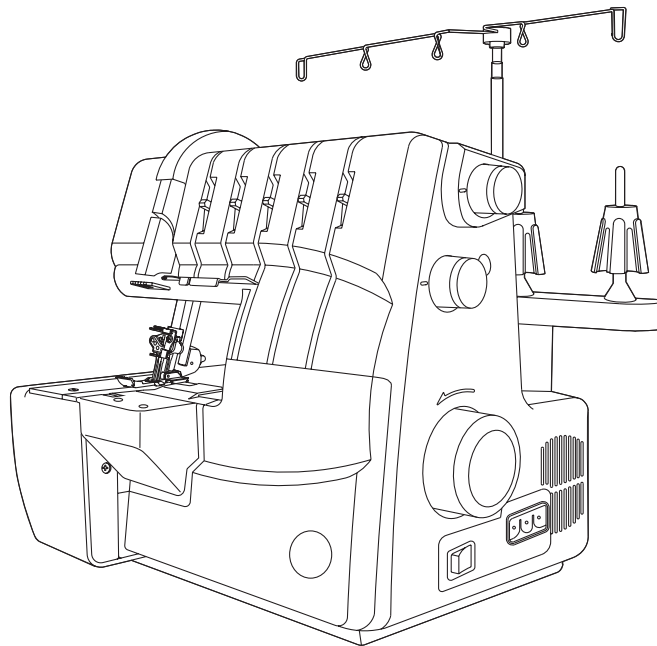




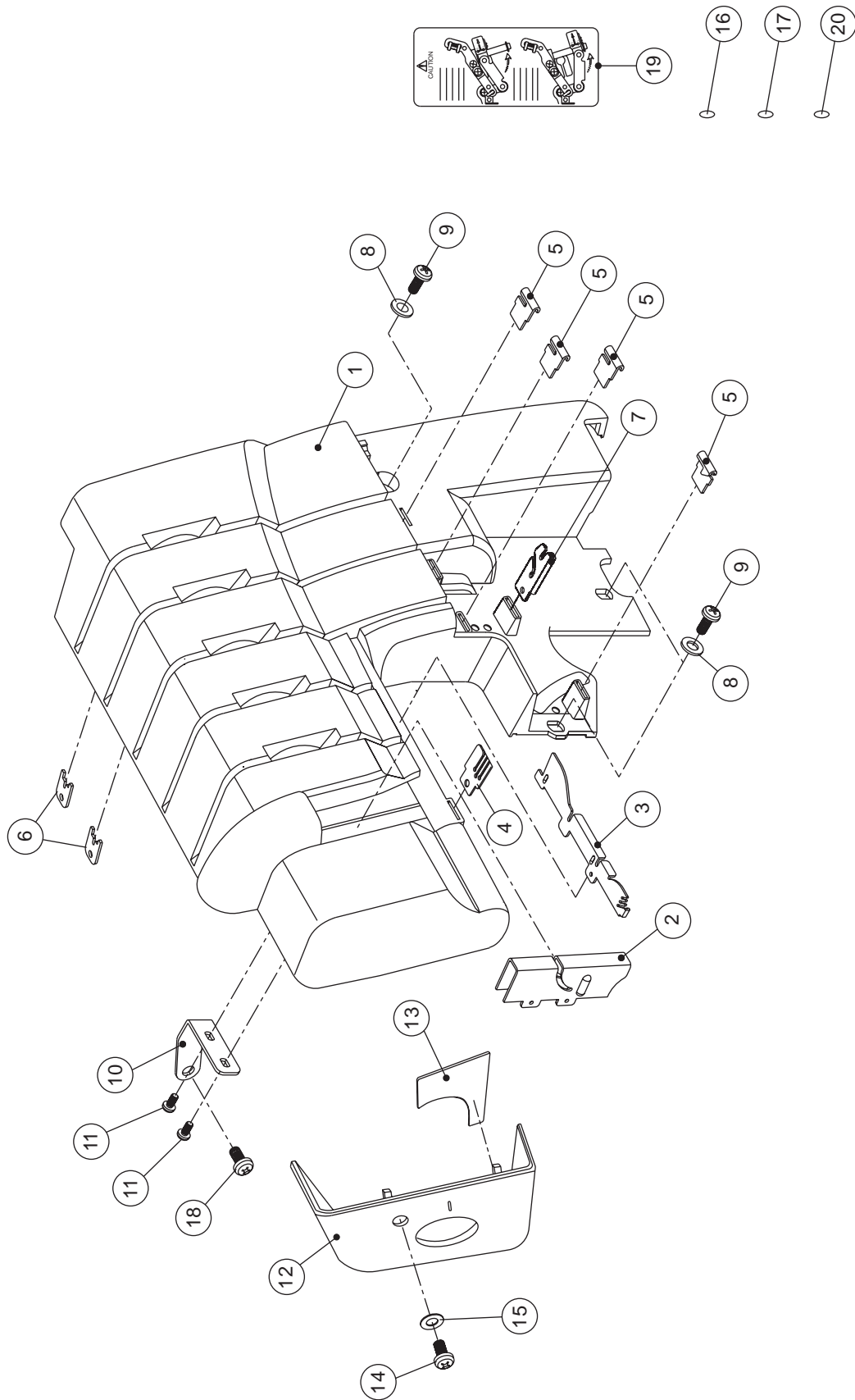
**SINGER®**

## Professional 5 14T4968DC

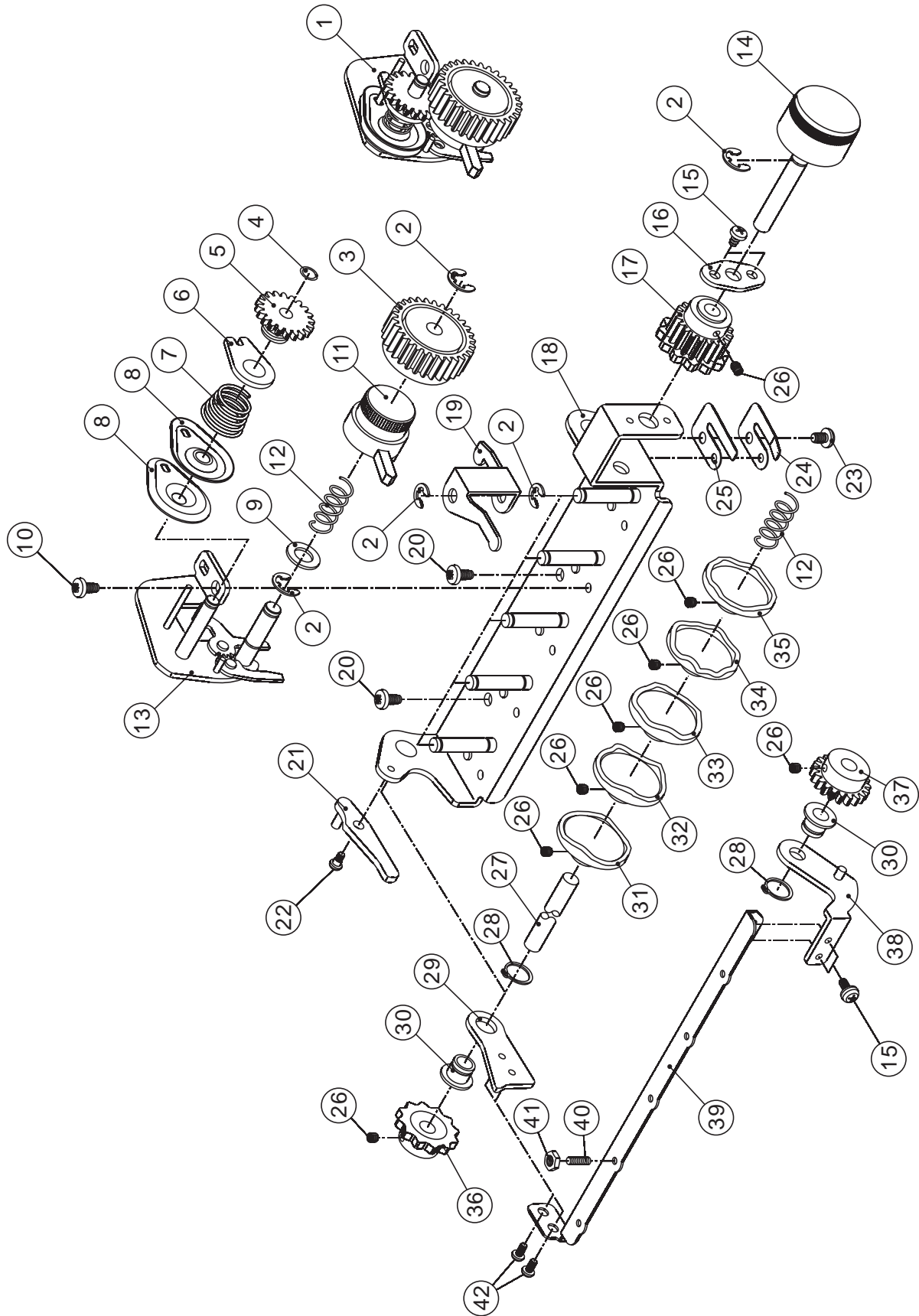


### Liste de pièces Lista de Piezas Parts List

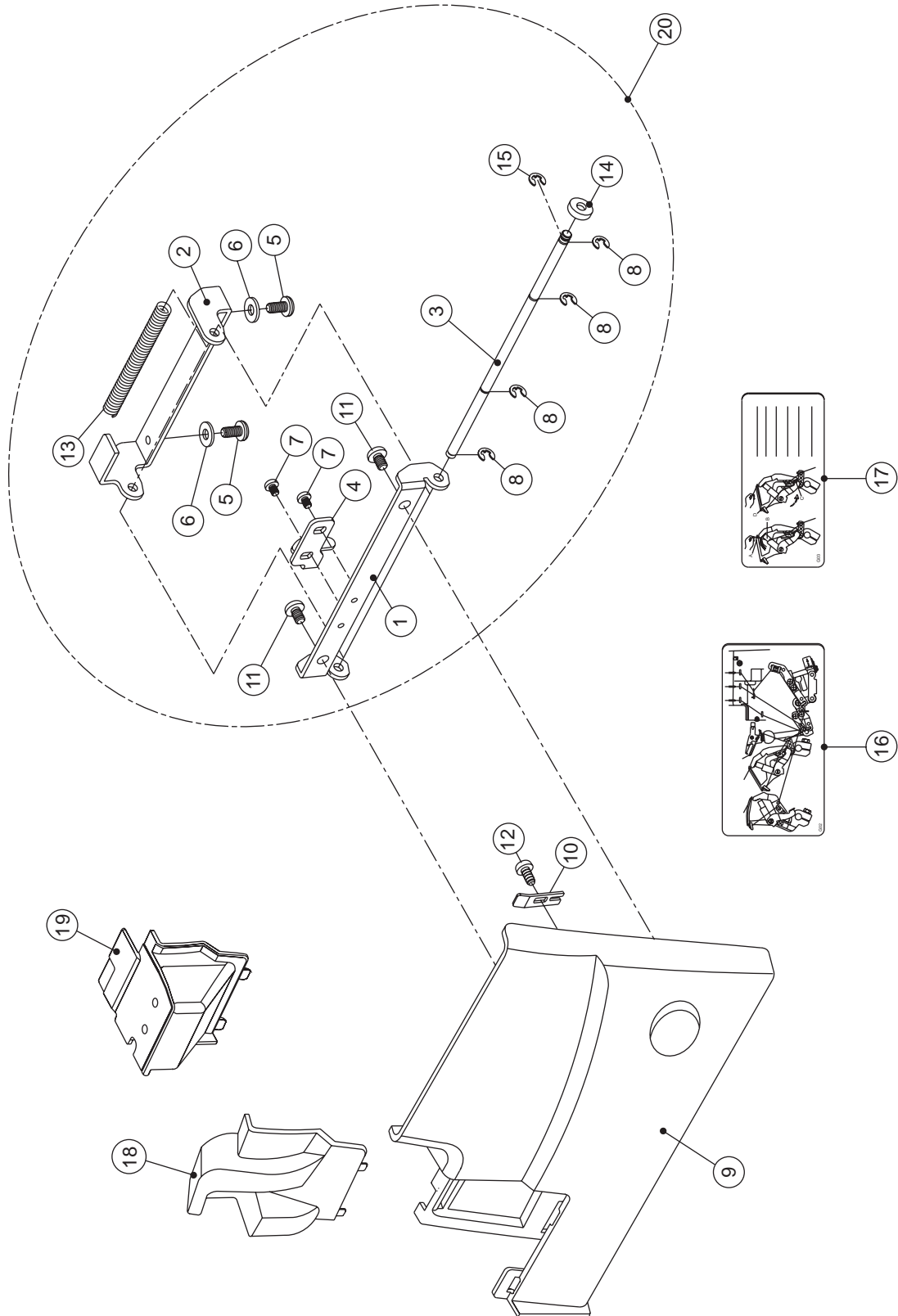
® A registered trademark of The Singer Company Ltd. or its affiliates.  
® **Una marca registrada de The Singer Company Ltd. o sus afiliados.**  
® *Une marca déposée de The Singer Company Ltd. ou ses filiales.*  
© 2010 Singer - All Rights Reserved.



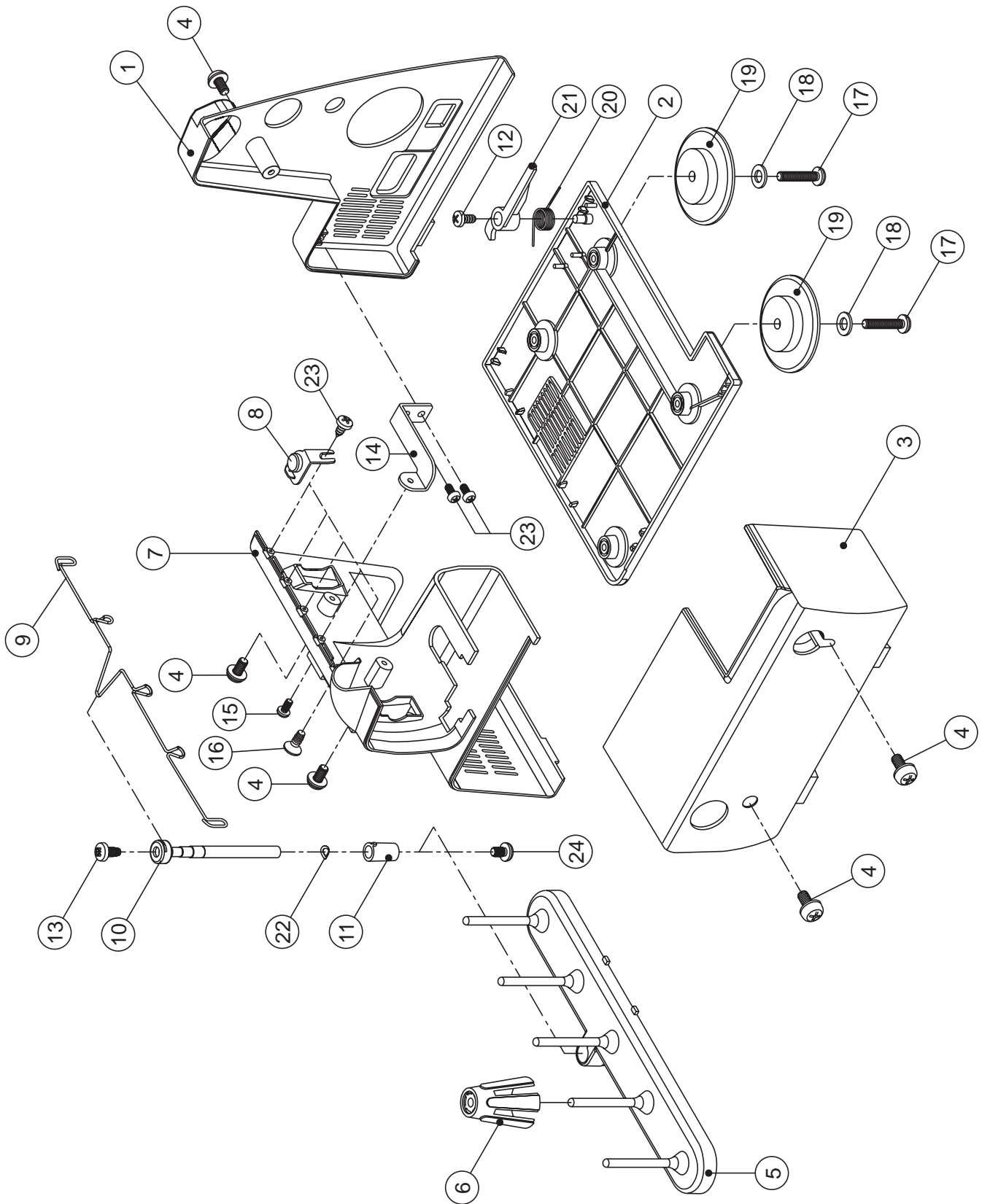
No.	Part No.	Description
1	G5031P001A	Front cover (No. 1.2.3.4.5.6.7.10.11.16.17.19.20 included)
2	G2050	Thread take-up cover
3	G1166	Thread guide (B)
4	G1280	Thread guide (C)
5	C10071004	Thread guide (F)
6	B10241004	Thread guide (D)
7	G6052	Lower looper thread guide (A)
8	W04F10A06	Washer
9	M04L08A06	Set screw
10	G1138	Front cover fixing board
11	M03L08C02	Set screw
12	G5007-567	Bulb cover
13	G2068	Lamp cover heatout plate
14	M03L06I04	Set screw
15	W03F07A06	Washer
16	A11481499	Color sticker (brown)
17	A11481235	Color sticker (red)
18	M04L4.5A04	Set screw
19	G5017	Warning sticker
20	A11481250	Color sticker (green)



No.	Part No.	Description
1	G6010-567A	Tension fine tuning dial set
2	E04T06A04	E ring
3	G6009	Tension fine tuning gear
4	G6032	ring
5	G6027	Tension regulate gear
6	G6026	Tension regulate Nut
7	G6035	Tension spring
8	G6025	Tension disc
9	W06F14A06	Washer
10	M04L05A06	Set screw
11	G6010-567	Tension fine tuning dial
12	G6028	spring
13	G3012-A01	Tension dial holder set
14	G6024P001	Auto tension dial selection
15	M03L04A03	Set screw
16	G6021	Auto tension dial selection shaft holder
17	G6016	Tension fixed gear
18	G6014-A	Tension dial holder
19	G6013	Tension transmitting arm
20	M04L08A06	Set screw
21	G6036	Tension restoring plate
22	G6037	Set screw
23	M04L4.5A04	Set screw
24	G6048	Spring
25	G6038	Spring
26	M04L04E01	Set screw
27	G6022	Tension cam shaft
28	C08T08A01	C ring
29	G6020	Restoring plate (B)
30	G6033	Restoring plate bushing
31	G6043	Tension cam (A)
32	G6044	Tension cam (B)
33	G6045	Tension cam (C)
34	G6046	Tension cam (D)
35	G6047	Tension cam (E)
36	G6034	Restoring gear
37	G6017	Tension gear
38	G6018	Restoring plate (A)
39	G6019	Restoring regulate plate
40	M03L07L01	Set screw
41	M03H02E06	Nut
42	M03L03A03	Set screw

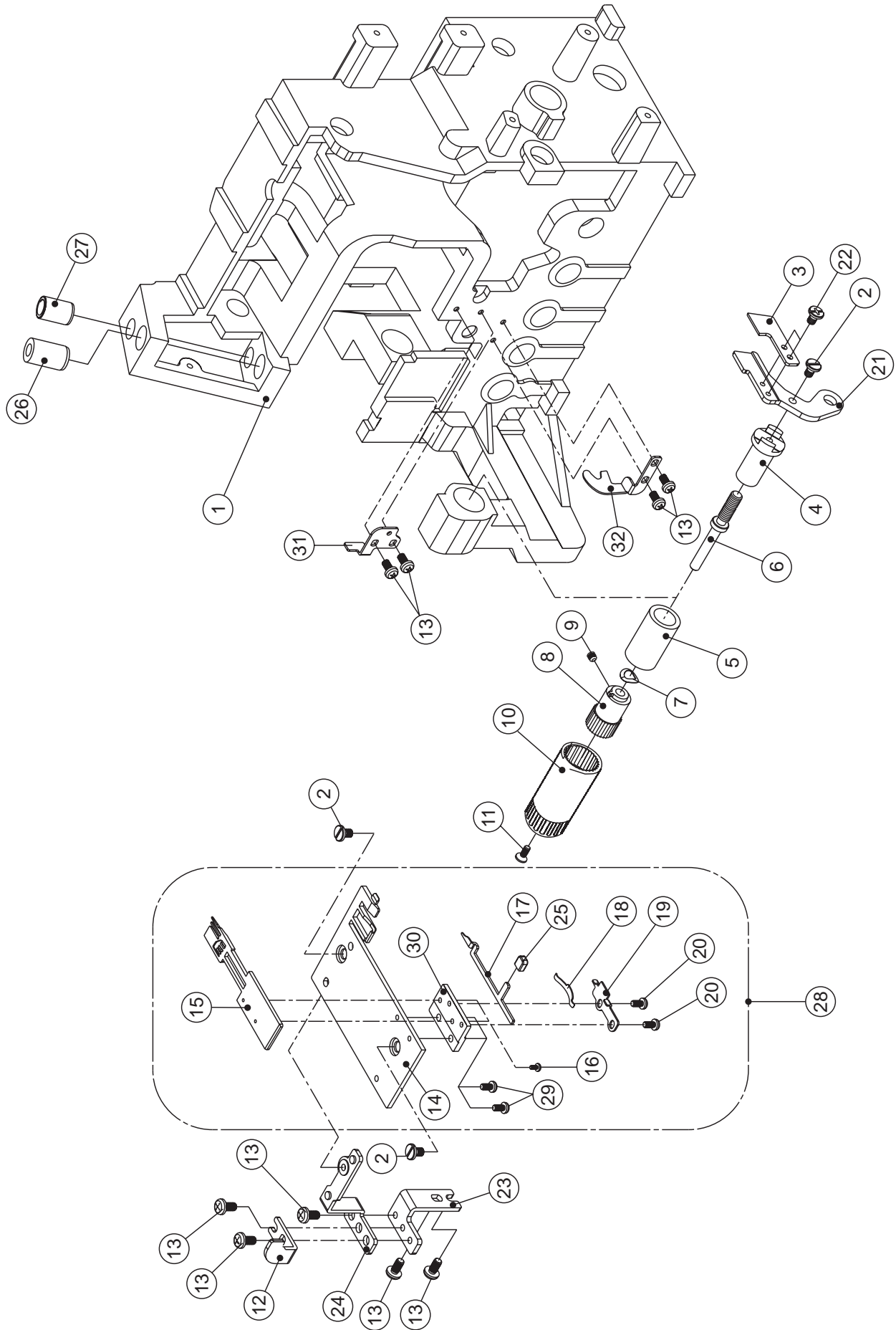


No.	Part No.	Description
1	G1202	Looper cover hinge (A)
2	G1201	Looper cover hinge (B)
3	G1204	Looper cover hinge shaft
4	G1203	Hinge locating board
5	M04L08A06	Set screw
6	W04F10A06	Washer
7	M03L04A03	Set screw
8	E03T06A04	E ring
9	G5002P001	Looper cover
10	B10271004	Looper cover setting plate
11	M04L10C06	Set screw
12	M03L08C02	Set screw
13	A11061001	Looper cover hinge spring
14	G1211	Connecting press plate
15	E03T06C04	E ring
16	G1015	Thread guide sticker (G02)
17	G5016	Thread guide sticker (G03)
18	G5006P001	Looper cover attached cover (A)
19	G5008-567	Looper cover attached cover (B)
20	G12014	Looper cover hinge set

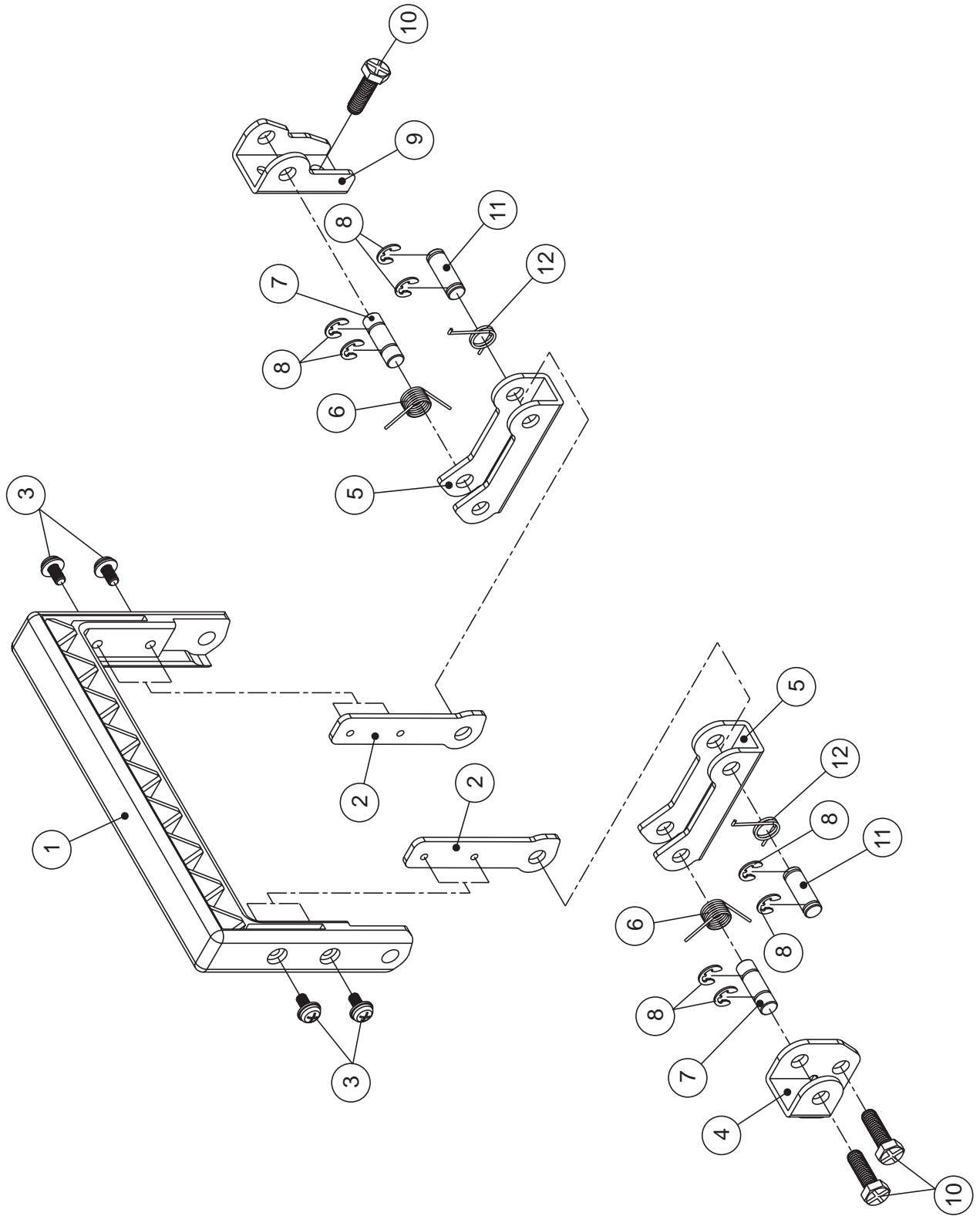




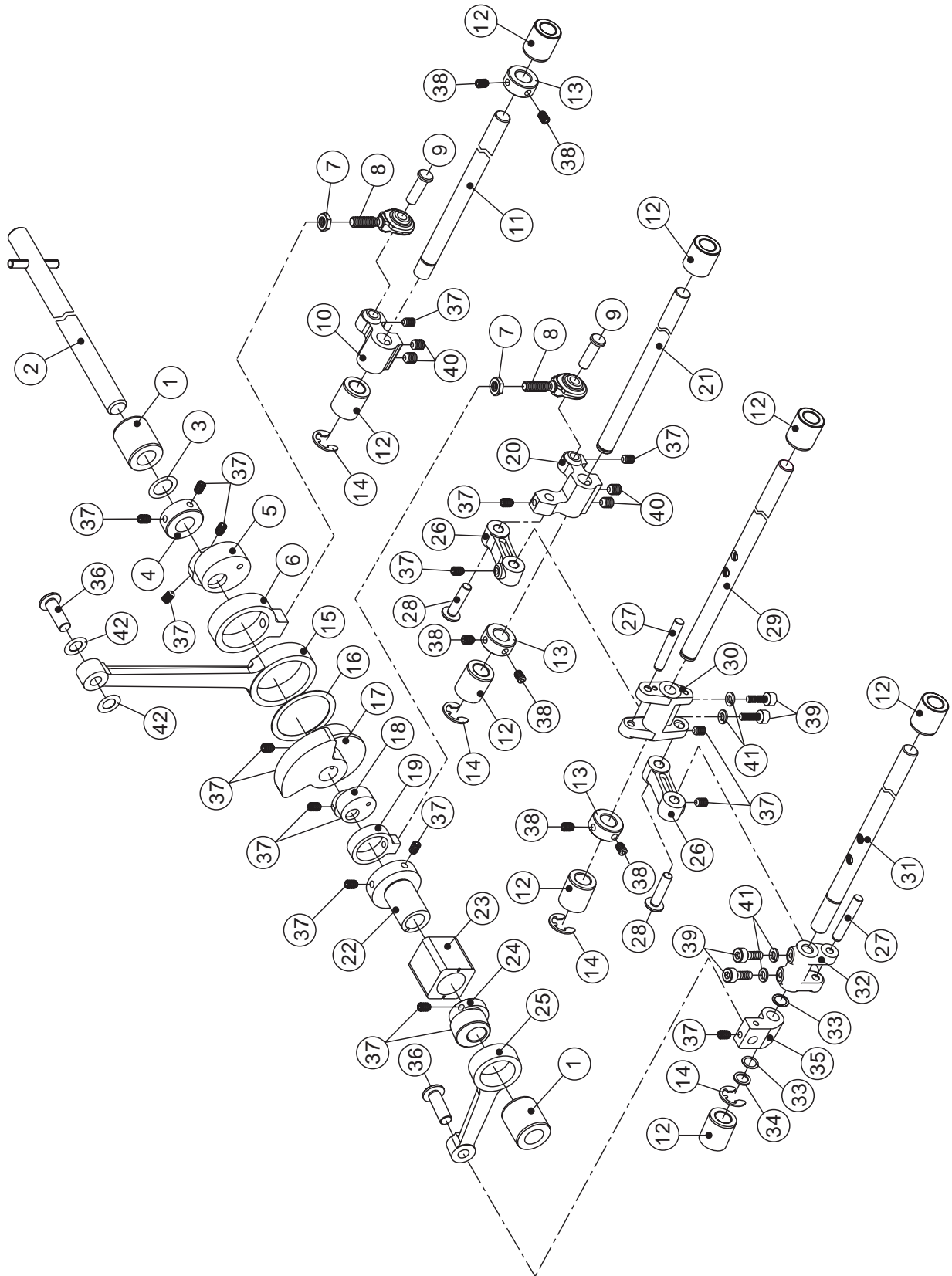
No.	Part No.	Description
1	G5032-567	Side cover
2	G1227-567	Base plate
3	G5005-567	Extension table
4	M04L10W08	Set screw
5	G1220-567	Spool stand
6	A1V011567	Cone holder
7	G5004-567	Back cover
8	G12842	Thread guide plate
9	G1252	Thread guide bar
10	B10422000	Extension bar
11	G1228-567	Extension bar setting
12	M03L08C02	Set screw
13	M04L08C04	Set screw
14	G1139	Side cover setting board
15	M03L06I04	Set screw
16	M04L12K04	Set screw
17	M04L22B06	Set screw
18	W04F10A06	Washer
19	A11251000	Rubber
20	G1208	Micro switch contactor spring
21	G1207	Micro switch contactor
22	W05W09A01	Wave washer
23	M03L08C02	Set screw
24	M04L12W08	Set screw



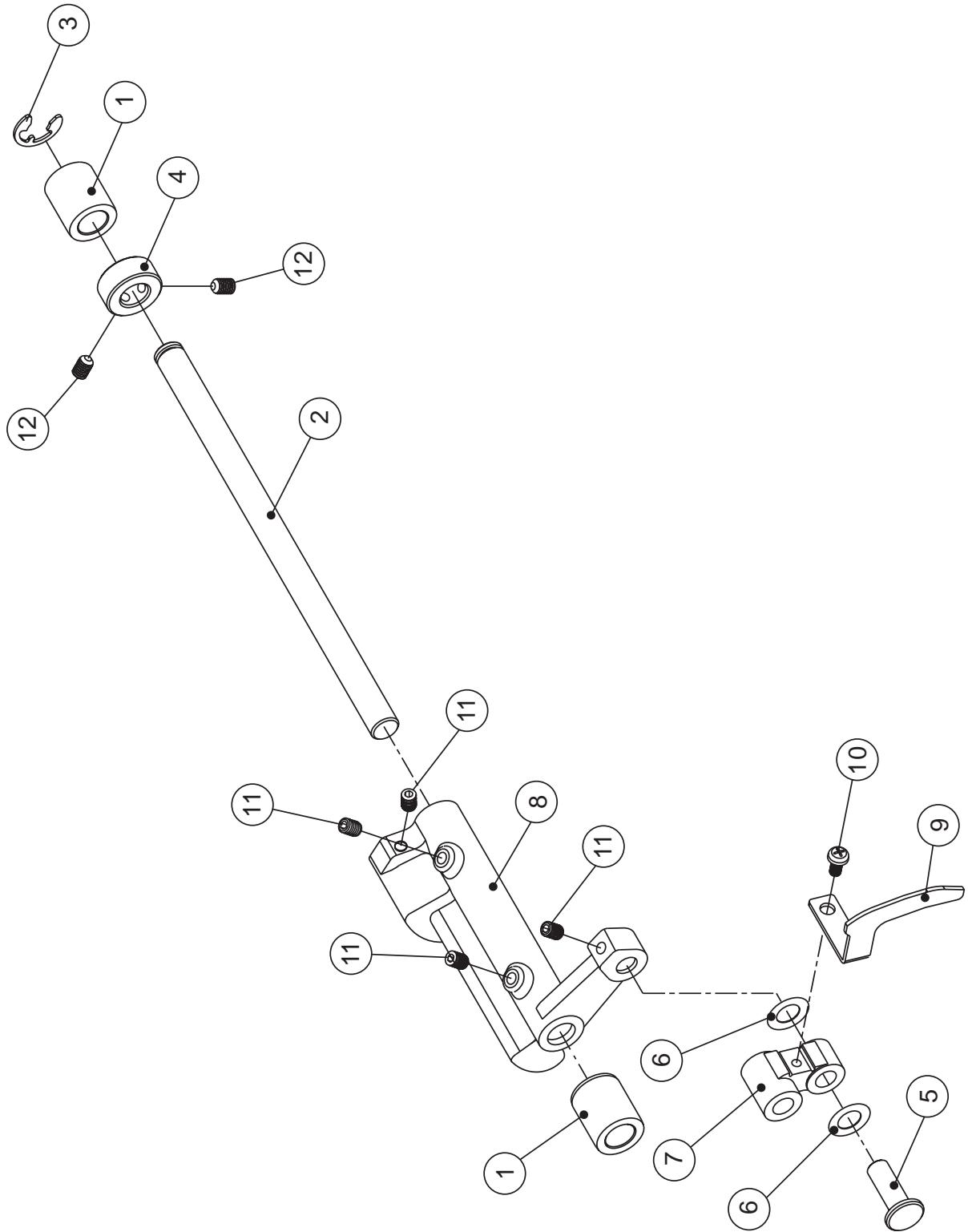
No.	Part No.	Description	SINGER Professional 5 - 14T968DC
1	N/A	Machine frame	
2	G1279	Set screw	
3	G1075	Lower knife	
4	G1072	Lower knife holder	
5	G1244	Lower knife holder bushing	
6	G1135	Cutting width knob shaft	
7	W05W09A01	Wave washer	
8	G2055	Cutting width knob	
9	M04L04E01	Set screw	
10	G5013P001	Lower knife dial	
11	M03L06I04	Set screw	
12	G1283	Front feed dog guide board	
13	M04L08A06	Set screw	
14	G1067	Stitch plate	
15	G1041	Fixed lever	
16	M02L04I04	Set screw	
17	G1068	Moving lever	
18	G1289	Locating spring	
19	G1132	Moving lever holder	
20	M03L03A03	Set screw	
21	G1245	Lower knife support	
22	M03L04A03	Set screw	
23	G1156	Needle plate locating board support	
24	G1155	Needle plate locating board	
25	B10141567	Moving lever cover	
26	A10371000	Needle bar bushing	
27	G1265	Presser bar bushing	
28	G1067A	Stitch plate set (No. 14.15.16.17.18.19.20.25.29.30 included)	
29	M03L05A03	Set screw	
30	G2091	Fixed board	
31	G1153	Feed dog holder guide board (front)	
32	G1154	Feed dog holder guide board (rear)	



No.	Part No.	Description
1	G1195-567	Handle
2	G1194	Handle holder
3	M03L08I04	Set screw
4	G1196	Handle supporter (A)
5	G1192	Handle link
6	G1197	Handle spring (B)
7	G1200	Handle link pin (B)
8	E04T06A04	E ring
9	G1193	Handle supporter (B)
10	M05L08M02	Set screw
11	G1198	Handle link pin (A)
12	G1199	Handle spring (A)

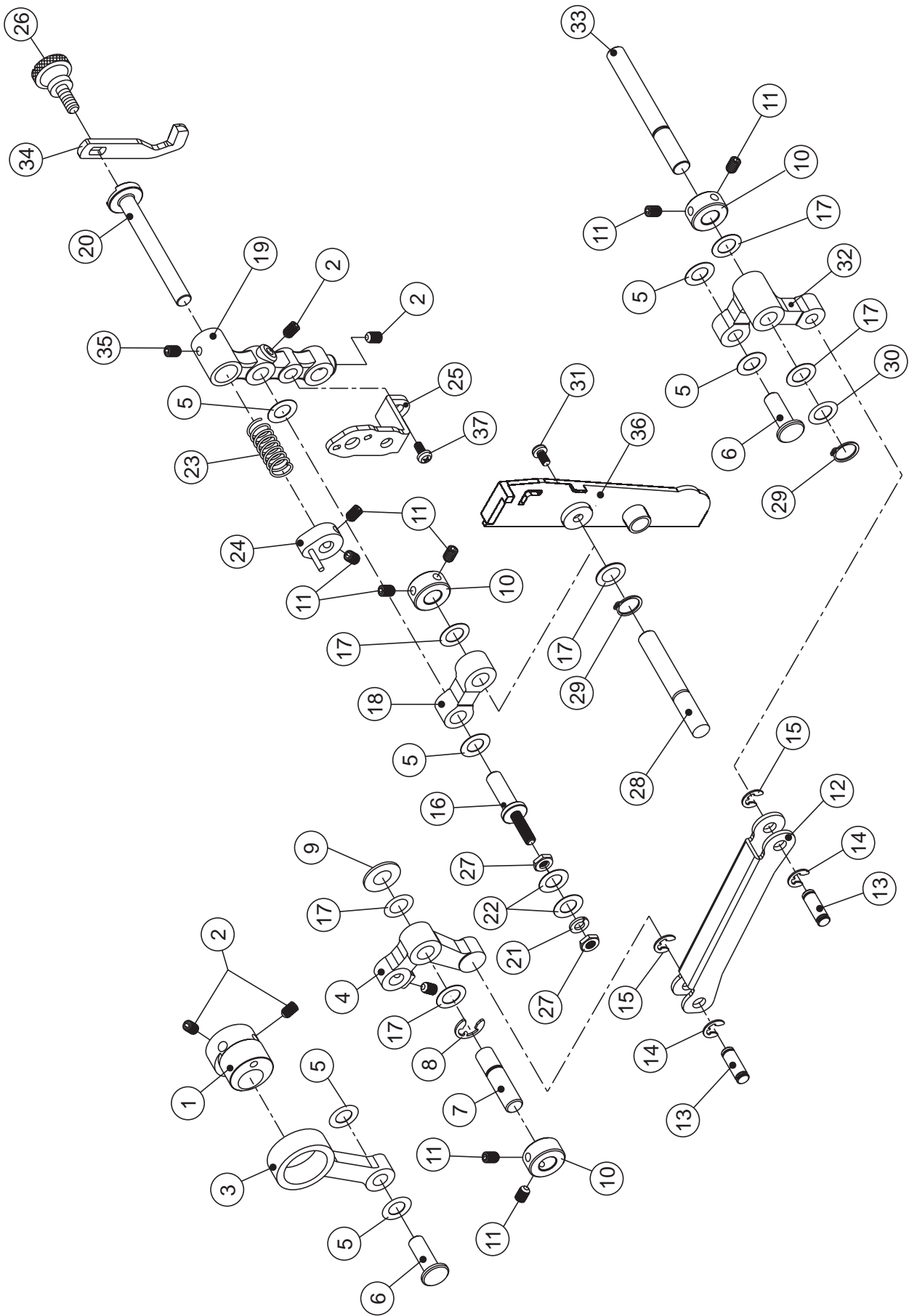


No.	Part No.	Description
1	A10351000	Main shaft bushing
2	G10602	Main shaft set
3	W10T15A00	Washer
4	A10951001	Setting collar
5	A1157-1	Looper cam (A)
6	A1007-1	Looper link
7	M05H38A06	Nut
8	A11241000	Bearing
9	A10791000	Looper shaft link pin
10	G1032	Looper shaft link
11	G1062	Upper looper shaft
12	G1040	Looper shaft bushing
13	A10961001	Setting collar
14	E06T08A04	E ring
15	G1037	Needle bar connecting bar
16	W28T34A00	Washer
17	G1034	Needle bar cam
18	G1035-1	Lower looper cam
19	G1029-1	Looper link (B)
20	G1011	Looper shaft link
21	G1058	Cover stitch driving shaft
22	G1042	Feed dog cam
23	G1043	Feed dog supporter slide block
24	G1036	Cover stitch looper cam
25	G3015	Cover stitch link
26	G1012	Waver link bar
27	G1031	Waver link bar pin (B)
28	G1013	Waver link bar pin (A)
29	G3017	Lower looper shaft
30	G3014	Lower looper shaft link (B)
31	G3018	Cover stitch shaft
32	G1016	Waver stitch shaking arm
33	W08T12A00	Washer
34	W08F12A01	Washer
35	G3016	Shaft driving support
36	A10831000	Feed dog link pin (B)
37	M04L06E01	Set screw
38	M04L04E01	Set screw
39	M04L12F01	Set screw
40	M05L06E01	Set screw
41	W04S13A06	Washer
42	W06T11A00	Washer

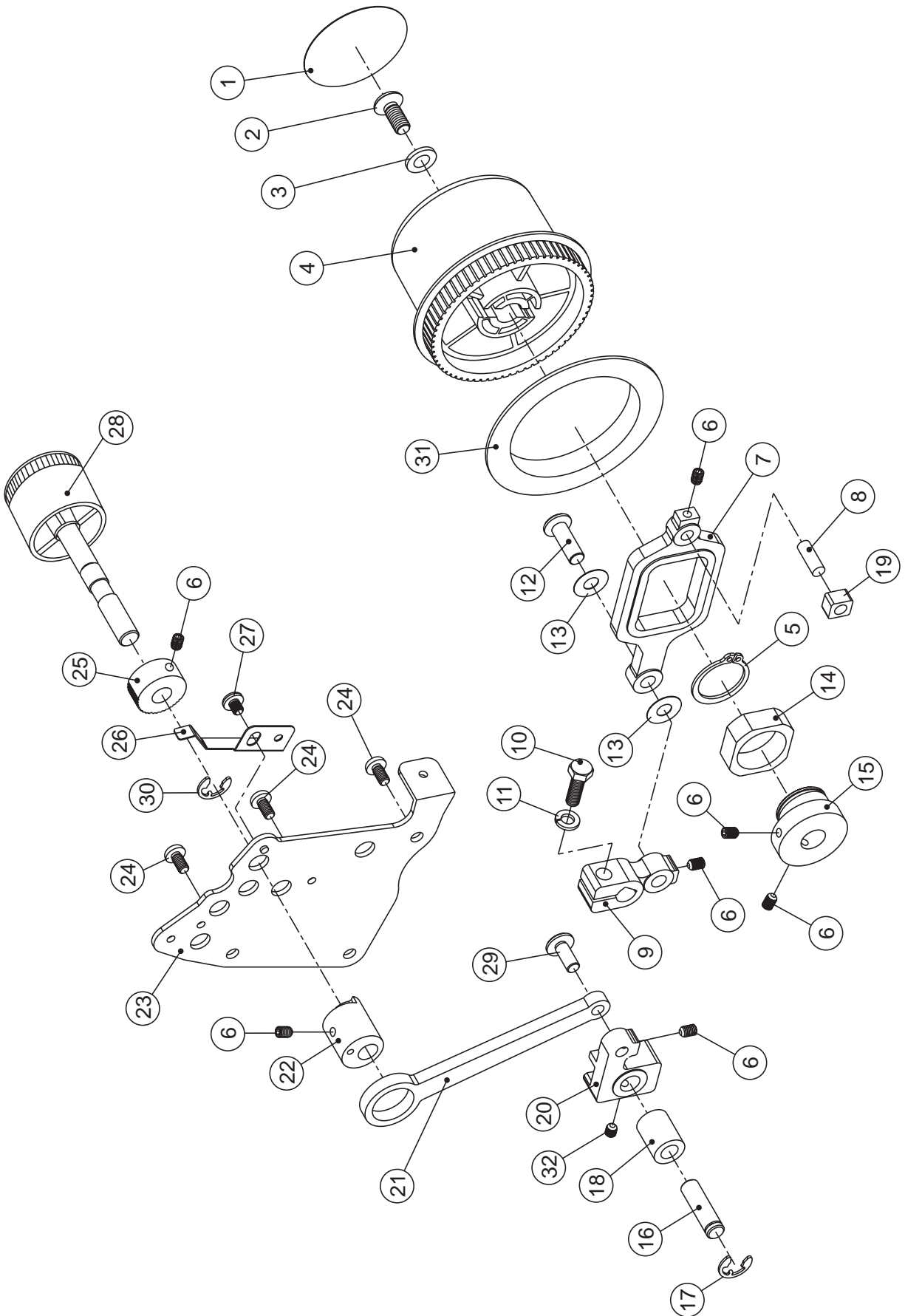




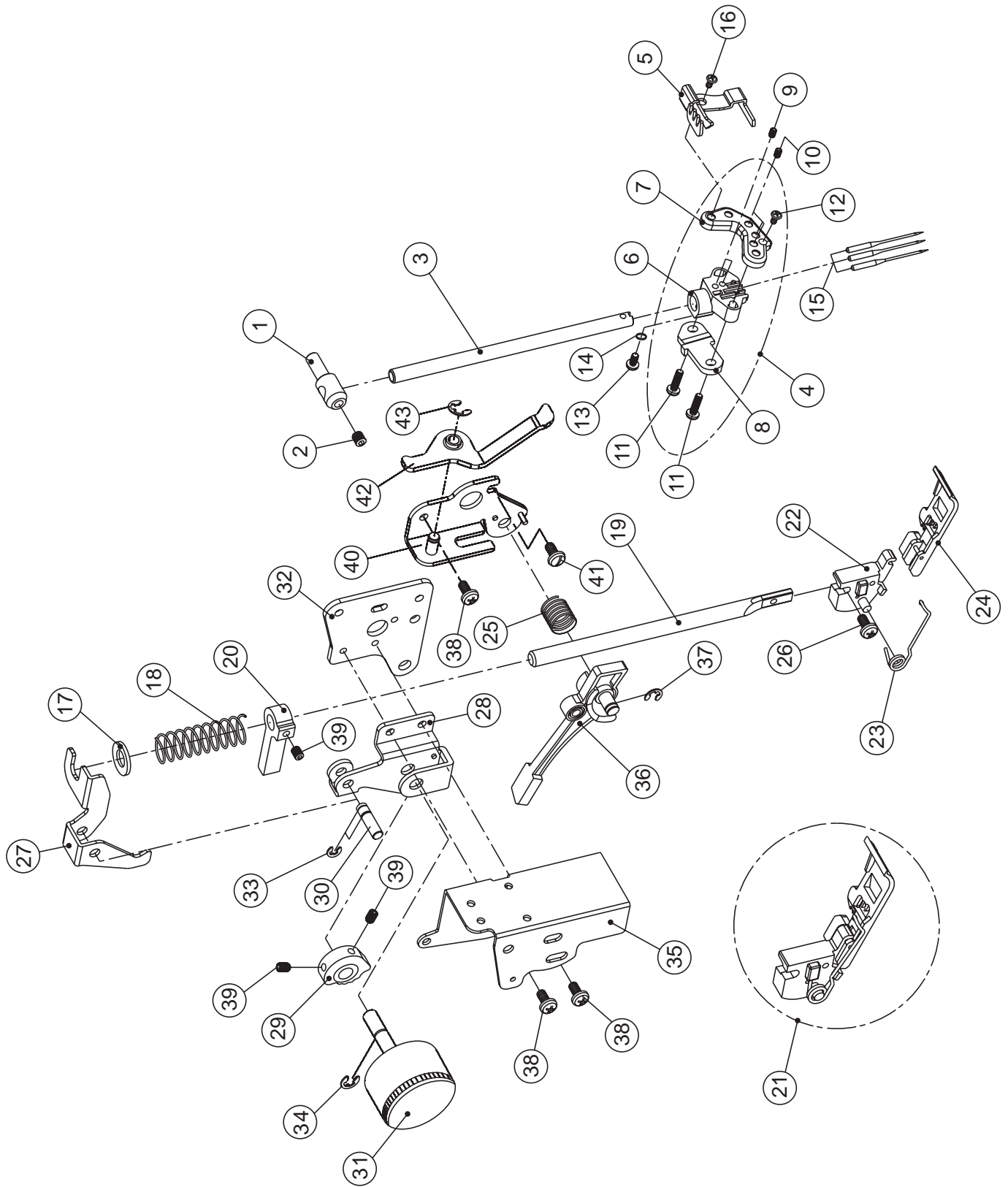
No.	Part No.	Description
1	G1040	Looper shaft bushing
2	G1170	Needle bar link shaft
3	E06T08A04	E ring
4	A10961001	Setting collar
5	A10831000	Feed drive link pin (B)
6	W06T11A00	Washer
7	G1089	Needle bar connecting arm
8	G1087	Needle bar crank
9	G2056	Needle bar thread take-up lever
10	M03L06I04	Set screw
11	M04L06E01	Set screw
12	M04L04E01	Set screw



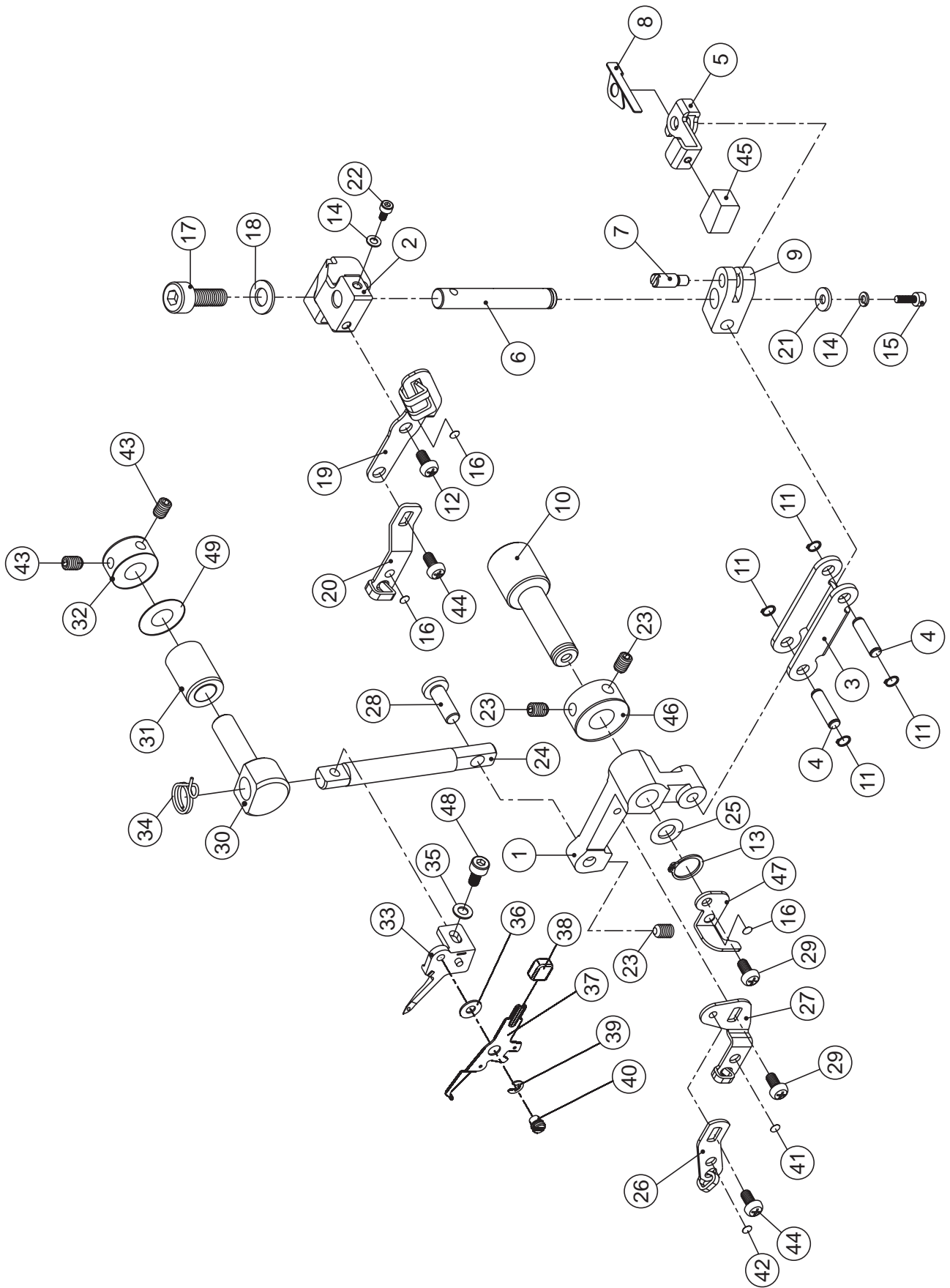
No.	Part No.	Description
1	G1084	Upper knife cam
2	M04L06E01	Set screw
3	G1081	Upper knife shake link
4	G1082	Upper knife shake arm
5	W06T11A00	Washer
6	A10831000	Feed drive link pin (B)
7	G1225	Upper knife shake arm shaft
8	E06T08A04	E ring
9	W07F15A06	Washer
10	A10941001	Setting collar
11	M04L04E01	Set screw
12	G1083	Upper knife link
13	G1236	Upper knife link pin
14	E04T06A04	E ring
15	E04T06C04	E ring
16	G1143	Upper knife arm shaft
17	W07T12A00	Washer
18	G1073	Upper knife arm support bar
19	G1074	Upper knife arm
20	G2035	Upper knife holder
21	W04S13A06	Spring washer
22	W04F10A06	Washer
23	G1140	Upper knife spring
24	G11412	Upper knife setting collar
25	G1142	Upper knife holder support
26	G1206	Set screw
27	M04H30A03	Nut
28	G1133	Upper knife arm support bar shaft
29	C07T08A01	C ring
30	W07F12A01	Washer
31	M03L06I04	Set screw
32	G1078	Upper knife arm drive arm
33	G1146	Upper knife shake arm shaft
34	G1076	Upper knife
35	M03L04L01	Set screw
36	G5009-567	Upper knife set cover
37	M04L08A06	Set screw



No.	Part No.	Description
1	A11151211	Handwheel decorate plate
2	M06L12I06	Set screw
3	W06F19A06	Washer
4	A11401567	Handwheel
5	C20T12A01	C ring
6	M04L06E01	Set screw
7	A10171000	Feed drive link
8	A10821000	Feed drive link pin (A)
9	G1159	Feed link
10	M05L15M02	Set screw
11	W05S13A06	Spring washer
12	A10831000	Feed drive link pin (B)
13	W06T11A00	Washer
14	A10161000	Feed cam slide block
15	A10181000	Feed cam
16	A10861001	Feed regulate holder shaft
17	E05T06A04	E ring
18	A10411000	Feed regulate holder bushing
19	G1099	Feed slide block
20	G1098	Feed slide holder
21	A10121000	Feed regulate link
22	G1090	Feed regulate cam
23	G2031	Feed regulate holder
24	M04L08A06	Set screw
25	G1268	Locating collar
26	G1257	Locating spring
27	M04L4.5A04	Set screw
28	G1104P001	Stitch length dial
29	A10741000	Feed regulate link pin
30	E06T08A04	E ring
31	B10651567	Handwheel setting collar
32	M04L04E01	Set screw

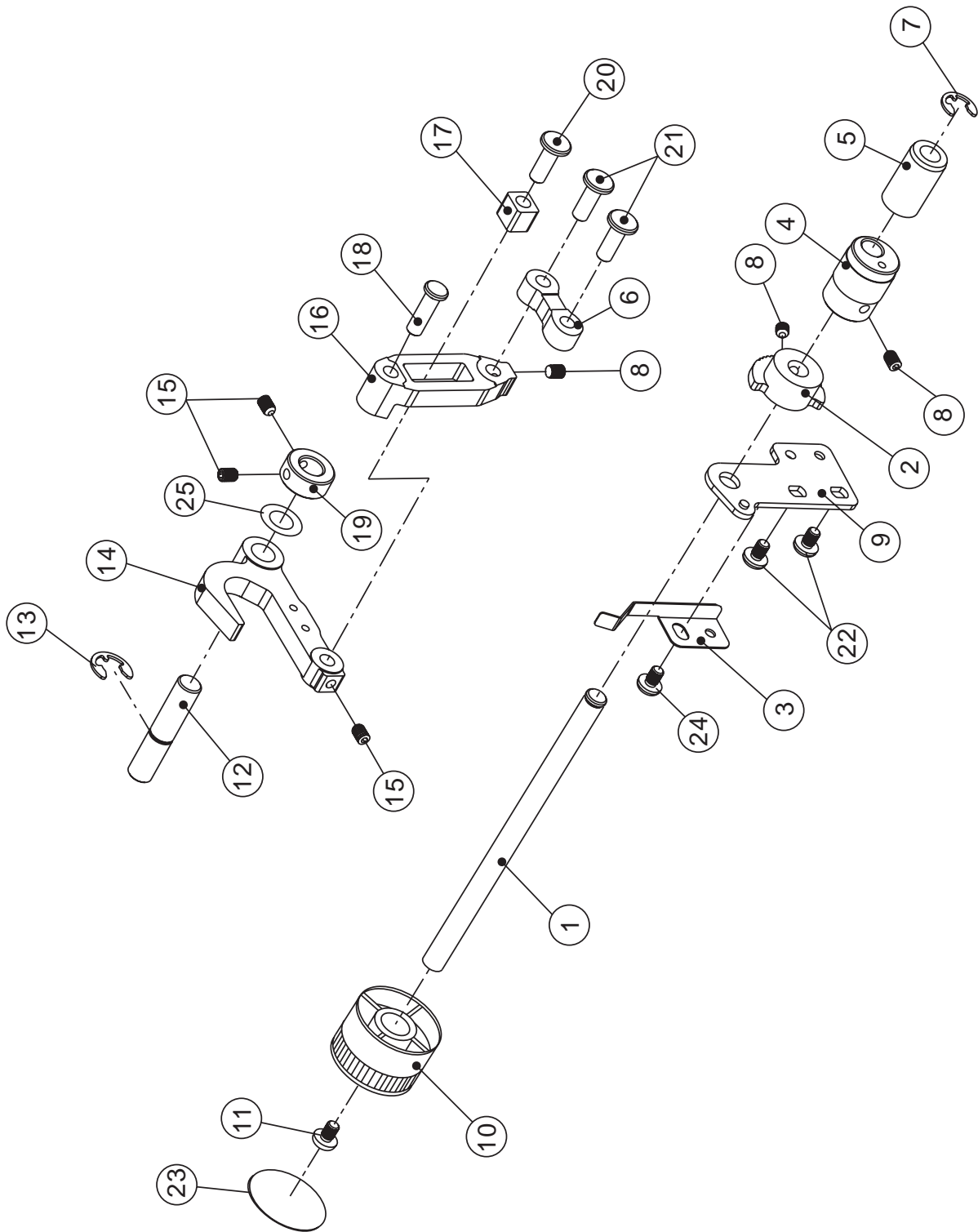


No.	Part No.	Description
1	G1088	Needle bar setting link
2	M05L06E01	Set screw
3	G1286	Needle bar
4	G12462	Needle clamp complete set
5	G1249	Needle clamp thread guide
6	G1246	Needle clamp
7	G1247	Needle clamp lower board
8	G1248	Needle clamp upper board
9	M03L06H01	Set screw
10	M03L04H01	Set screw
11	M03L14B03	Set screw
12	M02L04I04	Set screw
13	010807A03	Set screw
14	W03S13I04	Washer
15	A1K044000	Needle
16	M03L06I04	Set screw
17	W07F15A06	Washer
18	G2066	Presser bar spring
19	G1266	Presser bar
20	G2016	Presser bar setting link
21	G12882	Presser foot complete set
22	A1A021004	Presser foot holder
23	G1022	Presser foot spring
24	G1288	Presser foot
25	G2020	Presser bar lifter spring
26	096408A04	Set screw
27	G1185	Needle bar locate board
28	G1186	Needle bar locate support
29	G1187	Needle bar locate cam
30	G1188	Needle bar locate pin
31	G5011P001	Presser bar dial
32	G2015	Support setting board
33	E04T06A04	E ring
34	E06T08A04	E ring
35	G1191	Bulb holder
36	G1298	Presser bar lifter
37	E05T06A04	E ring
38	M04L08A06	Set screw
39	M04L06E01	Set screw
40	G60302	Presser bar lifter holder
41	G1279	Set screw
42	G60312	Release plate
43	E03T06A04	E ring

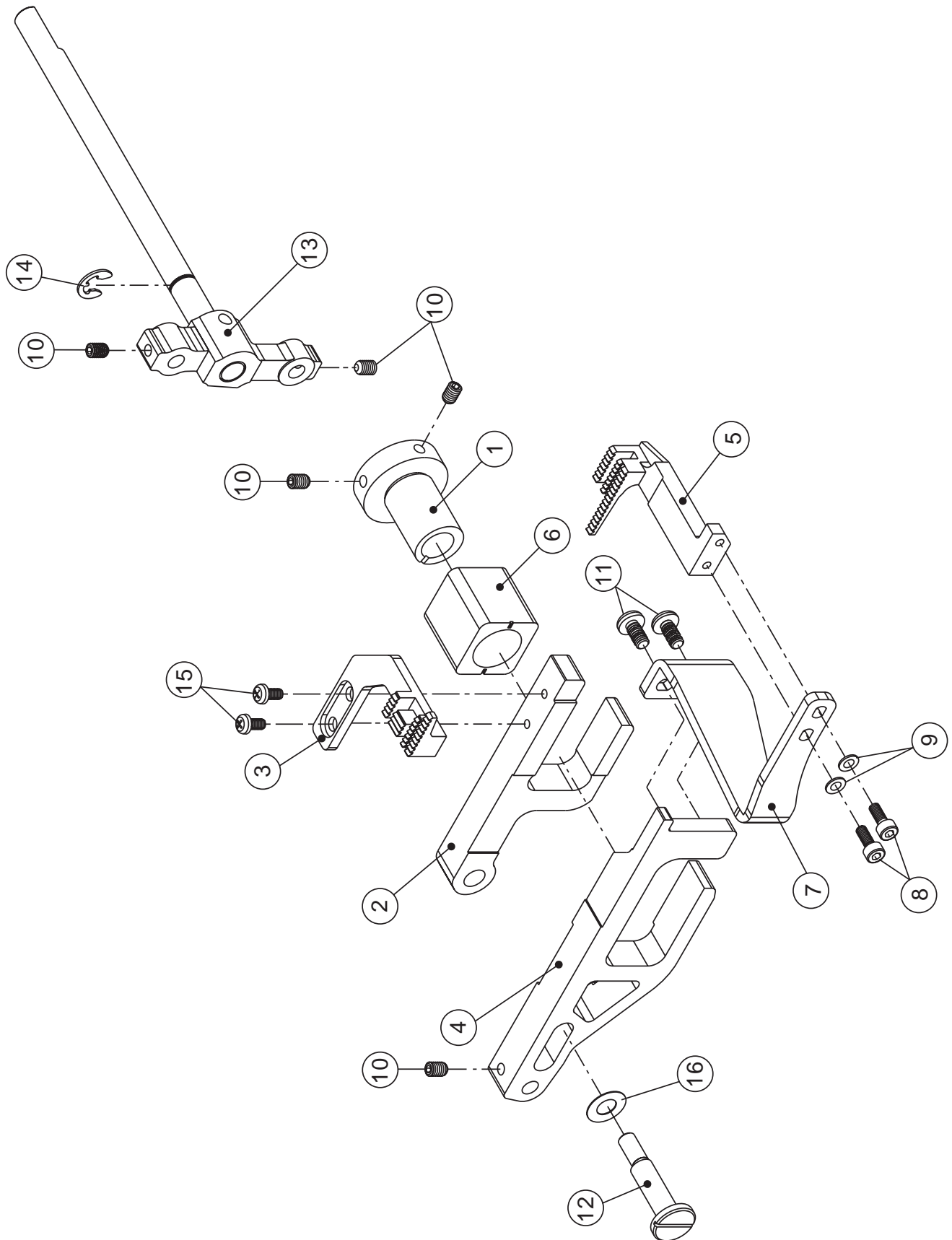




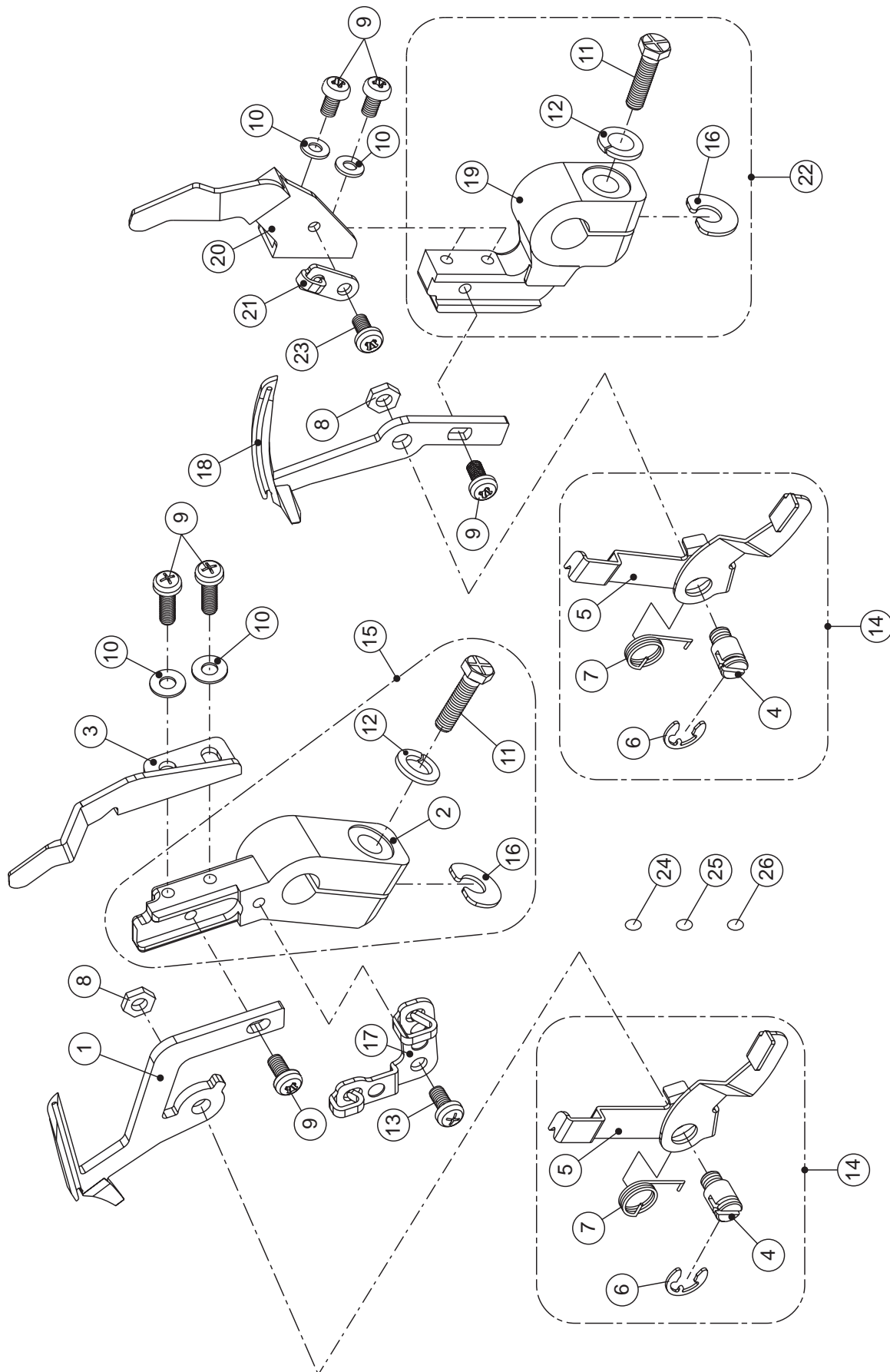
No.	Part No.	Description
1	G1005	Upper looper connecting arm
2	G1003	Waver supporter
3	G1004	Waver slide block link
4	G1015	Waver slide block pin
5	G1006	Waver slide block
6	G1007	Waver shaft
7	G1008	Waver slide block pin
8	G1009	Waver slide block locating spring
9	G1010	Waver slide block
10	G1061	Slide shaft holder
11	C04T04A01	C ring
12	M04L4.5A04	Set screw
13	C08T08A01	C ring
14	W03S13I04	Washer
15	M03L06F01	Set screw
16	A11481499	Color sticker (brown)
17	M05L16F01	Set screw
18	W05S13A06	Washer
19	G1253	Cover stitch looper thread take-up lever (A)
20	G1267	Cover stitch looper thread take-up lever (B)
21	G1017	Washer
22	M03L10F01	Set screw
23	M04L06E01	Set screw
24	G1263	Slide shaft
25	W08F12A02	Washer
26	G1239	Upper looper thread take-up lever
27	G1254	Lower looper thread take-up lever
28	G1296	Slide shaft pin
29	M03L06I04	Set screw
30	G1085	Slide shaft holder
31	G1086	Slide shaft holder bushing
32	A10941001	Setting collar
33	G1261	Upper looper
34	G1271	Upper looper threading guide
35	W03F07B03	Washer
36	W03F07A06	Washer
37	G1262	Two thread converter
38	B10141567	Moving lever cover
39	E03T06A04	E ring
40	G1264	Set screw
41	A11481235	Color sticker (red)
42	A10481250	Color sticker (green)
43	M04L04E01	Set screw
44	M03L03A03	Set screw
45	G1080	Locating board cover
46	A10961001	Setting collar
47	G1030	Cover stitch looper thread take-up(A)
48	M03L08F01	Set screw
49	W07T12A00	Washer



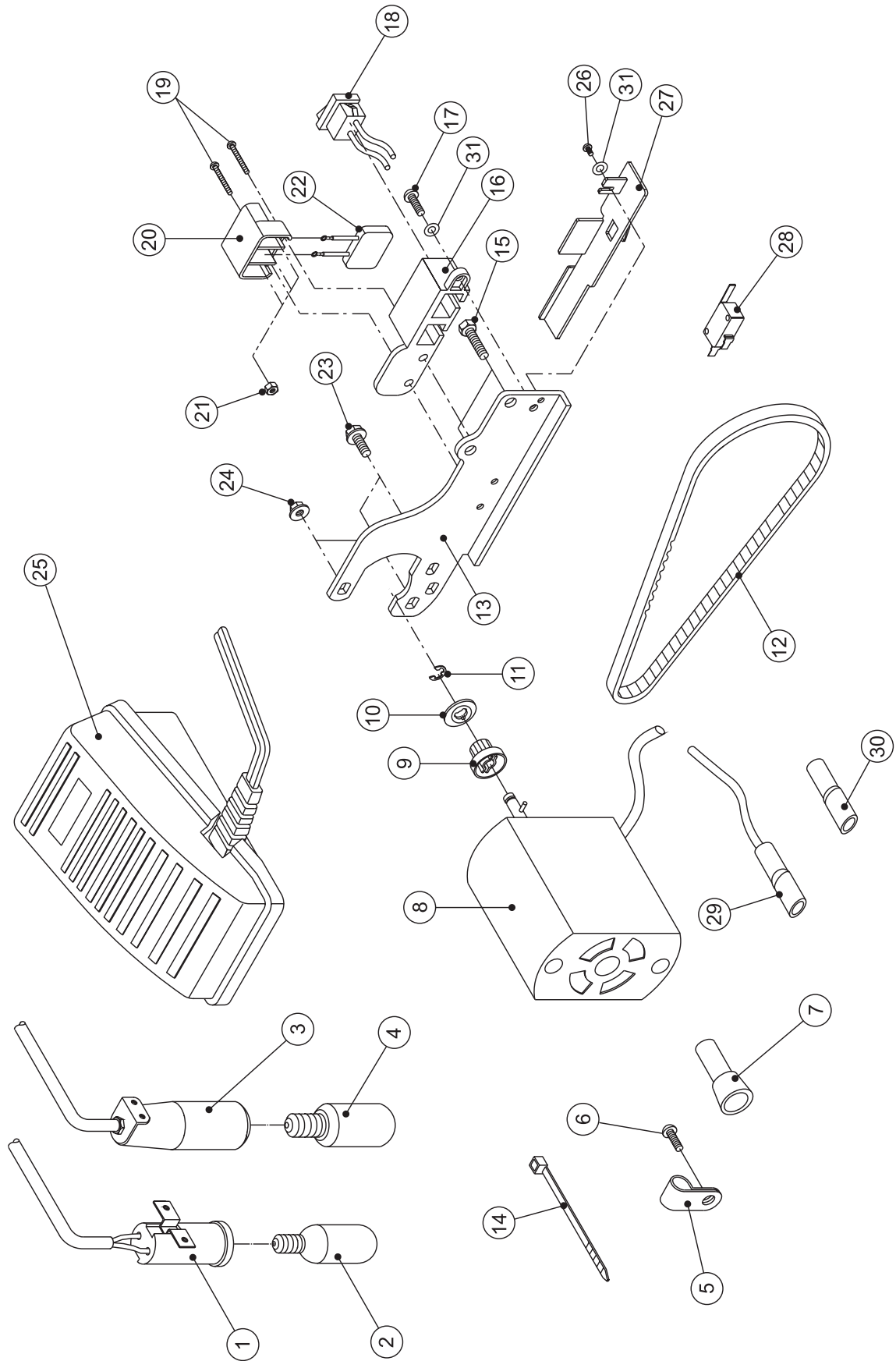
No.	Part No.	Description
1	G1053	D.F. shaft
2	G1256	D.F. locating collar
3	G1257	D.F. dial locating spring
4	G1052	D.F. regulate cam
5	A4010-1	D.F. dial bushing
6	G1047	D.F. link bar
7	E05T06A04	E ring
8	M04L06E01	Set screw
9	G1164	D.F. dial support
10	G1272P001	D.F. dial
11	M03L06I04	Set screw
12	G1054	D.F. regulate shaft
13	E06T08A04	E ring
14	G1051	D.F. regulate support
15	M04L04E01	Set screw
16	G1045	D.F. slide support
17	G1046	D.F. slide block
18	G1055	Feed dog holder pin
19	A10961001	Setting collar
20	A10791000	D.F. slide block pin
21	G1050	D.F. link pin
22	M04L08A06	Set screw
23	G1273	Dial cup
24	M04L4.5A04	Set screw
25	W08T12A00	Washer



No.	Part No.	Description
1	G1042	Feed dog cam
2	G1044	Feed dog holder (rear)
3	G1065	Feed dog (rear)
4	G1049	Feed dog holder (front)
5	G1066	Feed dog (front)
6	G1043	Feed dog supporter slide block
7	G1069	Feed dog supporter (front)
8	M03L08F01	Set screw
9	W03F07B03	Washer
10	M04L06E01	Set screw
11	M04L08A02	Set screw
12	G1056	Feed dog holder pin
13	G10482	Feed dog shaking rod complete set
14	E07T08A04	E ring
15	M03L08I01	Set screw
16	W06T13A00	Washer

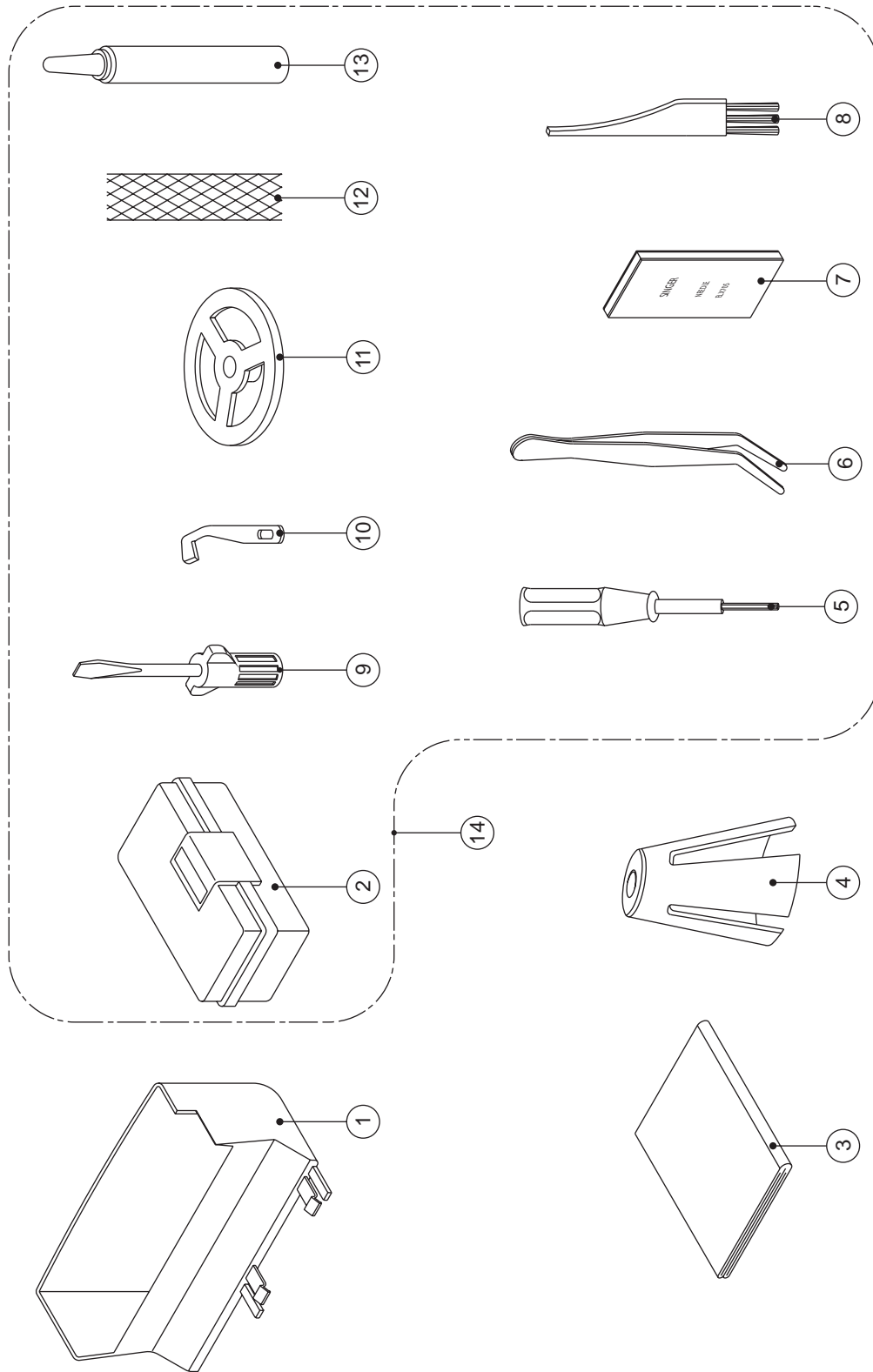


No.	Part No.	Description
1	G1152	Lower looper
2	G1151	Lower looper supporter
3	G1260	Lower looper protect board
4	G1149	Auto threader shaft
5	G1148	Auto threader
6	E04T06A04	E ring
7	A30051001	Auto threader spring
8	G2069	Nut
9	M03L08I01	Set screw
10	W03F07B03	Washer
11	M05L18M02	Set screw
12	W05S13A06	Spring washer
13	M03L06I04	Set screw
14	G11482	Auto threader complete set
15	G11512	Lower looper supporter set
16	G1287	Washer
17	G1270	Lower looper thread guide
18	G1070	Cover stitch looper
19	G1071	Cover stitch looper supporter
20	G1259	Cover stitch looper protect board
21	G1269	Cover stitch looper thread guide
22	G10712	Cover stitch looper supporter set
23	M03L03A03	Set screw
24	A11481250	Color sticker (green)
25	A11481235	Color sticker (red)
26	A11481499	Color sticker (brown)





No.	Part No.	Description
1	EE003	Lighting set (100V)
1	EE001	Lighting set (120V)
2	EE0161000	Bulb (100V)
2	EE0171000	Bulb (120V)
3	EE002	Lighting set (240V) (Available for 220V/230V/240V)
4	EE0181000	Bulb (240V) (Available for 220V/230V/240V)
5	EE0201000	HW(1/4) cord clip
	EE032	(HW(5/16) cord clip for
6	M04L08A06	Set screw
7	EE0191000	C4 End terminal
8	3M-803A404	Motor (100V)
8	KM-6390U	Motor (120V)
8	WM-298I-9	Motor (220V~230V)
8	WM-298-9	Motor (240V)
9	A11411000	Timing belt pulley
10	A11421000	Timing belt pulley cover
11	E04T06A04	E ring
12	A1O011000	Timing belt
13	A10881001	Motor supporter
14	EE0112004	Cord clip
15	M05L15M02	Set screw
16	A11431567	Switch supporter
17	M04L10A06	Set screw
18	EE0112000	Switch
19	M6837	Set screw
20	M6834Z	Machine socket
21	M9828	Nut
22	KC98-18A	Condenser
23	M9815A	Set screw
24	M6844A	Nut
25	4C-315A221	Foot controller (100v) Japan
25	4C-316B22	Foot controller (120v) U.S.A.
25	4C-326C22	Foot controller (220v) South Africa
25	4C-316C24	Foot controller (220v) Korea
25	4C-316C28	Foot controller (220v) the Middle East
25	4C-326G22	Foot controller (230v) Europe
25	4C-326C25	Foot controller (240v) U.K.
25	4C-326C23	Foot controller (240v) Australia & New Zealand
26	M03L06I04	Set screw
27	G1238	Micro switch insulation plate
28	EE004	Micro switch
29	EE0501000	Terminal w/transparent insulation tube
30	EE0511184	Terminal w/un-transparent insulation tube
31	W04F10A06	Washer



No.	Part No.	Description
1	G2064-567	Chip box
2	G2071	Accessory box
3	A1U011000	Dust cover
4	A1V011567	Cone holder
5	B1H011001	Hexagon driver
6	A1G011000	Tweezers
7	A1J053000	Needle x 5
8	A1I011000	Cleaning brush
9	A1F011211	Screw driver
10	G1076	Upper knife
11	A1C011567	Spool caps
12	A1L011000	Net
13	A1E011000	Oiler
14	G2071B	Accessory box set (No.2.5.6.7.8.9.10.11.12.13 included)