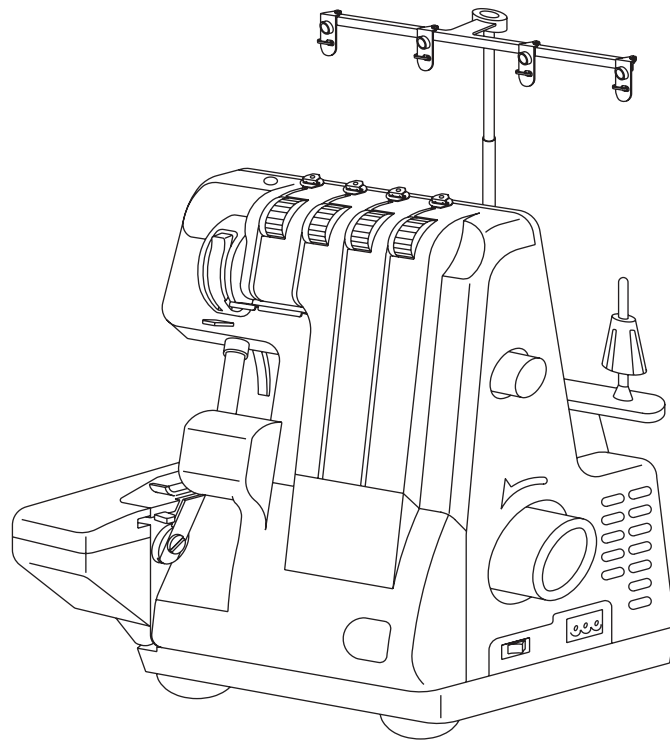




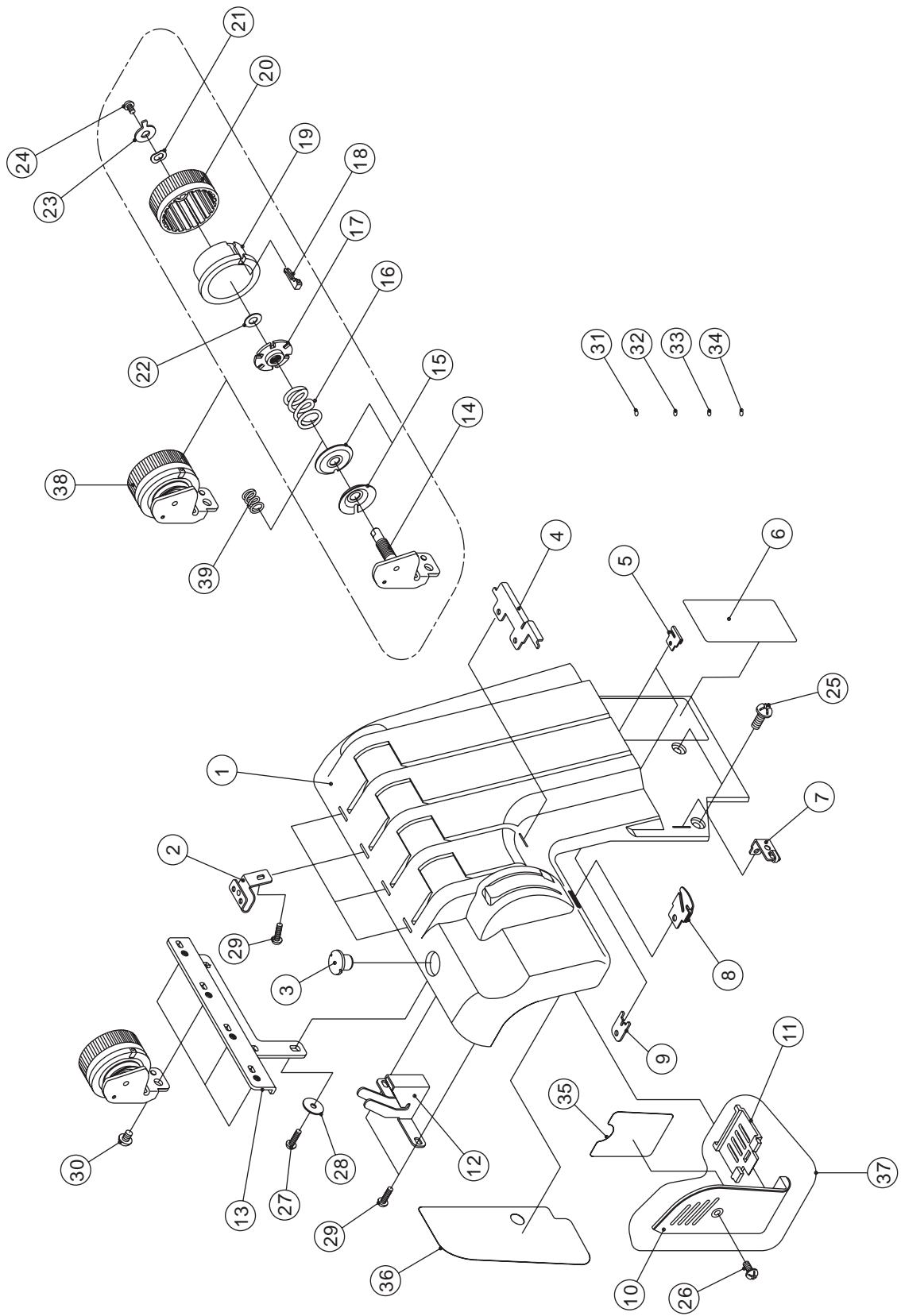
**SINGER®**

# 14T948

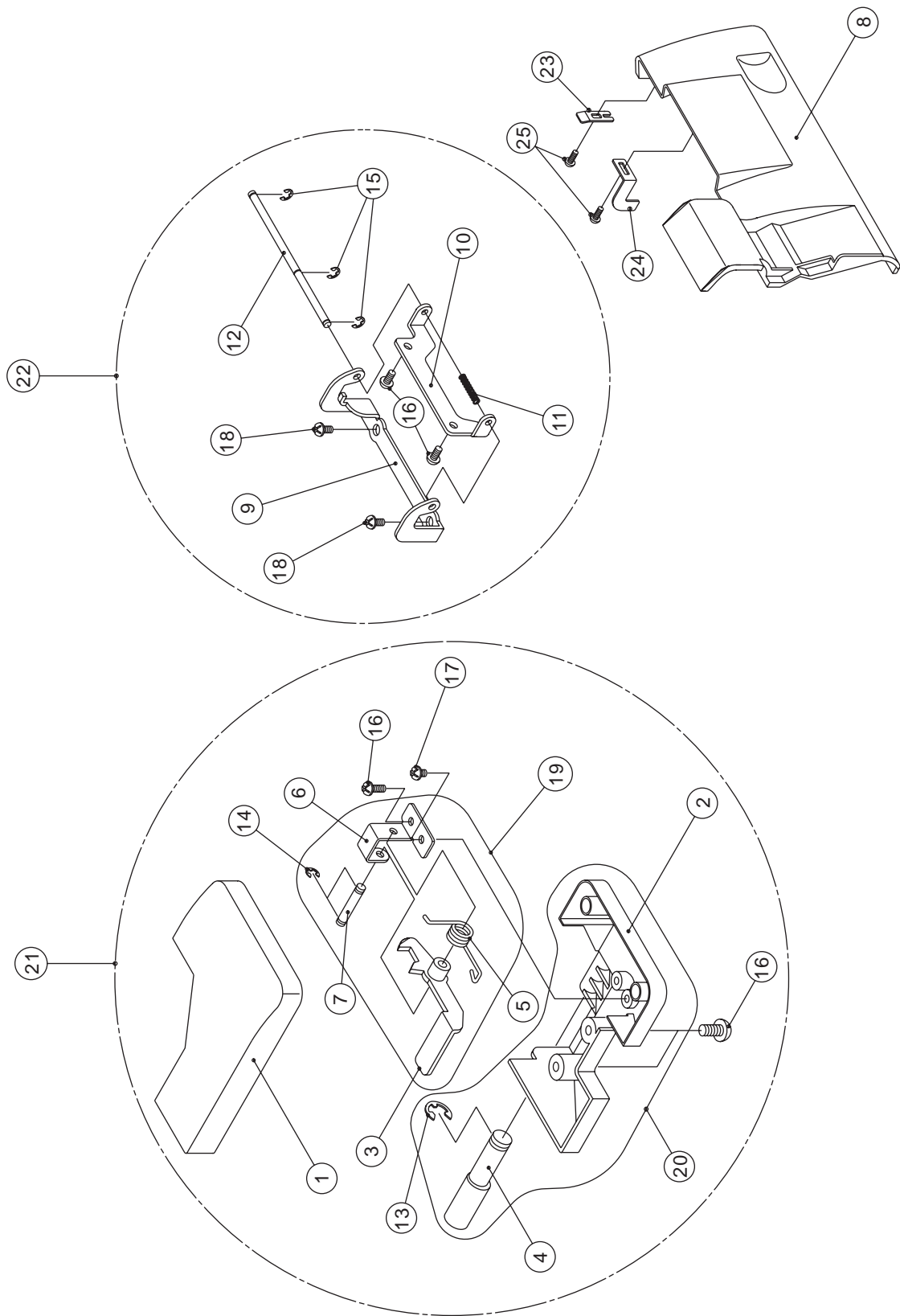


## Liste de pièces Lista de Piezas Parts List

® A registered trademark of The Singer Company Ltd. or its affiliates.  
® *Una marca registrada de The Singer Company Ltd. o sus afiliados.*  
® *Une marca déposée de The Singer Company Ltd. ou ses filiales.*

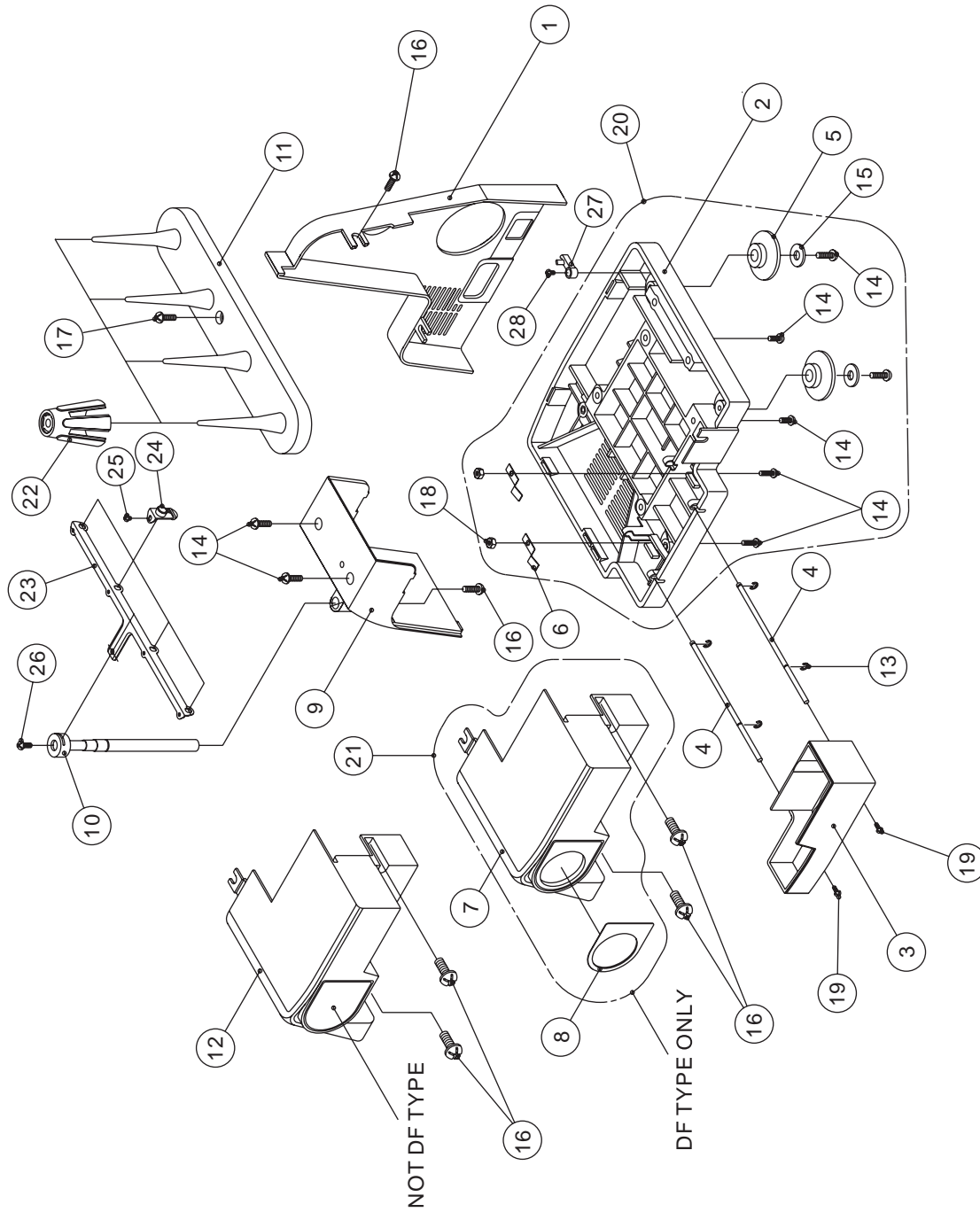


Pos	Part No	Description
1	270 E10012	Front cover (No.1, 4, 5, 7, 8, 9 included)
2	270 E10032	Thread guide (A)set
3	270 A10471567	Regulate cover
4	270 B10221004	Thread guide (B)
5	270 C10071004	Thread guide (F)
6	270 E1004	Thread guide sticker (E)
7	270 B10251004	Thread guide (E)
8	270 B10231004	Thread guide (C)
9	270 B10241004	Thread guide (D)
10	270 A10461567	Bulb cover
11	270 A10451000	Bulb shielding plate
12	270 B10201004	Thread take-up cover
13	270 B10151002	Tension dial holder
14	270 B10163000	Tension dial holder set
15	270 A10701004	Tension disc
16	270 B10481006	Tension spring (lower looper)
16	270 B10491001	Tension spring (right needle, left needle)
16	270 B10501002	Tension spring (upper looper)
17	270 B10131000	Tension regulate nut
18	270 B10061235	Tension regulate pin (red)
18	270 B10061250	Tension regulate pin (green)
18	270 B10061184	Tension regulate pin (blue)
18	270 B10061162	Tension regulate pin (yellow)
19	270 B10061162	Tension regulate disc (red)
19	270 B10051250	Tension regulate disc (green)
19	270 B10051184	Tension regulate disc (blue)
19	270 B10051162	Tension regulate disc (yellow)
20	270 B1004A235	Tension dial (2, 3, 4 red)
20	270 B1004A250	Tension dial (2, 3, 4 green)
20	270 B1004A184	Tension dia1 (2, 3, 4 blue)
20	270 B1004A162	Tension dial (2,3,4 yellow)
21	270 W05W09A01	Washer
22	270 W05F10A03	Washer
23	270 B10181001	Tension dial setting plate
24	270 M03L06I04	Set screw
25	270 M04L10A06	Set screw
26	N/S	Set screw
27	270 M03L10C02	Set screw
28	270 W03F12A06	Washer
29	N/S	Set screw
30	N/S	Set screw
31	270 A11481235	Color sticker (red)
32	270 A11481250	Color sticker (green)
33	270 A11481184	Color sticker (blue)
34	270 A11481162	Color sticker (yellow)
35	270 A11471000	Lamp cover heatout plate
36	270 B10521000	Front cover heatout plate
37	270 A10462000	Bulb cover complete set
38	270 B10043235	Tension dial set (lower looper)
38	270 B10043250	Tension dial set (upper looper)
38	270 B10043184	Tension dial set (right needle)
38	270 B10043162	Tension dial set (left needle)
39	270 C10081006	Tension spring
40	270 E10014	Front cover set (No. 35, 37 excluded)



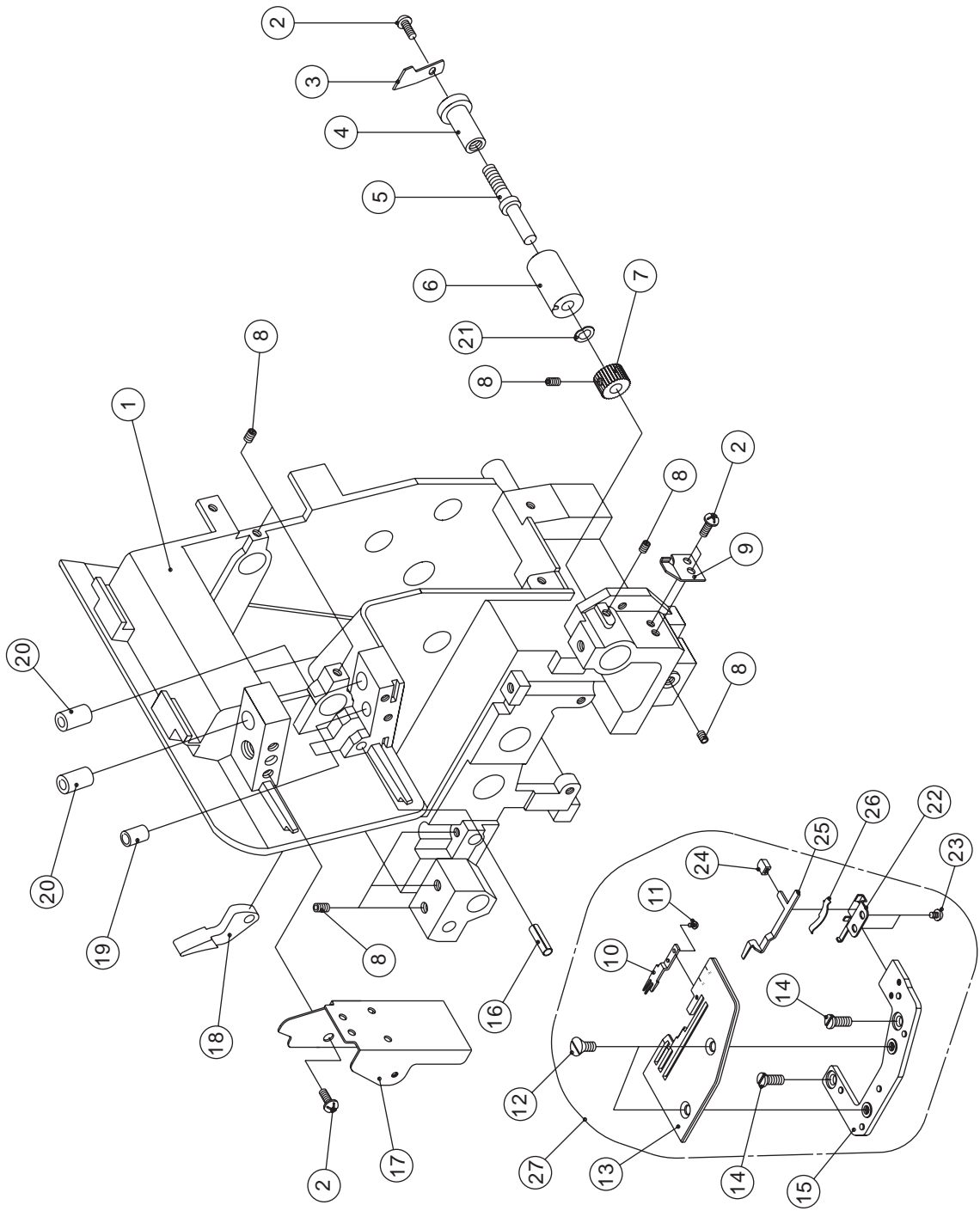
---

Pos	Part No	Description
1	270 B10031567	Sewing table cover
2	270 A11331567	Sewing table base
3	270 A10571004	Sewing table opening lever
4	270 A11181001	Sewing table shaft
5	270 A11091001	Opening lever spring
6	270 A10581001	Opening lever holder
7	270 A10771000	Opening lever shaft
8	270 E1002E001	Looper cover
9	N/S	Looper cover hinge (A)
10	N/S	Looper cover hinge (B)
11	270 A11061001	Looper cover hinge spring
12	N/S	Looper cover hinge shaft
13	270 E06T08A04	E Ring
14	270 E04T06A04	E Ring
15	ETW-2.5	E Ring
16	270 M04L10C06	Set screw
17	270 M04L08C06	Set screw
18	270 M04L10A06	Set screw
19	270 A10573000	Sewing table opening lever set
20	270 A11332000	Sewing table base complete set
21	270 B10033000	Sewing table complete set
22	270 A10674000	Looper cover hinge set
23	416377301	Looper cover setting plate
24	270 B10561004	Contacto regulate plate
25	270 M03L08C02	Set screw



---

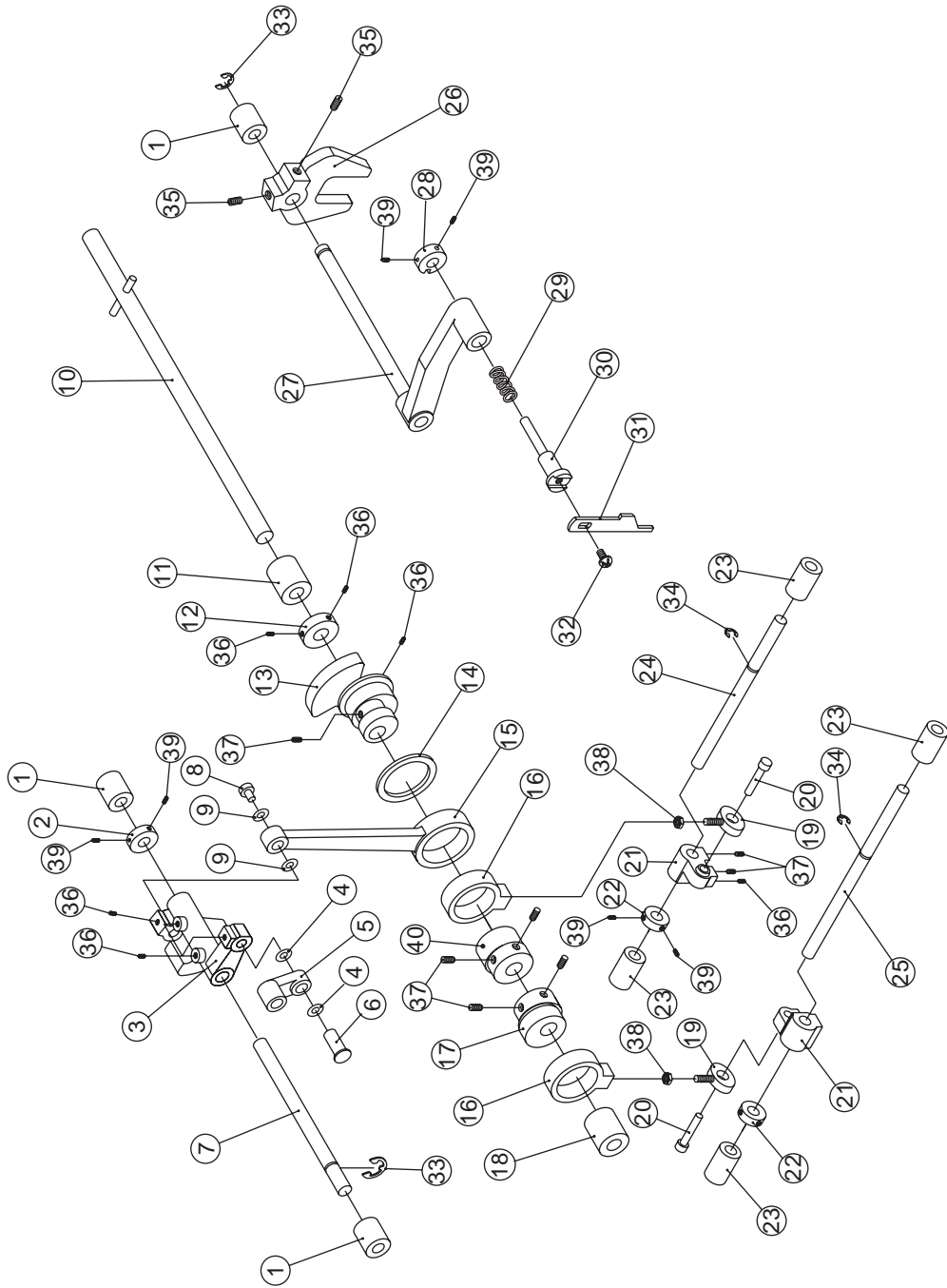
<u>Pos</u>	<u>Part No</u>	<u>Description</u>
1	270 A11301567	Side cover
2	270 A11361567	Base plate
3	270 A11351567	Accessory box
4	270 A10781001	Accessory box slide shaft
5	416361501	Rubber
6	270 A10541001	Accessory box setting spring
7	N/S	Extension table (DF type)
8	270 A40211211	D.F. decorate plate
9	270 A11311567	Motor cover
10	N/S	Extension bar
11	270 A11371567	Spool stand
12	N/S	Extension table
13	270 E03T06A04	E Ring
14	270 M04L12A06	Set screw
15	N/S	Washer
16	270 M04L08A06	Set screw
17	270 M04L12D06	Set screw
18	270 M04H30A03	Nut
19	270 M03L06I04	Set screw
20	270 A11362000	Base plate complete set
21	270 A40242000	Extension table complete set (DF TYP)
22	270 A1V011567	Cone holder
23	270 A11621000	Thread guide bar
24	270 M04L08C04	Set screw
25	270 B10551000	Micro switch contactor
26	270 M03L08C02	Set screw



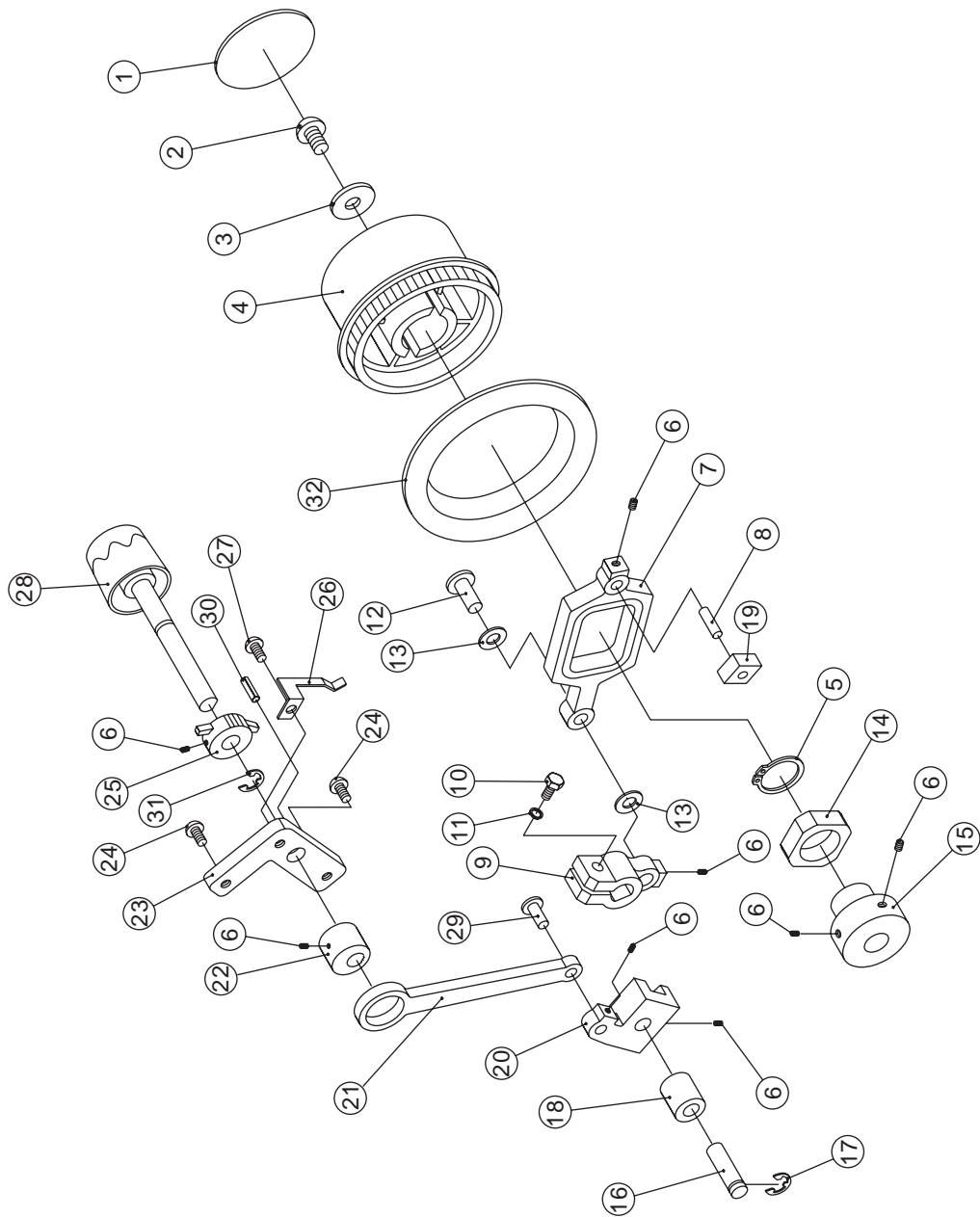


---

Pos	Part No	Description
1	N/A	Machine Frame
2	270 M04L08A06	Set screw
3	270 A10531000	Lower knife
4	N/S	Lower knife holder
5	N/S	Cutting width knob shaft
6	A10211000	Lower knife holder bushing
7	270 A10891004	Cutting width knob
8	270 M04L06E01	Set screw
9	270 A10591001	Opening lever stopper
10	N/S	Fixed lever
11	270 M02L03B03	Set screw
12	270 116407H04	Set screw
13	270 B10301004	Stitch plate
14	270 M04L06J01	Set screw
15	270 B10331001	Stitch plate holder
16	270 D05L16A01	Spring pin
17	270 A10441002	Bulb holder
18	270 A10481000	Presser foot lifter
19	270 A10381000	Presser bar bushing
20	270 A10371000	Needle bar bushing
21	270 W05W09A01	Wave washer
22	270 B10341001	Moving lever holder
23	270 M03L04A03	Set screw
24	N/S	Moving lever cover
25	270 B10321000	Moving lever
26	270 B10351000	Locating spring
27	N/S	Stitch plate set

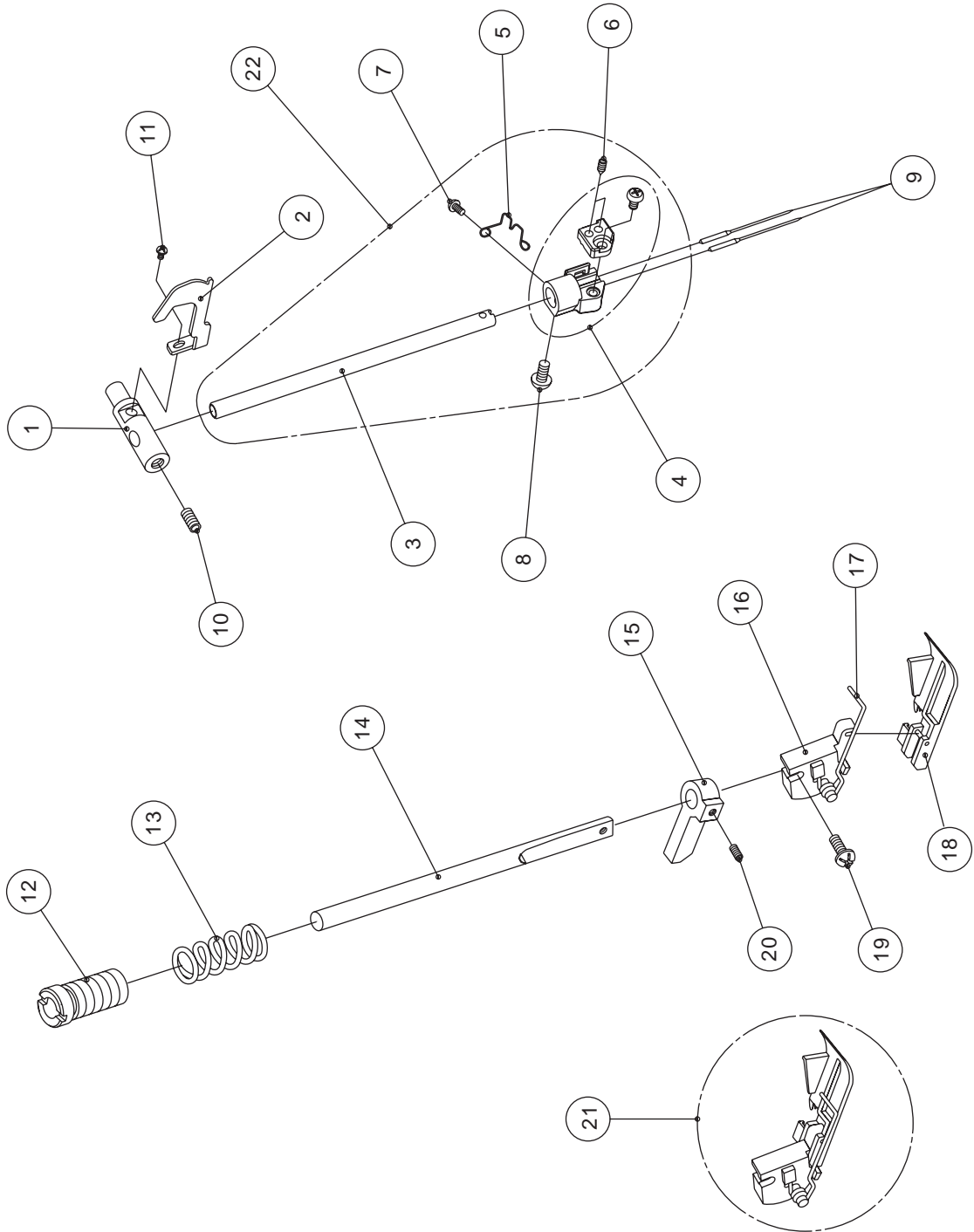


Pos	Part No	Description
1	270 A10391000	Upper knife arm shaft bushing
2	270 A10961001	Setting collar
3	270 A10321000	Needle bar crank
4	270 W06T12A00	Washer
5	270 A10061000	Needle bar link
6	270 A11191000	Needle bar link pin
7	270 A11001000	Needle bar link shaft
8	270 A11201000	Needle bar drive link pin
9	270 W07T12A00	Washer
10	270 A10902000	Main shaft set
11	270 A10341000	Main shaft bushing (A)
12	270 A10951001	Setting collar
13	270 A10291000	Needle bar carn
14	270 W28T34A00	Washer
15	270 A10081000	Needle bar drive link
16	270 A10071000	Looper link
17	270 A11561000	Looper carn (B)
18	270 A10351000	Main shaft bushing (B)
19	270 A11241000	Bearing
20	270 A10791000	Looper shaft link pin
21	270 A10241000	Looper shaft link
22	270 A10941001	Setting collar
23	270 A10401000	Looper shaft bushing
24	270 A10801000	Upper looper shaft
25	270 A10811000	Lower looper shaft
26	270 A10301000	Fork
27	270 A10313567	Upper knife arm set
28	270 A11011001	Upper knife holder collar
29	270 A11051001	Upper knife spring
30	270 A10761000	Upper knife holder
31	270 A10521000	Upper knife
32	270 M04L08A06	Set screw
33	270 E06T08A04	E Ring
34	270 E05T06A04	E Ring
35	270 M06L08E01	Set screw
36	270 M04L06E01	Set screw
37	N/S	Set screw
38	270 M05H38A06	Nut
39	270 M04L04E01	Set screw
40	270 A11571000	Looper carn (A)



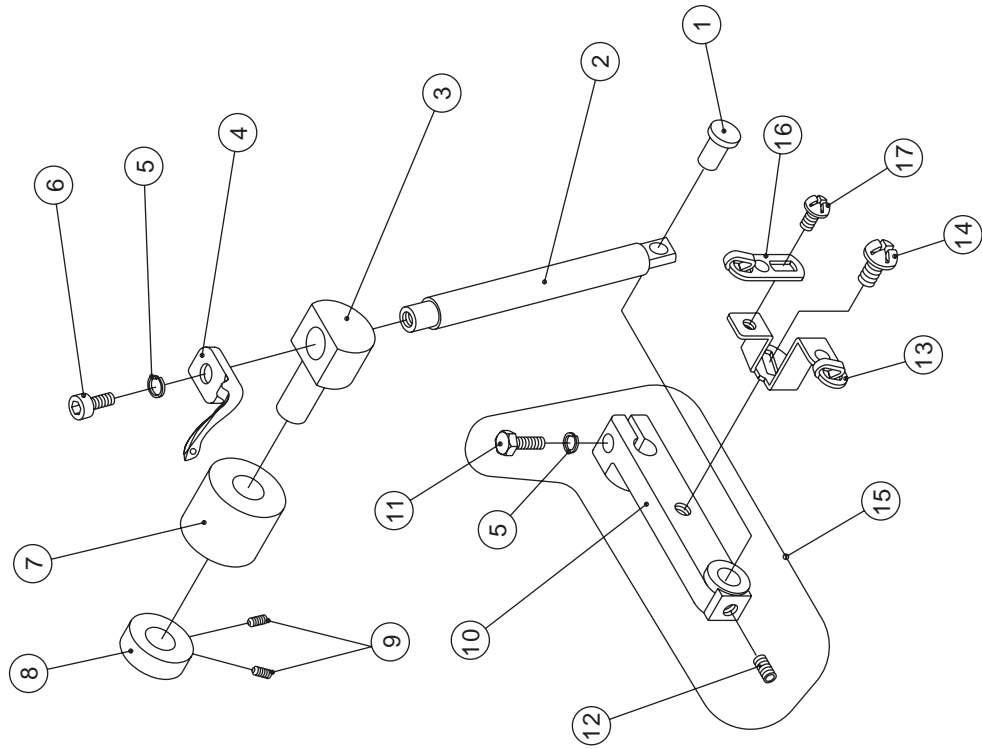
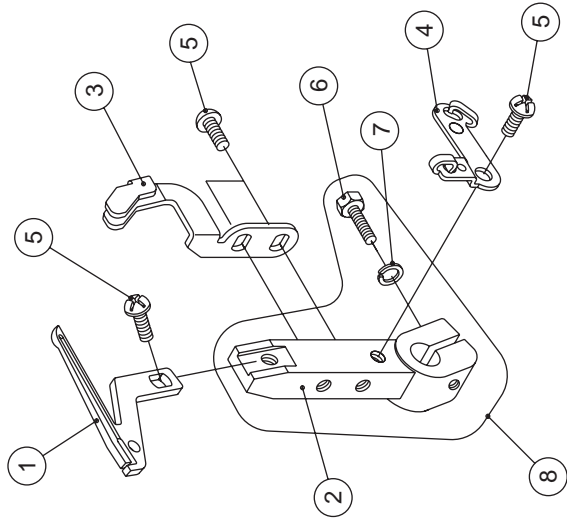
---

Pos	Part No	Description
1	270 A11151211	Handwheel decorate plate
2	N/S	Set screw
3	270 W06F19A06	Washer
4	416512601	Handwheel
5	N/S	C Ring
6	270 M04L06E01	Set screw
7	270 A10171000	Feed drive link
8	270 A10821000	Feed drive link pin (A)
9	N/S	Feedlink
10	N/S	Set screw
11	270 W05S13A06	Spring washer
12	270 A10831000	Feed drive link pin (B)
13	270 W06T14A00	Washer
14	N/S	Feed carn slide block
15	270 A10181000	Feed carn
16	270 A10861001	Feed regulate holder shafi
17	270 E05T06A04	E Ring
18	270 A10411000	Feed regulate holder bushing
19	270 A10141000	Feed slide block
20	270 A10131000	Feed slide holder
21	270 A10121000	Feed regulate link
22	270 A10111000	Feed regulate cam
23	270 A10101000	Feed regulate holder
24	270 M04L12A06	Set screw
25	270 A10091000	Feed regulate collar
26	270 A10551001	Locating spring
27	N/S	Set screw
28	N/S	Stitch length dial
29	270 A10741000	Feed regulate link pin
30	270 D03L14A01	Spring pin
31	270 E06T08A04	E Ring
32	270 B10651567	Handwheel setting collar



---

<u>Pos</u>	<u>Part No</u>	<u>Description</u>
1	270 A10841000	Needle bar setting link
2	270 A10501004	Needle bar thread take-up lever
3	N/S	Needle bar
4	N/S	Needle clamp
5	270 A11101000	Needle clamp thread guide
6	270 M03L05H01	Set screw
7	N/S	Set screw
8	270 010807A03	Set screw
9	N/S	Needle
10	270 M05L06E01	Set screw
11	270 M03L06I04	Set screw
12	270 A10991004	Presser bar regulate screw
13	270 A10991004	Presser bar spring
14	N/S	Presser bar
15	270 A10231000	Presser bar setting link
16	270 A1A021004	Presser foot holder
17	270 A1A051001	Presser foot spring
18	270 A1A061004	Presser foot
19	270 096409A04	Set screw
20	270 M04L06E01	Set screw
21	N/S	Presser foot complete set
22	416513001	Needle bar complete set (needles excluded)





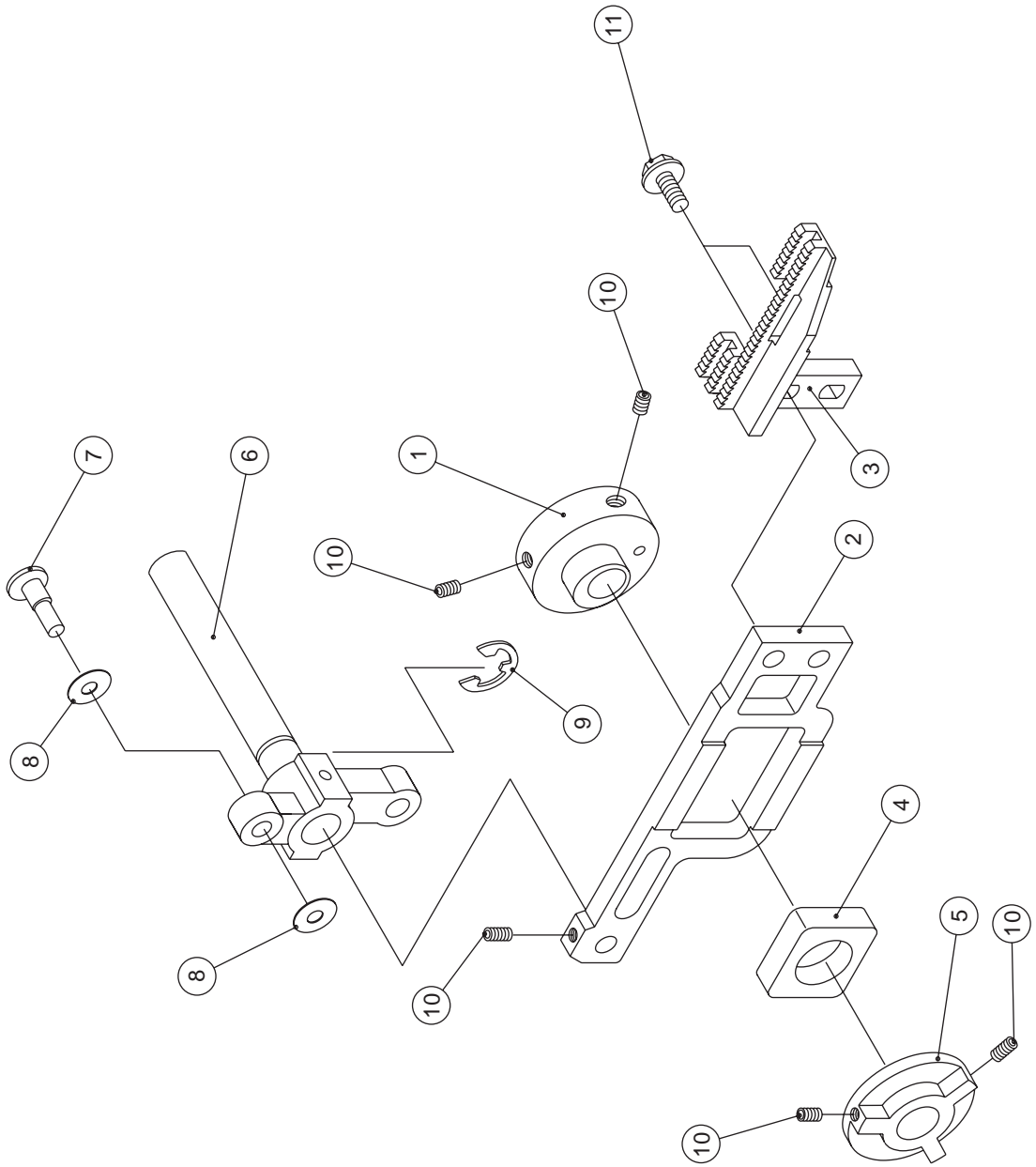
---

Upper looper

<u>Pos</u>	<u>Part No</u>	<u>Description</u>
1	270 A10931000	Slide shaft pin
2	270 A10911000	Slide shaft
3	270 A10921001	Slide shaft holder
4	270 A10431000	Upper looper
5	270 W04S13A06	Spring washer
6	270 M04L10F01	Set screw
7	270 A10421000	Slide shaft holder bushing
8	270 A10941001	Setting collar
9	270 M03L06I04	Setscrew
10	270 A10261005	Upper looper connecting arm
11	270 M04L16G02	Set screw
12	270 M04L06E01	Set screw
13	270 B10291004	Lower looper thread take-up lever
14	270 M04L08A06	Set screw
15	270 A10262000	Upper looper connecting arm set
16	270 B10281004	Upper looper thread take-up lever

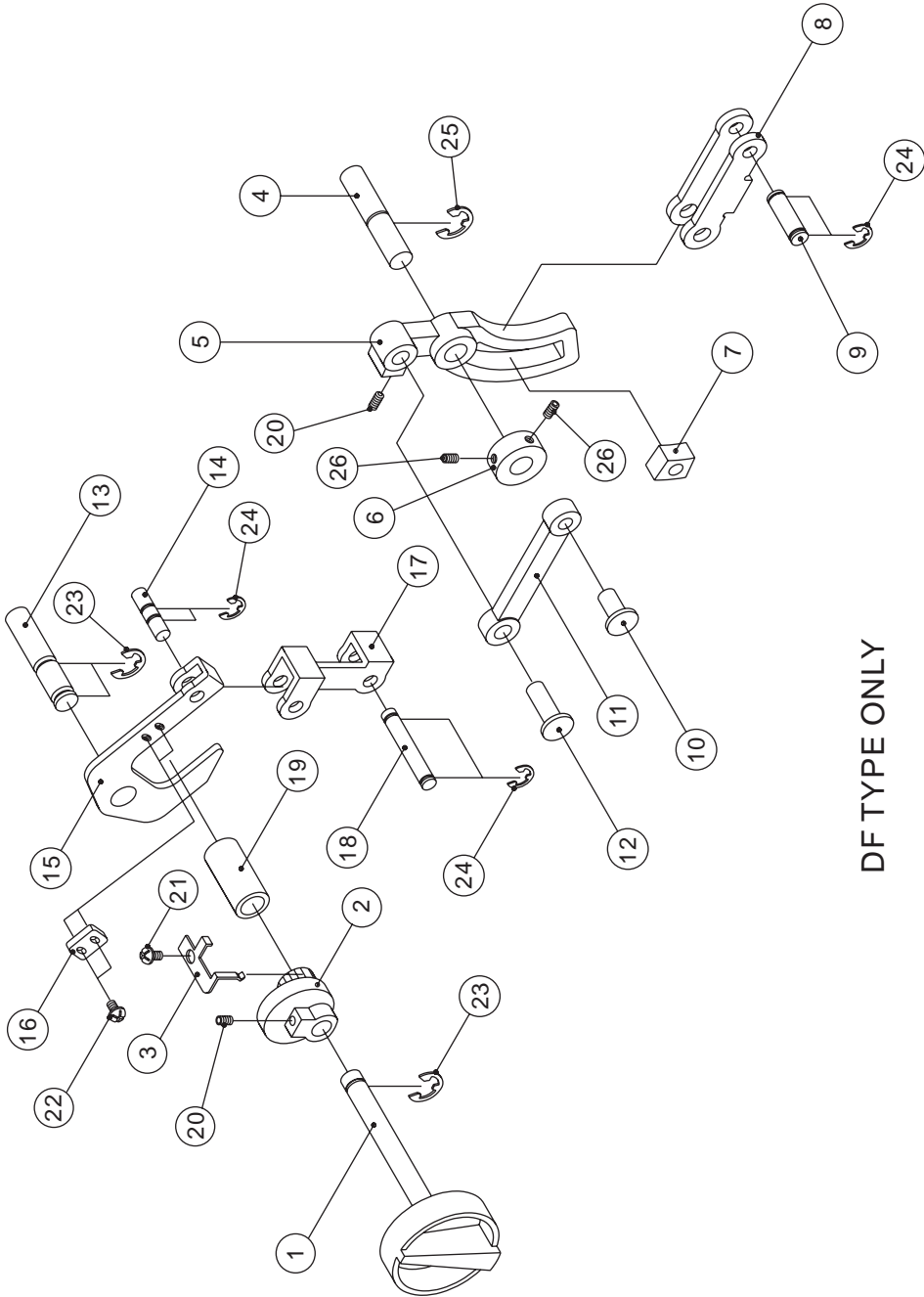
Lower looper

<u>Pos</u>	<u>Part No</u>	<u>Description</u>
1	270 A20051000	Lower looper (A)
2	270 A20041005	Lower looper supporter (A)
3	270 A10561004	Needle guard
4	270 C10011004	Lower looper thread guide
5	270 010807A03	Set screw
6	270 M04L16G02	Set screw
7	270 W04S13A06	Spring washer
8	270 A20042000	Lower looper supporter set (A)



---

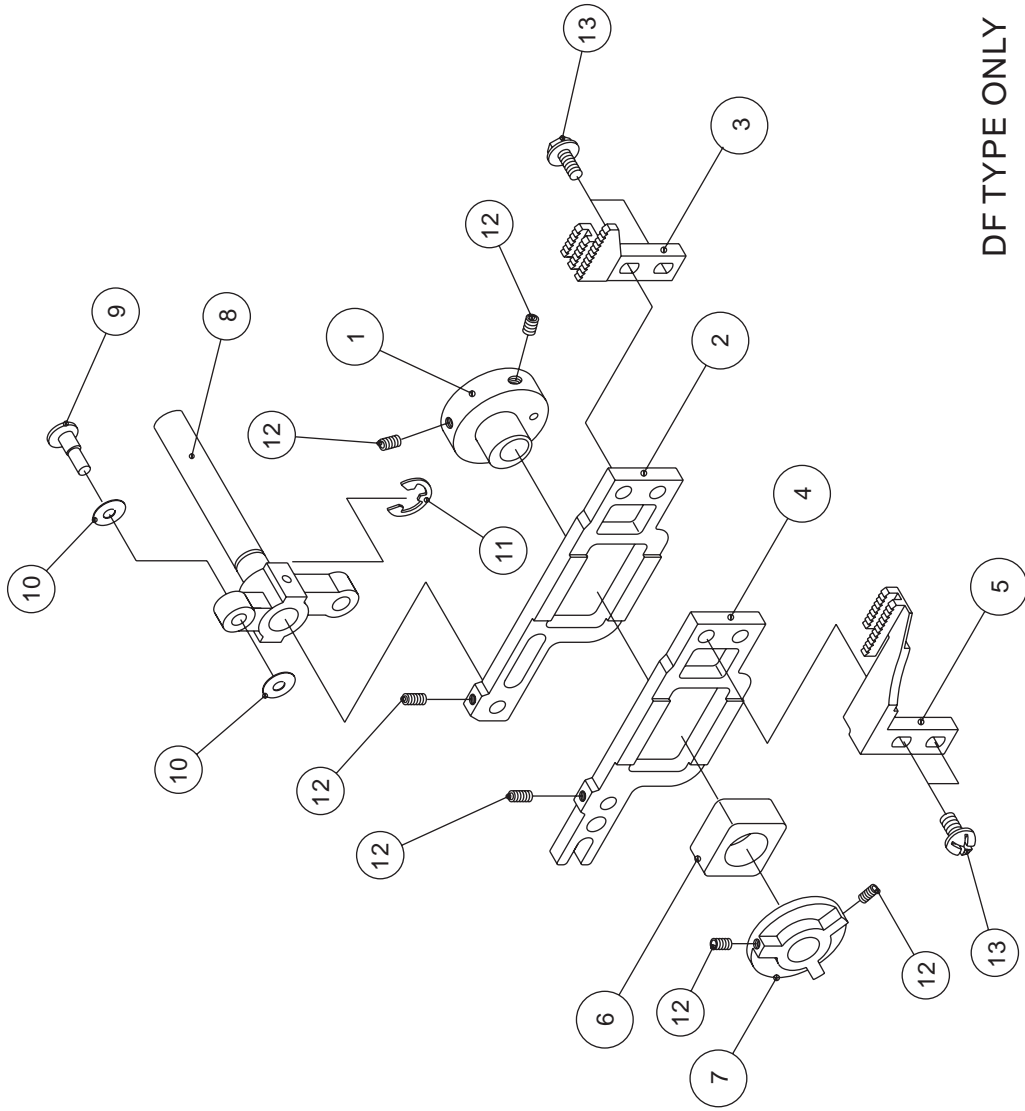
<u>Pos</u>	<u>Part No</u>	<u>Description</u>
1	270 A20021000	Feed dog cam
2	270 A10201000	Feed dog holder
3	270 A20011004	Feed dog
4	270 A20031000	Feed dog supporter slide
5	270 A10151000	Setting collar
6	270 A10282000	Feed dog shake rod complete
7	270 A10751000	Feed dog holder pin
8	270 W06T12A00	Washer
9	270 E08T08A04	E Ring
10	270 M04L06E01	Set screw
11	N/S	Set screw



DF TYPE ONLY

---

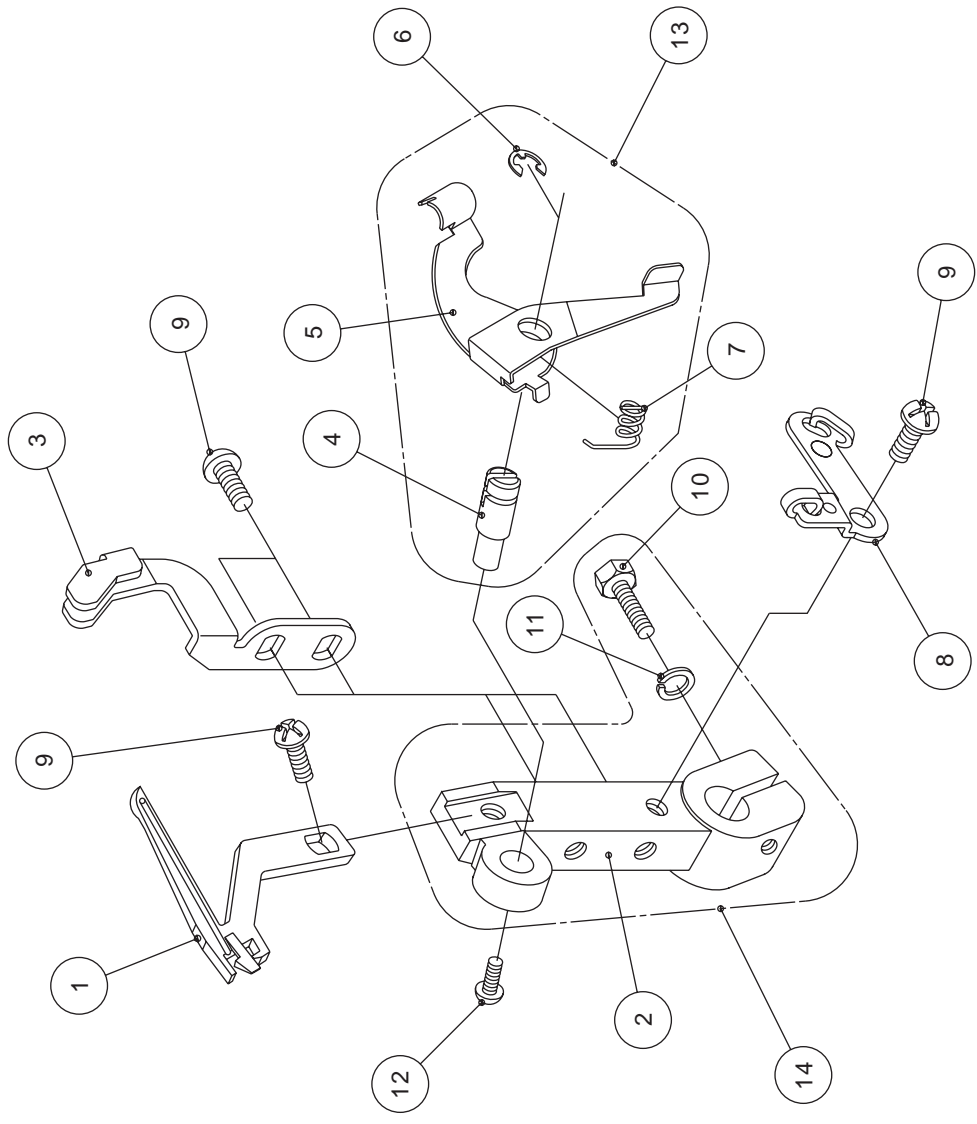
<u>Pos</u>	<u>Part No</u>	<u>Description</u>
1	270 A40251567	Differential Feed dial
2	270 A40091000	D.F. regulate cam
3	270 A40191001	D.F. setting spring
4	270 A40151001	D.F. slide holder shaft
5	270 A40151001	D.F. slide holder
6	270 A10961001	Setting collar
7	270 A40051000	D.F. slide block
8	270 A40111001	D.F.link
9	270 A40161000	D.F. link pin (A)
10	270 A10741000	Feed regulate link pin
11	270 A40071000	Feed dog supporter link
12	270 A10831000	Feed drive link pin (B)
13	270 A40141001	D.F. regulate holder shaft
14	270 A40181000	D.F. regulate link pin
15	270 A40131001	D.F. regulate holder
16	270 A40131001	Setting plate
17	270 A40121001	D.F. regulate link
18	270 A40171000	D.F. link pin (B)
19	270 A40101000	D.F. dial bushing
20	270 M04L06E01	Set screw
21	270 M04L08A06	Set screw
22	270 M03L06I04	Set screw
23	270 E05T06A04	E Ring
24	270 E04T06A04	E Ring
25	270 E06T08A04	E Ring



DF TYPE ONLY

---

<u>Pos</u>	<u>Part No</u>	<u>Description</u>
1	270 A40031000	Feed dog cam
2	270 A10201000	Feed dog holder
3	N/S	Feed dog (rear)
4	270 A40081000	Feed dog supporter (front)
5	N/S	Feed dog (front)
6	270 A40041000	Feed dog supporter slide block
7	270 A10151000	Setting collar
8	270 A10282000	Feed dog shake rod complete set
9	270 A10751000	Feed dog holder pin
10	270 W06T12A00	Washer
11	270 E06T08A04	E Ring
12	270 M04L06E01	Set screw
13	N/S	Set screw

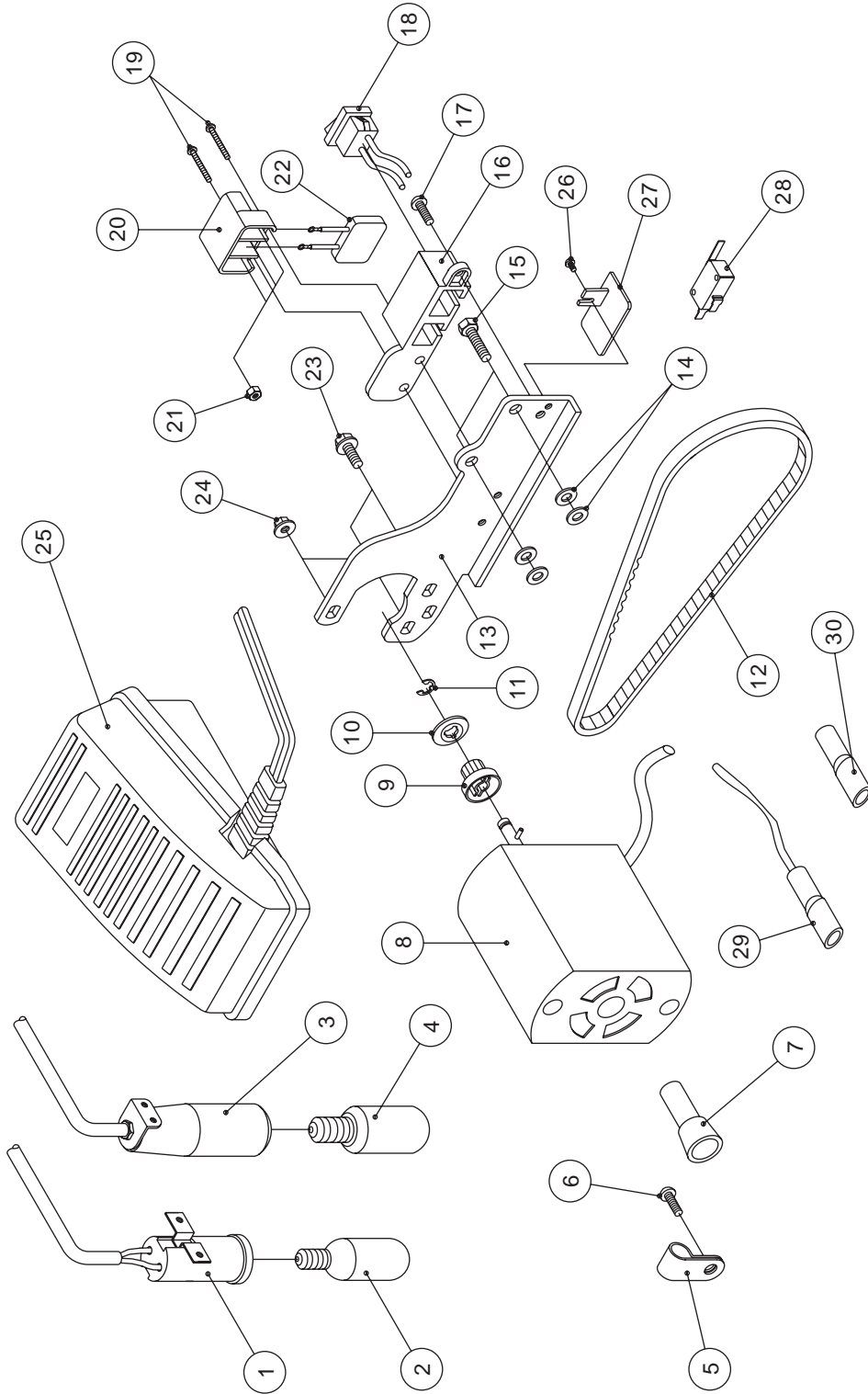


LOWER LOOPER AUTO THREADER TYPE ONLY

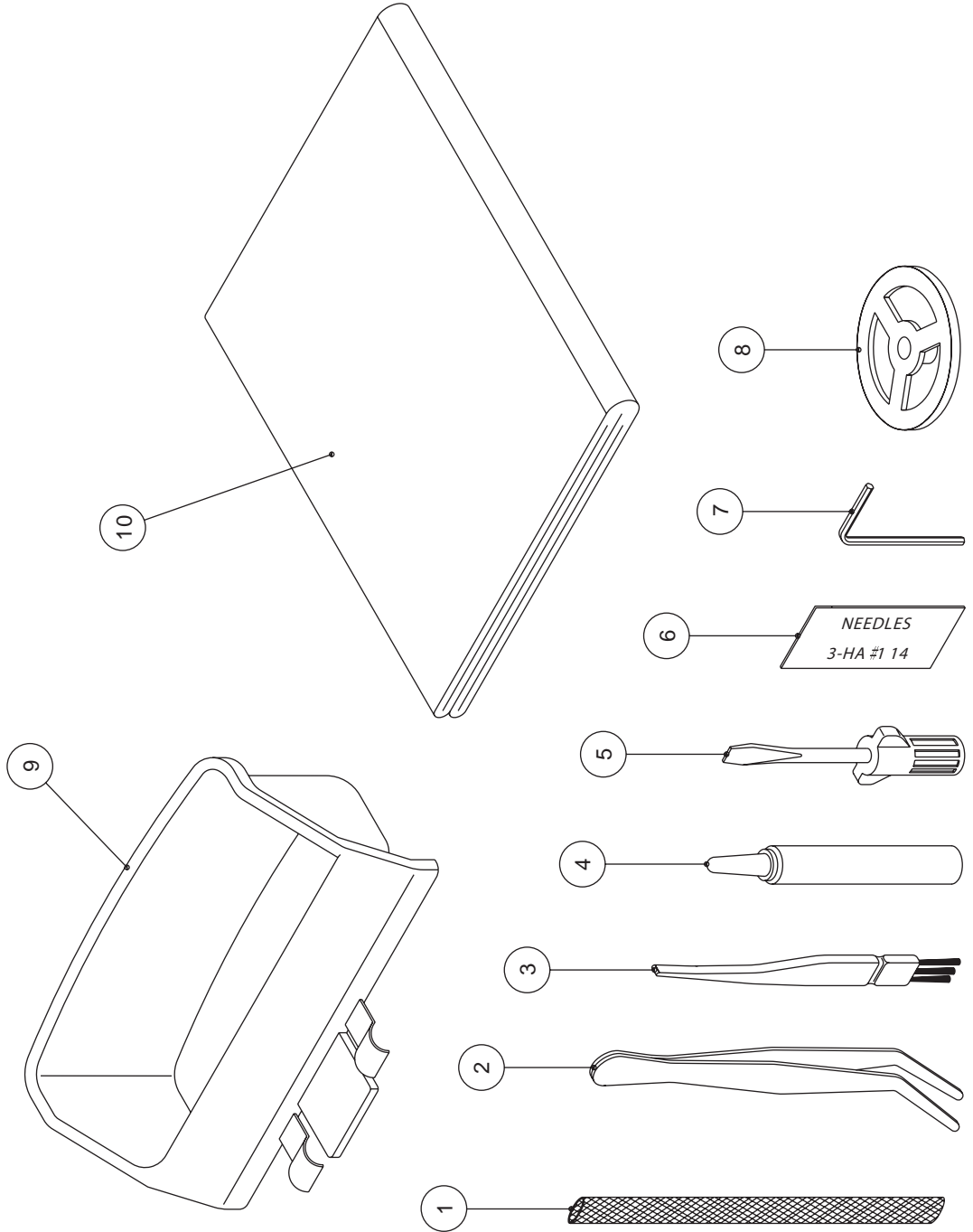


---

<u>Pos</u>	<u>Part No</u>	<u>Description</u>
1	270 A30021000	Lower looper (B)
2	270 A30011005	Lower looper supporter (B)
3	270 A10561004	Needle guard
4	270 A30041001	Auto threader shaft
5	N/S	Auto threader
6	270 E04T06A04	E Ring
7	270 A30051001	Auto threader spring
8	270 C10011004	Lower looper thread guide
9	270 010807A03	Set screw
10	270 M04L16G02	Set screw
1 1	270 W04S13A06	Spring washer
12.	270 M03L06I04	Set screw
13	270 A30032000	Auto threader set
14	270 A30012000	Lower looper supporter set (B)



<u>Pos</u>	<u>Part No</u>	<u>Description</u>
1	270 EE0132000	Lighting set (100~)
1	270 EE0142000	Lighting set (120V)
2	416299801	Bulb (100V)
2	270 EE0171000	Bulb (120)
3	270 EE0152000	Lighting set (240V) (Available for 220V/230V/240V)
4	416300001	Bulb (240V) (Available for 220V/230V/240V)
5	270 EE0201000	HW (114) Cord clip
6	270 M04L08A06	Set screw
7	416300101	C4 End terminal
8	270 3M803A404	Motor (100V)
8	270 3M952J415	Motor (120V)
8	270 4M907G112	Motor (220V)
8	270 4M927G103	Motor (230V)
8	270 4M807K107	Motor (240V)
9	270 A11411000	Timing belt pulley
10	270 A11421000	Timing belt pulley cover
11	270 E04T06A04	E Ring
12	416512901	Timing belt
13	270 A10881001	Motor supporter
14	N/S	Washer
15	N/S	Set screw
16	270 A11431567	Switch supporter
17	270 M04L10A06	Set screw
18	270 EE0112000	Switch
19	N/S	Set screw
20	N/S	Machine socket
21	N/S	Nut
22	N/S	Condenser
23	N/S	Set screw
24	N/S	Nut
25	270 4C315A202	Foot controller (100V)
25	N/S	Foot controller (120V)
25	270 4C326C202	Foot controller (220V)
25	270 4C316C406	Foot controller (22CV)
25	270 4C316C402	Foot controller (220V)
25	N/S	Foot controller (230V)
25	270 4C326C205	Foot controller (240V)
25	270 4C326C203	Foot controller (240V)
26	N/S	Set screw
27	270 B10571567	Micro switch insulation plate
28	N/S	Micro switch
29	270 EE0501000	Terminal w/transparent insulation tube
30	270 EE0511184	Terminal w/un-transparent insulation tube



---

<u>Pos</u>	<u>Part No</u>	<u>Description</u>
1	270 A1L011000	Net
2	416373101	Tweezers
3	416298601	Cleaning brush
4	N/S	Oiler
5	270 A1F011211	Screw driver
6	N/S	Needle x 3
7	270 A1H011001	Hexagen wrench
8	270 A1C011567	Spool caps
9	270 A1D011567	Chipbox
10	270 A1U011000	Dust cover
11	270 A1Z014000	Accessories Set (No. 1-8)