

ILLUSTRATED PART LIST

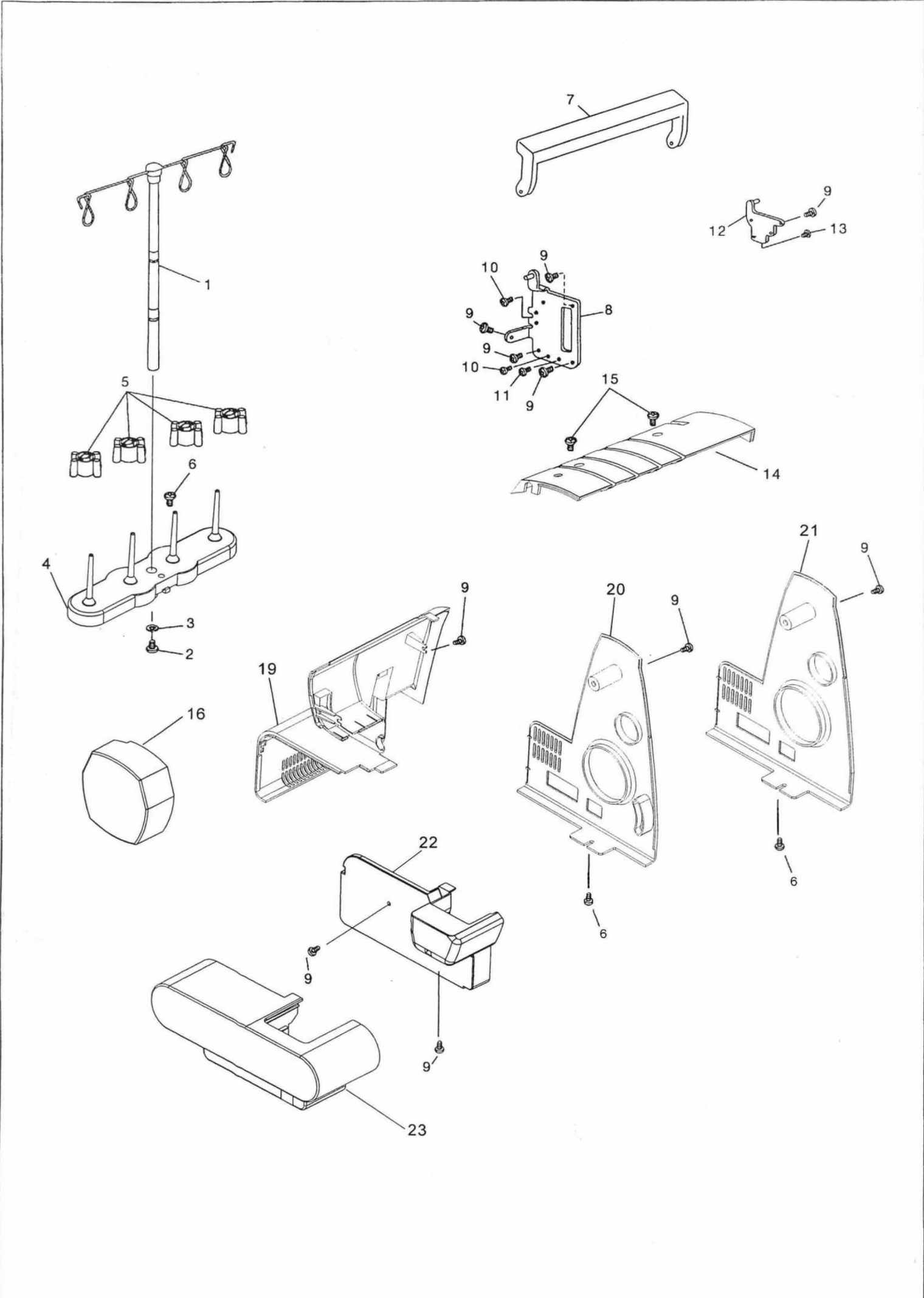
SINGER[®]

OVERLOCK MACHINE

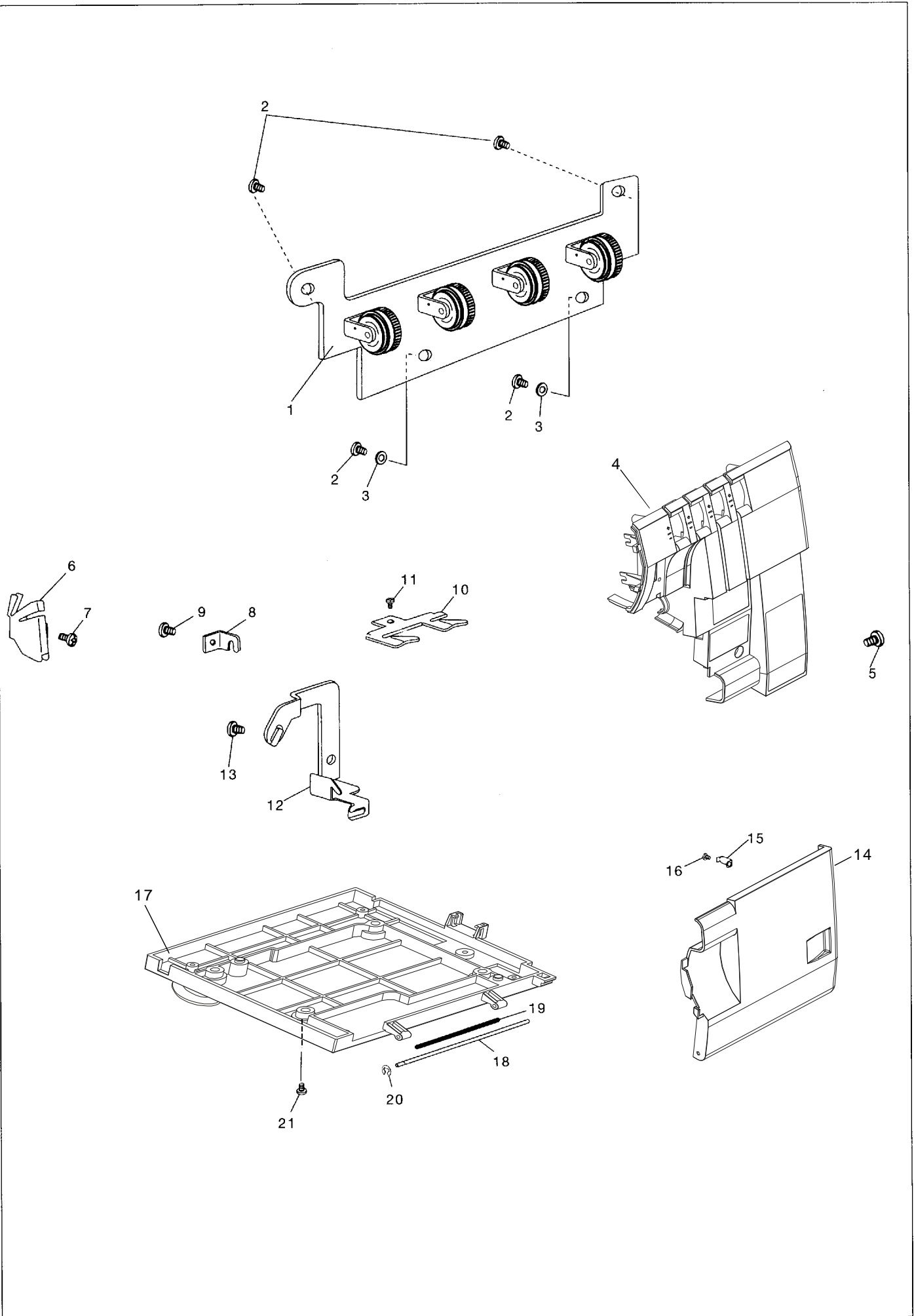
14SH 744/14CG 744

14SH 754/14CG 754

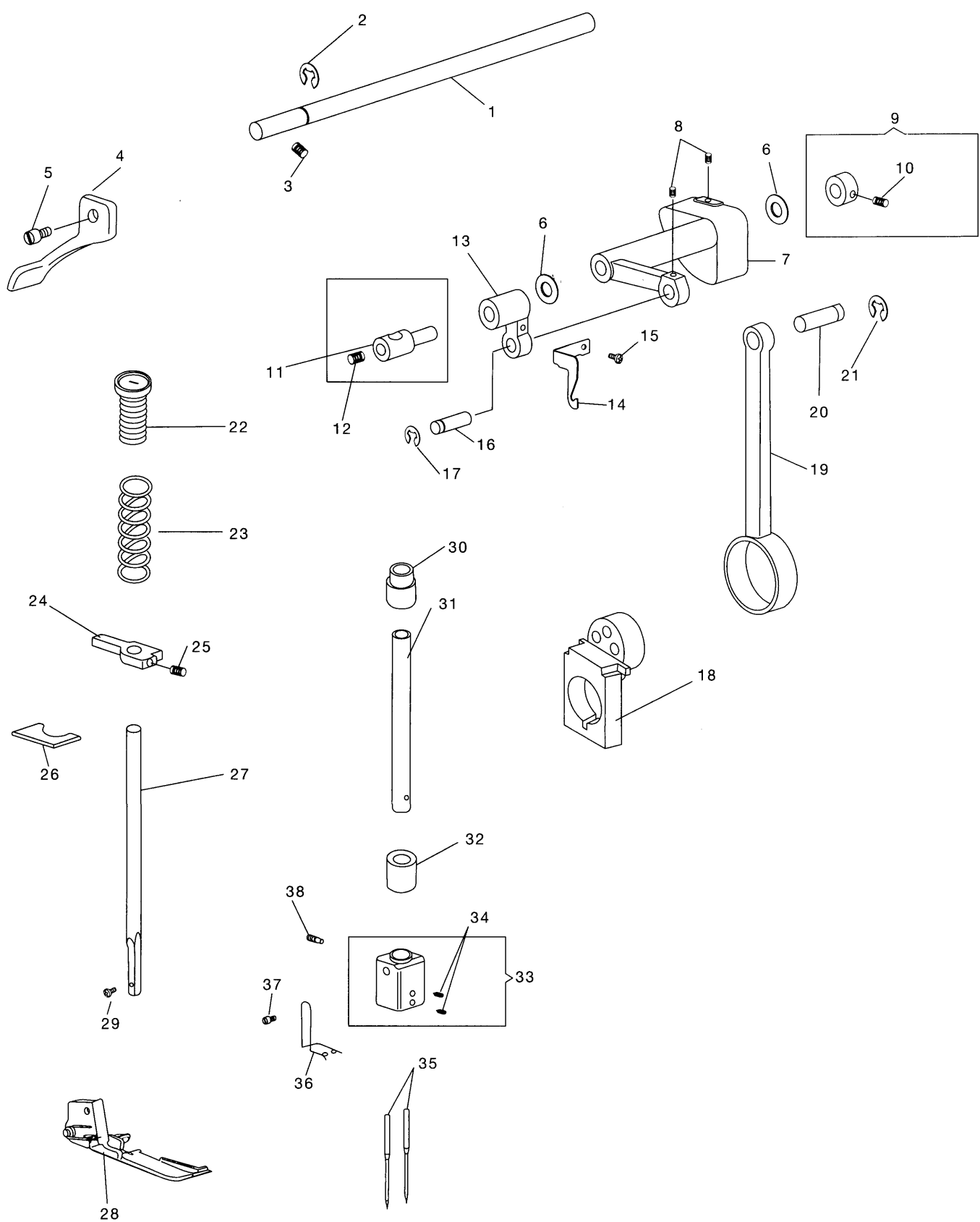
NO.	PART NO.	744	754	QTY.	DESCRIPTION
1	550346-001	*	*	1	THREAD UNWINDER THREAD GUIDE ROD COMP.
2	544212-003	*	*	1	THREAD UNWINDER THREAD GUIDE ROD SCREW
3	543805-003	*	*	1	THREAD UNWINDER THREAD GUIDE ROD SCREW WASHER
4	364286-900	*	*	1	THREAD UNWINDER
5	546893	*	*	4	SPOOL HOLDER
6	412697-002	*	*	2	THREAD UNWINDER(COMP.)SCREW
7	364291-900	*	*	1	HANDLE
8	556159	*	*	1	HANDLE BRACKET(LEFT)COMP.
9	544270-001	*	*	11	SCREW
10	544211-002	*	*	2	PRESSER BAR OIL FELT SCREW
11	544212-001	*	*	1	SCREW
12	556156	*	*	1	HANDLE BRACKET (RIGHT) COMP.
13	544212-001	*	*	1	HANDLE BRACKET (RIGHT) COMP.SCREW
14	364285-901	*	*	1	TOP COVER COMP.
15	544212-072	*	*	2	TOP COVER SCREW
16	364283-901	*	*	1	LIGHT COVER COMP.
19	364284-900	*	*	1	REAR COVER
20	364282-001	*	-	1	PULLEY COVER
21	364282-002	-	*	1	PULLEY COVER (FOR DIFFERENTIAL FEED)
22	364281-900	*	*	1	CYLINDER COVER
23	364280-901	*	*	1	CLOTH PLATE COMP.



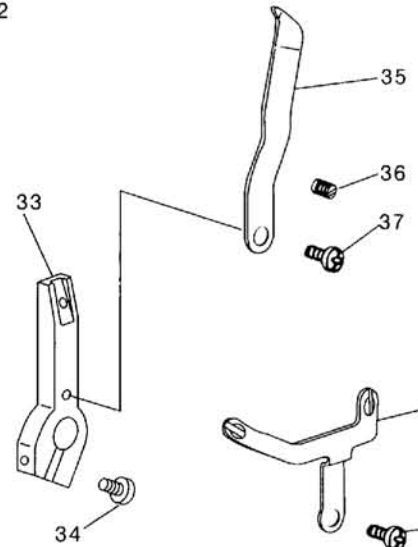
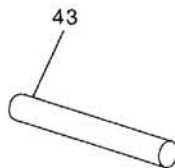
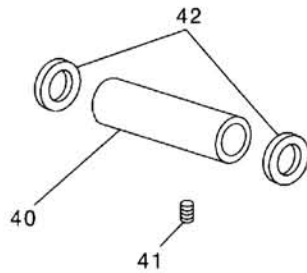
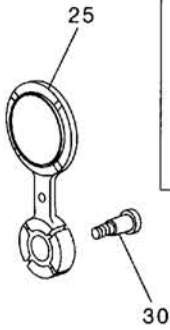
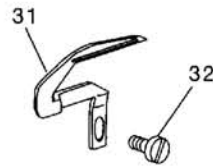
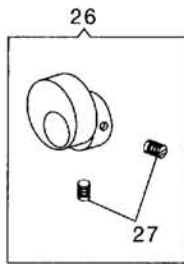
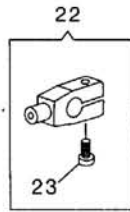
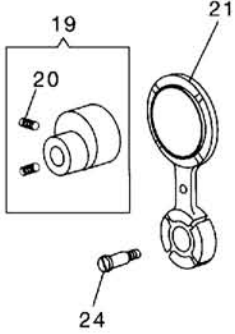
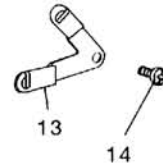
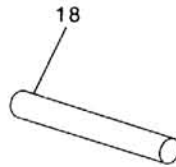
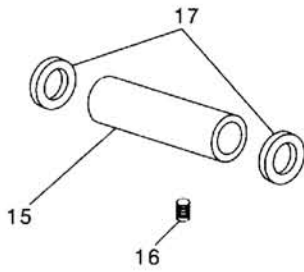
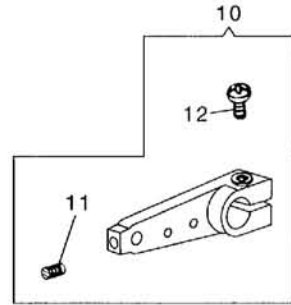
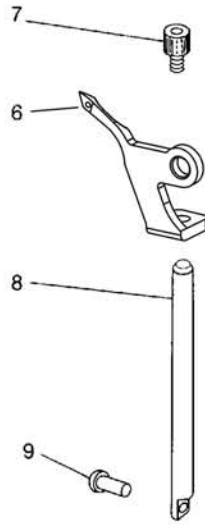
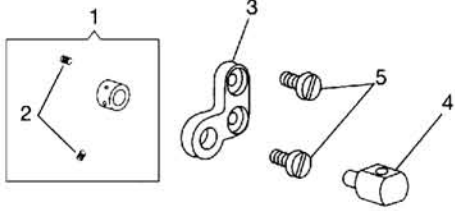
NO.	PART NO.	744	754	QTY.	DESCRIPTION
1	364298-000	*	*	1	ONE TURN TENSION DIAL COMP.
2	412697-002	*	*	4	ONE TURN TENSION DIAL COMP. SET SCREW
3	543804-003	*	*	2	ONE TURN TENSION DIAL COMP. SET SCREW WASHER
4	364287-901	*	*	1	FRONT COVER (GRAPHIC)
5	544270-001	*	*	1	FRONT COVER SCREW
6	281487	*	*	1	FRONT COVER THREAD GUIDE
7	412697	*	*	1	FRONT COVER THREAD GUIDE BRACKET SCREW
8	412531	*	*	1	FRONT COVER THREAD GUIDE (SMALL)
9	412697-003	*	*	1	FRONT COVER THREAD GUIDE (SMALL) SCREW
10	550352	*	*	1	FRONT COVER THREAD GUIDE (LOWER)
11	544211-002	*	*	1	FRONT COVER THREAD GUIDE (LOWER) SCREW
12	550412	*	*	1	LOOPER THREAD GUIDE
13	412697-003	*	*	1	LOOPER THREAD GUIDE SCREW
14	364288-900	*	-	1	LOOPER COVER
15	556165	*	*	1	LOOPER COVER HOOK
16	544248-003	*	*	1	LOOPER COVER HOOK SCREW
17	364289-901	*	*	1	MACHINE BASE COMP.
18	556168	*	*	1	LOOPER COVER HINGE PIN
19	556169	*	*	1	LOOPER COVER HINGE PIN SPRING
20	543801-002	*	*	1	LOOPER COVER HINGE PIN RETAINING RING
21	544213-005	*	*	4	MACHINE BASE SCREW



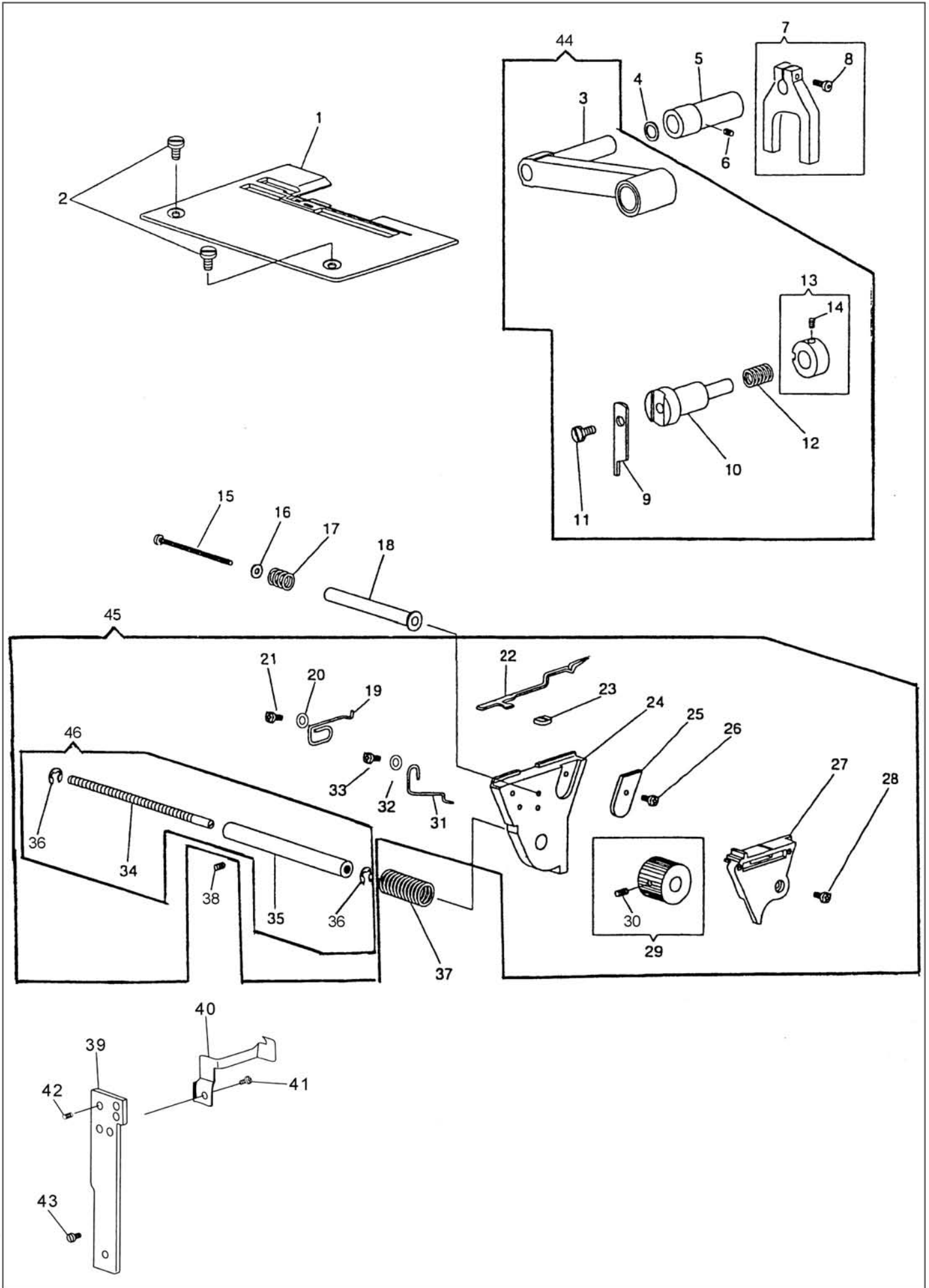
NO.	PART NO.	744	754	QTY.	DESCRIPTION
1	376814	*	*	1	ARM SHAFT
2	543801-007	*	*	1	ARM SHAFT RETAINING RING
3	544207-011	*	*	1	ARM SHAFT SET SCREW
4	556197-391	*	*	1	PRESSER BAR LIFTER
5	544441	*	*	1	PRESSER BAR LIFTER SCREW STUD
6	542402	*	*	2	THRUST WASHER
7	550405-900	*	*	1	NEEDLE BAR CRANK
8	544207-011	*	*	2	NEEDLE BAR CRANK ROD PIN SCREW
9	550393	*	*	1	ARM SHAFT COLLAR COMP.
10	544207-011	*	*	1	ARM SHAFT COLLAR SCREW
11	410326-900	*	*	1	NEEDLE BAR CONNECTING STUD
12	544044	*	*	1	NEEDLE BAR CONNECTING STUD SCREW
13	410327	*	*	1	NEEDLE BAR CONNECTING LINK
14	281488	*	*	1	STRIKER
15	544211-051	*	*	1	STRIKER SCREW
16	370270-900	*	*	1	NEEDLE BAR CONNECTING LINK PIN
17	543801-006	*	*	1	NEEDLE BAR CONNECTING LINK PIN RETAINING RING
18	556139	*	*	1	NEEDLE BAR ECC. KNIFE (MOVABLE) FORKED LEVER SLIDE BLOCK
19	557726	*	*	1	NEEDLE BAR CRANK ROD
20	370270-900	*	*	1	NEEDLE BAR CONNECTING LINK PIN
21	543801-006	*	*	1	NEEDLE BAR CONNECTING LINK PIN RETAINING RING
22	550370-391	*	*	1	PRESSER REGULATING THUMB COMP.
23	410355	*	*	1	PRESSER BAR SPRING
24	410353-900	*	*	1	PRESSER BAR GUIDE BRACKET
25	544204-001	*	*	1	PRESSER BAR GUIDE BRACKET SCREW
26	550304	*	*	1	PRESSER BAR OIL FELT
27	410351	*	*	1	PRESSER BAR
28	550375-452	*	*	1	PRESSER FOOT COMP (SNAP-ON TYPE)
29	504063-451	*	*	1	PRESSER FOOT SCREW
30	410323	*	*	1	NEEDLE BAR BUSHING (UPPER)
31	376844	*	*	1	NEEDLE BAR
32	410324	*	*	1	NEEDLE BAR BUSHING (LOWER)
33	556199	*	*	1	NEEDLE CLAMP (BODY) COMP.(FOR 4 THREAD)
34	374573	*	*	2	NEEDLE SET SCREW
35	N2022-90-14	*	*	2	NEEDLE(#14)
36	376848	*	*	1	NEEDLE CLAMP THREAD GUIDE
37	544211-059	*	*	1	NEEDLE CLAMP THREAD GUIDE SET SCREW
38	374102	*	*	1	NEEDLE CLAMP (BODY) SCREW



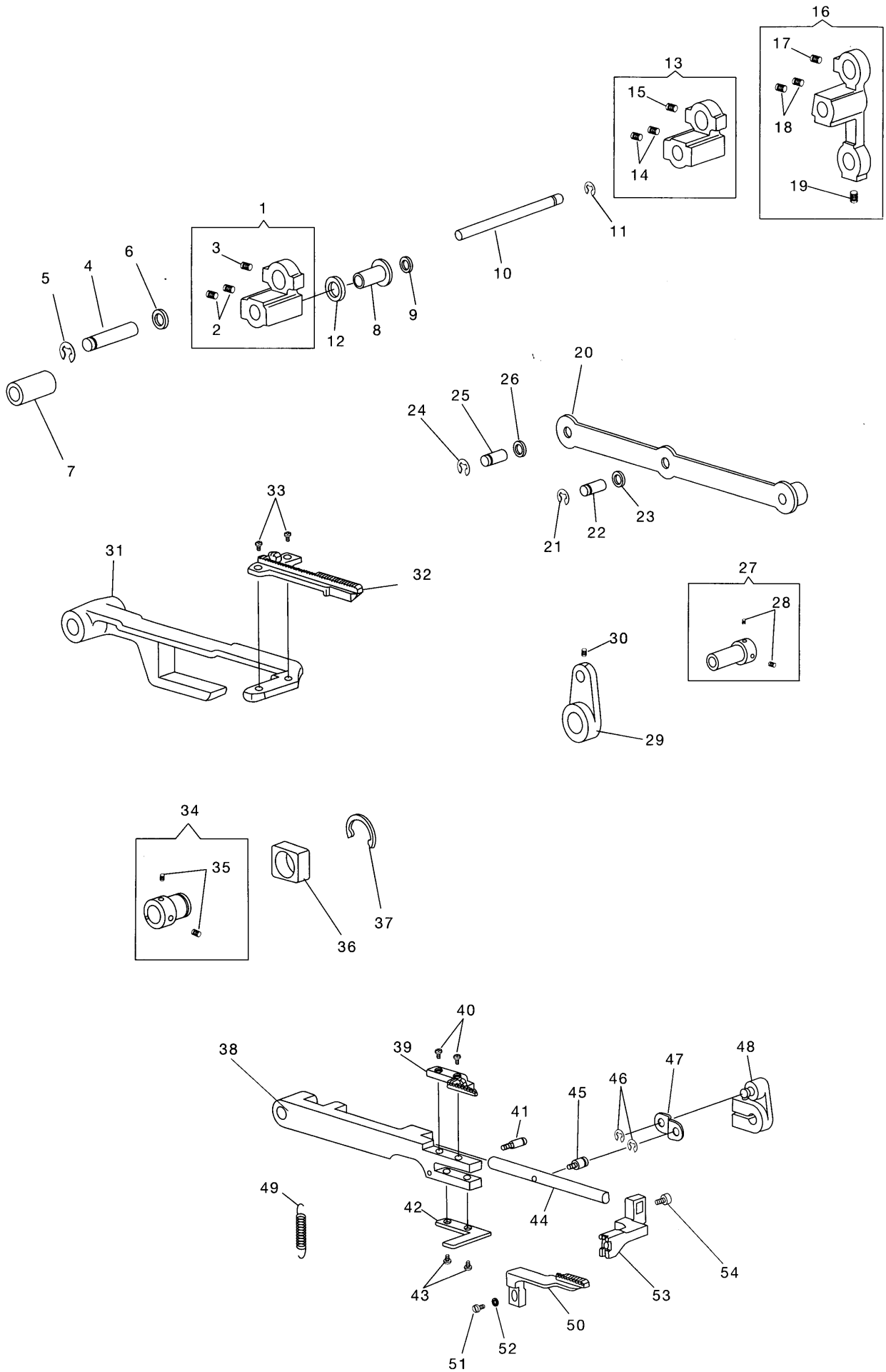
NO.	PART NO.	744	754	QTY.	DESCRIPTION
1	550396	*	*	1	RIGHT LOOPER RETAINER GUIDE COLLAR COMP.
2	544207-011	*	*	2	RIGHT LOOPER RETAINER GUIDE COLLAR SCREW
3	370281	*	*	1	RIGHT LOOPER RETAINER GUIDE BRACKET
4	410429	*	*	1	RIGHT LOOPER RETAINER GUIDE
5	544213-002	*	*	2	RIGHT LOOPER RETAINER GUIDE BRACKET SCREW
6	550568	*	*	1	RIGHT LOOPER
7	414749-003	*	*	1	RIGHT LOOPER SCREW
8	410435	*	*	1	RIGHT LOOPER RETAINER
9	370290	*	*	1	RIGHT LOOPER RETAINER DRIVING LEVER STUD
10	550587	*	*	1	RIGHT LOOPER RETAINER DRIVING LEVER COMP.
11	544207-011	*	*	1	RIGHT LOOPER RETAINER DRIVING LEVER STUD SCREW
12	544213-053	*	*	1	RIGHT LOOPER RETAINER DRIVING LEVER CLAMPING SCREW
13	550406	*	*	1	RIGHT LOOPER THREAD GUIDE
14	544212-001	*	*	1	RIGHT LOOPER THREAD GUIDE SCREW
15	376799	*	*	1	RIGHT LOOPER SHAFT BUSHING
16	544207-011	*	*	1	RIGHT LOOPER SHAFT BUSHING SCREW
17	542402	*	*	2	RIGHT LOOPER SHAFT BUSHING THRUST WASHER
18	376813	*	*	1	RIGHT LOOPER SHAFT
19	550477	*	*	1	RIGHT LOOPER CAM COMP
20	544207-011	*	*	2	RIGHT LOOPER CAM SCREW
21	557703	*	*	1	RIGHT LOOPER CAM ROD COMP.
22	412796	*	*	1	RIGHT LOOPER SHAFT LEVER COMP.
23	414750-001	*	*	1	RIGHT LOOPER SHAFT LEVER CLAMPING SCREW
24	374136	*	*	1	RIGHT LOOPER CAM ROD END SCREW STUD
25	557703	*	*	1	LEFT LOOPER CAM ROD COMP.
26	550477	*	*	1	LEFT LOOPER CAM COMP.
27	544207-011	*	*	2	LEFT LOOPER CAM SCREW
28	412798	*	*	1	LEFT LOOPER SHAFT LEVER COMP.
29	414750-001	*	*	1	LEFT LOOPER SHAFT LEVER CLAMPING SCREW
30	374136	*	*	1	LEFT LOOPER CAM ROD END SCREW STUD
31	550411	*	*	1	LEFT LOOPER
32	544211-052	*	*	1	LEFT LOOPER SCREW
33	376839-900	*	*	1	LEFT LOOPER HOLDER
34	414750-001	*	*	1	LEFT LOOPER HOLDER CLAMPING SCREW
35	281481	*	*	1	NEEDLE GUARD (BACK) (FOR OVEREDGE NEEDLE)
36	374392	*	*	1	NEEDLE GUARD (BACK)(FOR OVEREDGE NEEDLE) ADJUSTING SCREW
37	544212-001	*	*	1	NEEDLE GUARD (BACK) (FOR OVEREDGE NEEDLE) SCREW
38	550410	*	*	1	LEFT LOOPER HOLDER THREAD GUIDE
39	544212-001	*	*	1	LEFT LOOPER HOLDER THREAD SCREW
40	376798	*	*	1	LEFT LOOPER SHAFT BUSHING
41	544207-011	*	*	1	LEFT LOOPER SHAFT BUSHING SCREW
42	542402	*	*	2	RIGHT LOOPER SHAFT BUSHING THRUST WASHER
43	550407	*	*	1	RIGHT LOOPER SHAFT



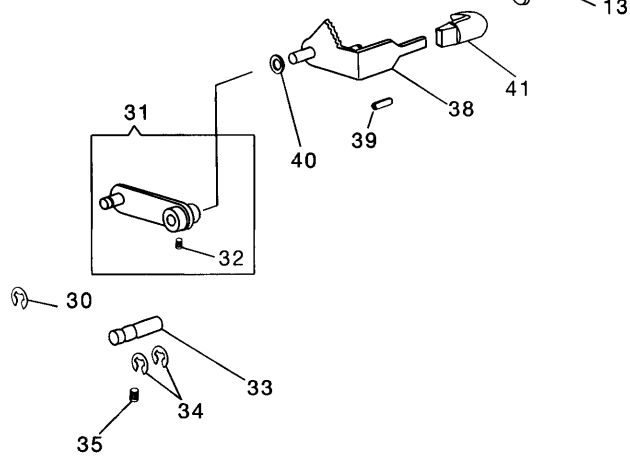
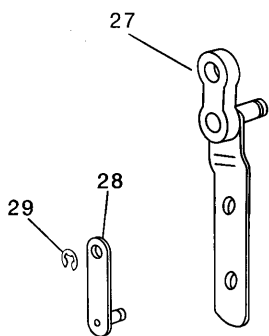
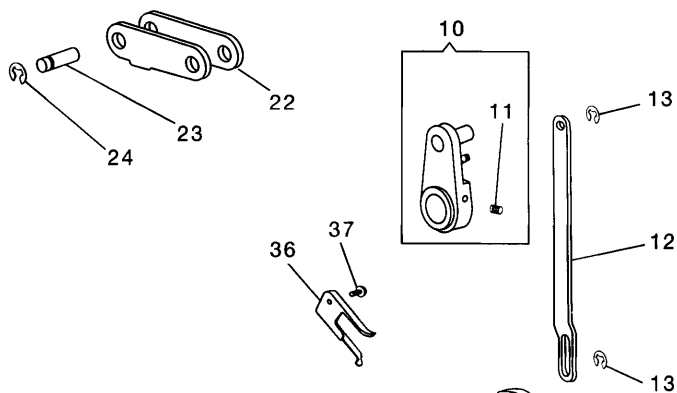
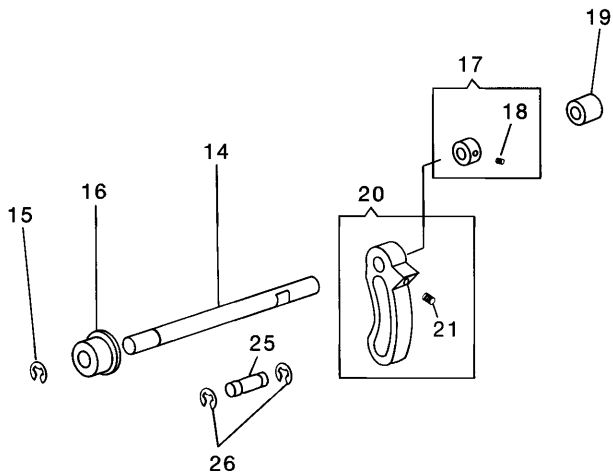
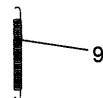
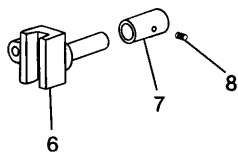
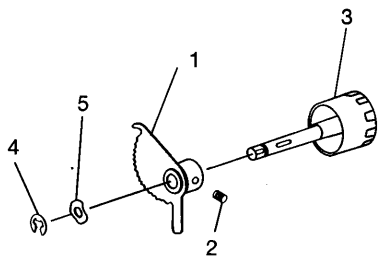
NO.	PART NO.	744	754	QTY.	DESCRIPTION
1	550443-452	*	*	1	THROAT PLATE
2	550553	*	*	2	THROAT PLATE POSITION SCREW
3	550437-391	*	*	1	KNIFE (MOVABLE) LEVER COMP.
4	542402	*	*	1	KNIFE (MOVABLE) FORKED LEVER STUD BUSHING THRUST WASHER
5	550440	*	*	1	KNIFE (MOVABLE) FORKED LEVER STUD BUSHING
6	544207-011	*	*	1	KNIFE (MOVABLE) FORKED LEVER STUD BUSHING SCREW
7	550633	*	*	1	KNIFE (MOVABLE) FORKED LEVER COMP.
8	414750-004	*	*	1	KNIFE (MOVABLE) FORKED LEVER SCREW
9	412585	*	*	1	KNIFE (MOVABLE)
10	412586	*	*	1	KNIFE (MOVABLE) HOLDER
11	544407	*	*	1	KNIFE (MOVABLE) SCREW
12	410307	*	*	1	KNIFE (MOVABLE) HOLDER SPRING
13	550581	*	*	1	KNIFE (MOVABLE) HOLDER COLLAR COMP.
14	544207-011	*	*	1	KNIFE (MOVABLE) HOLDER COLLAR SCREW
15	414744-003	*	*	1	KNIFE (STATIONARY) HOLDER STUD SCREW
16	541217	*	*	1	KNIFE (STATIONARY) HOLDER STUD SCREW WASHER
17	412774	*	*	1	KNIFE (STATIONARY) HOLDER STUD SPRING
18	550457	*	*	1	KNIFE (STATIONARY) HOLDER STUD
19	550452	*	*	1	SEAM WIDTH FINGER SPRING
20	543803-002	*	*	1	SEAM WIDTH FINGER SPRING WASHER
21	544211-002	*	*	1	SEAM WIDTH FINGER SPRING SCREW
22	550450	*	*	1	SEAM WIDTH FINGER
23	550453-391	*	*	1	SEAM WIDTH FINGER KNOB
24	550448	*	*	1	KNIFE (STATIONARY) HOLDER
25	550449	*	*	1	KNIFE (STATIONARY)
26	544211-051	*	*	1	KNIFE (STATIONARY) SCREW
27	550451-391	*	*	1	SEAM WIDTH FINGER SUPPORT PLATE
28	544211-002	*	*	1	SEAM WIDTH FINGER SUPPORT PLATE SCREW
29	550454	*	*	1	SEAM WIDTH CONTROL DIAL COMP.
30	544207-011	*	*	1	SEAM WIDTH CONTROL DIAL SCREW
31	550602	*	*	1	SEAM WIDTH CONTROL DIAL SPRING
32	543803-002	*	*	1	SEAM WIDTH CONTROL DIAL SPRING WASHER
33	544211-002	*	*	1	SEAM WIDTH CONTROL SPRING SCREW
34	550549	*	*	1	SEAM WIDTH CONTROL SCREW
35	550456	*	*	1	SEAM WIDTH CONTROL SCREW BUSHING
36	543801-003	*	*	2	SEAM WIDTH CONTROL SCREW RETAINING RING
37	550359	*	*	1	SEAM WIDTH CONTROL SCREW SPRING
38	544207-011	*	*	1	SEAM WIDTH CONTROL STUD SCREW
39	556149	*	*	1	NEEDLE GUARD BRACKET
40	550432	*	*	1	NEEDLE GUARD (FRONT) FOR OVEREDGE NEEDLE
41	544211-001	*	*	1	NEEDLE GUARD (FRONT) FOR OVEREDGE NEEDLE SCREW
42	374392-002	*	*	1	NEEDLE GUARD (FRONT) FOR OVEREDGE NEEDLE ADJUSTING SCREW
43	544212-001	*	*	1	NEEDLE GUARD BRACKET COMP. SCREW
44	550436-391	*	*	1	KNIFE (MOVABLE) COMP.
45	550447	*	*	1	KNIFE (STATIONARY) COMP.
46	550598	*	*	1	SEAM WIDTH CONTROL SCREW COMP.



NO.	PART NO.	744	754	QTY.	DESCRIPTION
1	550467	*	*	1	FEED CRANK (LEFT) COMP.
2	544207-011	*	*	2	FEED CRANK (LEFT) SCREW
3	544207-011	*	*	1	FEED CRANK (LEFT) STUD SCREW
4	550473	*	*	1	FEED CRANK (LEFT) STUD
5	543801-006	*	*	1	FEED CRANK (LEFT) STUD RETAINING RING
6	542402	*	*	1	FEED CRANK (LEFT) STUD THRUST WASHER
7	550460	*	*	1	FEED CRANK SHAFT BUSHING (LEFT)
8	550459	*	*	1	FEED CRANK SHAFT BUSHING (RIGHT)
9	543531	*	*	1	FEED CRANK SHAFT THRUST WASHER
10	550458	*	*	1	FEED CRANK SHAFT
11	543801-005	*	*	1	FEED CRANK SHAFT BUSHING RETAINING RING
12	543815-006	*	*	1	FEED CRANK SHAFT THRUST WASHER
13	550467	*	-	1	FEED CRANK (RIGHT) COMP.
14	544207-011	*	-	2	FEED CRANK (RIGHT) SCREW
15	544207-011	*	-	1	FEED CRANK (RIGHT) STUD SCREW
16	550471	-	*	1	FEED CRANK (RIGHT) (FOR DIFF.FEED) COMP.
17	544207-011	-	*	1	FEED CRANK (RIGHT) (FOR DIFF.FEED) SCREW.
18	544207-011	-	*	2	FEED CRANK (RIGHT) STUD SCREW
19	544207-011	-	*	1	DIFFERENTIAL FEED CRANK STUD SCREW
20	550464	*	*	1	FEED REGULATOR CRANK ROD COMP.
21	543801-006	*	*	1	FEED CRANK ROD STUD RETAINING RING
22	412635	*	*	1	FEED CRANK ROD STUD
23	543531	*	*	1	FEED CRANK ROD STUD THRUST WASHER
24	543801-006	*	*	1	FEED CRANK (RIGHT) STUD RETAINING RING
25	550469	*	*	1	FEED CRANK (RIGHT) STUD
26	542402	*	*	1	FEED CRANK (RIGHT) STUD THRUST WASHER
27	556086	*	*	1	FEED CAM COMP.
28	544207-011	*	*	2	FEED CAM SCREW
29	550463-900	*	*	1	FEED CRANK ROD
30	544207-011	*	*	1	FEED CRANK ROD PIN SCREW
31	550583	*	-	1	FEED BAR
32	550483	*	-	1	FEED DOG
33	544103	*	-	2	FEED DOG SCREW
34	550579	*	*	1	FEED LIFTING CAM COMP.
35	544207-011	*	*	2	FEED LIFTING CAM SCREW
36	410387	*	*	1	FEED LIFTING CAM SLIDE BLOCK
37	543818-010	*	*	1	FEED LIFTING CAM SLIDE BLOCK RETAINING RING
38	550638	-	*	1	MAIN FEED BAR
39	550499	-	*	1	MAIN FEED DOG
40	544211-002	-	*	2	MAIN FEED DOG SCREW
41	550497	-	*	1	MAIN FEED BAR SPRING SCREW STUD
42	550498	-	*	1	AUXILIARY FEED SUPPORT BRACKET
43	544211-002	-	*	2	AUXILIARY FEED SUPPORT BRACKET SCREW
44	550500	-	*	1	AUXILIARY FEED BAR
45	550503	-	*	1	AUXILIARY FEED BAR GUIDE PIN SCREW
46	543801-003	-	*	2	AUXILIARY FEED BAR LINK RETAINING RING
47	550504	-	*	1	AUXILIARY FEED BAR LINK
48	557745	-	*	1	DIFFERENTIAL FEED ARM COMP.
49	550509	-	*	1	MAIN FEED BAR SPRING
50	550502	-	*	1	AUXILIARY FEED DOG
51	544212-003	-	*	1	AUXILIARY FEED DOG SCREW
52	543804-003	-	*	1	AUXILIARY FEED DOG SCREW WASHER
53	550501	-	*	1	AUXILIARY FEED DOG HOLDER
54	544211-002	-	*	1	AUXILIARY FEED DOG HOLDER SCREW

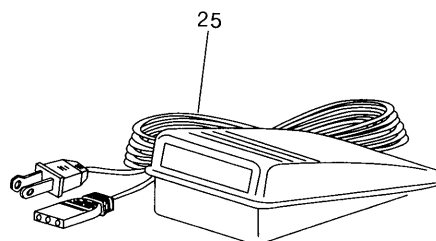
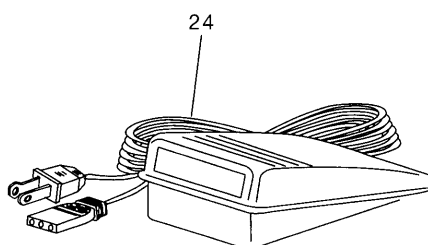
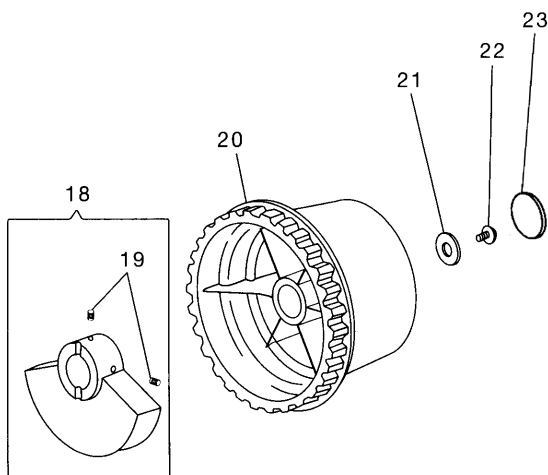
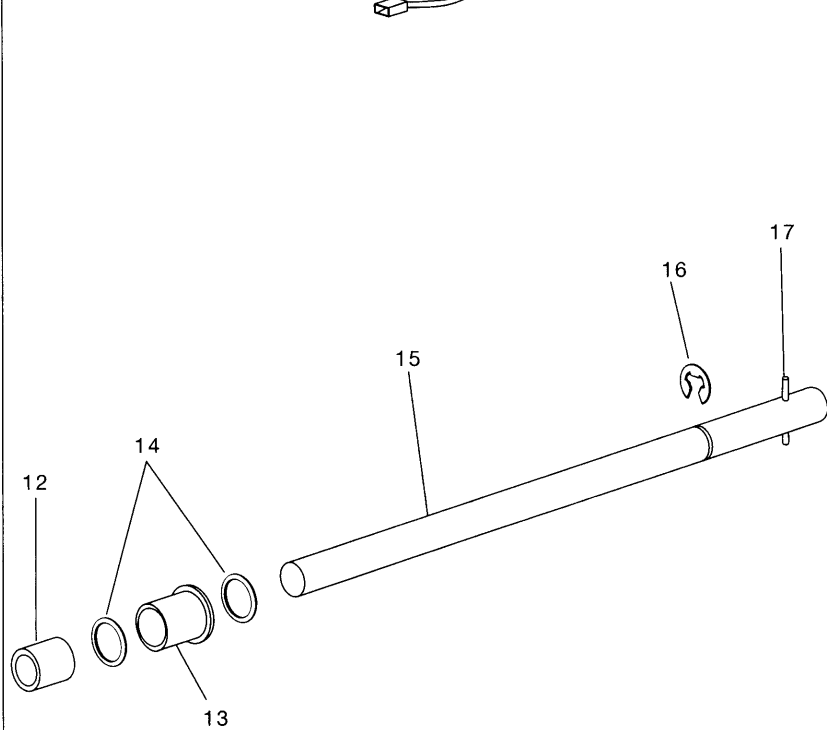
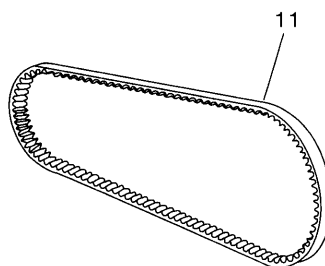
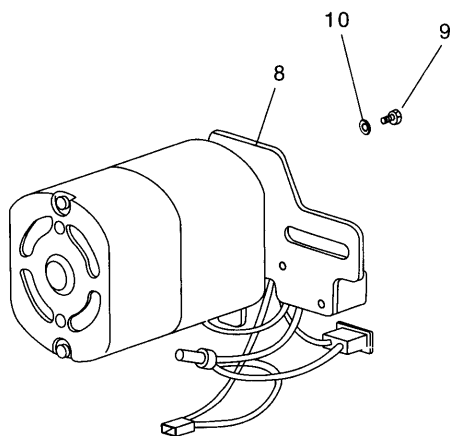
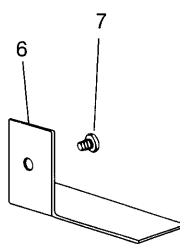
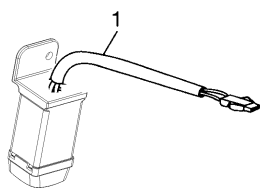


NO.	PART NO.	744	754	QTY.	DESCRIPTION
1	557715	*	*	1	FEED REGULATOR DRIVING CAM (BODY) COMP.
2	544207-011	*	*	1	FEED REGULATOR DRIVING CAM SCREW
3	557717-401	*	*	1	FEED DIAL (GRAPHIC)
4	543801-006	*	*	1	FEED DIAL (GRAPHIC) REGAINING RING
5	409213	*	*	1	FEED DIAL WAVE WASHER
6	281401	*	*	1	FEED REGULATOR
7	410370	*	*	1	FEED REGULATOR STUD BUSHING
8	544207-011	*	*	1	FEED REGULATOR STUD BUSHING SET SCREW
9	281485	*	*	1	FEED REGULATOR LEVER SPRING
10	281413	*	-	1	FEED REGULATOR LEVER COMP.
10	550490	-	*	1	FEED REGULATOR LEVER COMP.
11	544207-011	*	*	1	FEED REGULATOR LEVER SCREW
12	550523	-	*	1	DIFFERENTIAL FEED SAFETY PLATE
13	543801-002	-	*	2	DIFFERENTIAL FEED SAFETY PLATE RETAINING PLATE
14	550510	-	*	1	DIFFERENTIAL FEED SHAFT
15	543801-006	-	*	1	DIFFERENTIAL FEED SHAFT RETAINING RING
16	557748	-	*	1	DIFFERENTIAL FEED SHAFT BUSHING (LEFT)
17	375390	-	*	1	DIFFERENTIAL FEED SHAFT COLLAR COMP.
18	544207-011	-	*	1	DIFFERENTIAL FEED SHAFT COLLAR SCREW
19	410324	-	*	1	DIFFERENTIAL FEED SHAFT BUSHING
20	550584	-	*	1	DIFFERENTIAL FEED ADJUSTING ARM COMP.
21	544207-011	-	*	1	DIFFERENTIAL FEED ADJUSTING ARM SCREW
22	412622	-	*	1	DIFFERENTIAL FEED CRANK ROD
23	412620	-	*	1	DIFFERENTIAL FEED CRANK STUD
24	543801-006	-	*	1	DIFFERENTIAL FEED CRANK STUD RETAINING RING
25	412627	-	*	1	DIFFERENTIAL FEED CRANK ROD STUD
26	543801-006	-	*	2	DIFFERENTIAL FEED CRANK ROD STUD RETAINING RING
27	557728	-	*	1	DIFFERENTIAL FEED ADJUSTING LEVER (LOWER)
28	550519	-	*	1	DIFFERENTIAL FEED LEVER LINK COMP.
29	543801-005	-	*	1	DIFFERENTIAL FEED LEVER RETAINING RING
30	543801-006	-	*	1	DIFFERENTIAL FEED ADJUSTING LEVER (LOWER) RETAINING RING
31	550572	-	*	1	DIFFERENTIAL FEED LEVER COMP.
32	544207-011	-	*	1	DIFFERENTIAL FEED ADJUSTING LEVER SCREW
33	412644	-	*	1	DIFFERENTIAL FEED ADJUSTING LEVER STUD
34	543801-006	-	*	2	DIFFERENTIAL FEED ADJUSTING LEVER STUD RETAINING RING
35	544207-011	-	*	1	DIFFERENTIAL FEED ADJUSTING LEVER STUD SCREW
36	550524	-	*	1	DIFFERENTIAL FEED ADJUSTING LEVER SPRING
37	544270-001	-	*	1	DIFFERENTIAL FEED ADJUSTING LEVER SPRING SCREW
38	557733	-	*	1	DIFFERENTIAL FEED ADJUSTING LEVER COMP.
39	543808-003	-	*	1	DIFFERENTIAL FEED ADJUSTING LEVER PIN
40	543803-005	-	*	1	DIFFERENTIAL FEED ADJUSTING LEVER WASHER
41	557720-391	-	*	1	DIFFERENTIAL FEED ADJUSTING LEVER KNOB



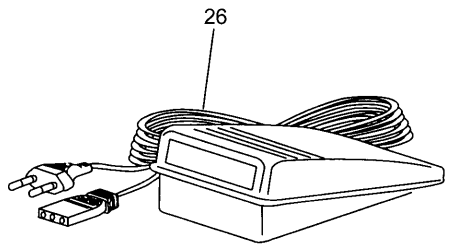
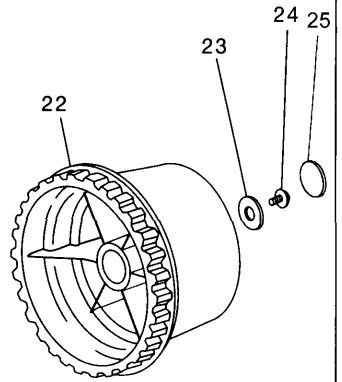
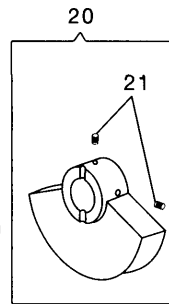
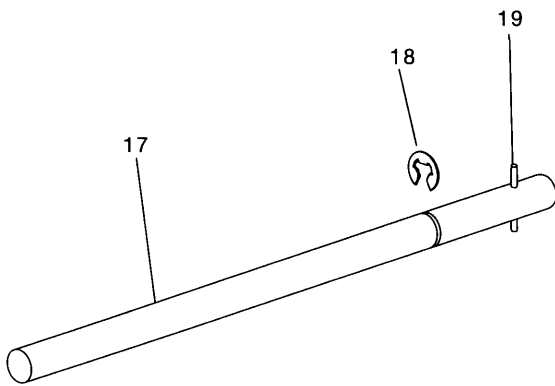
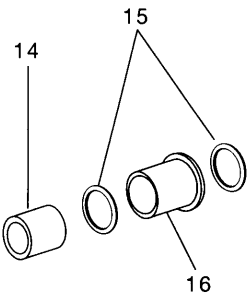
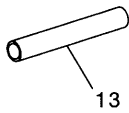
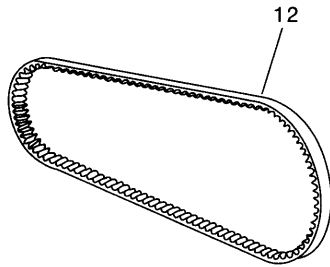
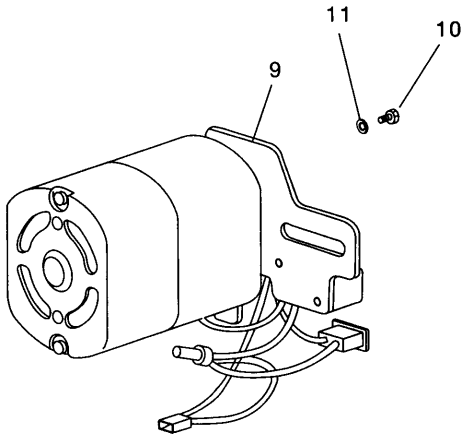
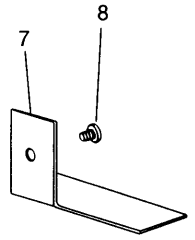
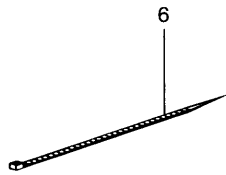
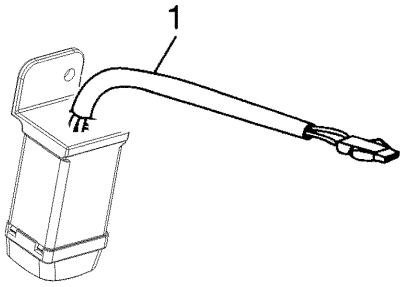
NO.	PART NO.	744	754	QTY.	DESCRIPTION
1	130629 - 003	*	*	1	LED LIGHT COMP.(FOR 120-127V)
6	412737	*	*	1	CORD CLAMPING PLATE
7	544212-001	*	*	1	CORD CLAMPING PLATE SCREW
8	369432-120	*	*	1	MOTOR, SWITCH COMP. (FOR 120V)
8	369432-127	*	*	1	MOTOR, SWITCH COMP. (FOR 127V)
9	544499-001	*	*	1	MOTOR, BRACKET SCREW
10	543805-005	*	*	1	MOTOR, BRACKET SCREW WASHER
11	557725	*	*	1	TIMING BELT
12	410252	*	*	1	ROTATING SHAFT BUSHING (LEFT)
13	410253	*	*	1	ROTATING SHAFT BUSHING (RIGHT)
14	408730	*	*	2	ROTATING SHAFT THRUST WASHER
15	557723	*	*	1	ROTATING SHAFT
16	543801-010	*	*	1	ROTATING SHAFT RETAINING RING
17	543808-004	*	*	1	ROTATING SHAFT SPRING PIN
18	550527	*	*	1	ROTATING SHAFT BALANCE WEIGHT COMP.
19	544207-011	*	*	2	ROTATING SHAFT BALANCE WEIGHT COMP.SCREW
20	364290-900	*	*	1	TIMING BELT PULLEY
21	543848	*	*	1	TIMING BELT PULLEY SET SCREW WASHER
22	544270-001	*	*	1	TIMING BELT PULLEY SET SCREW
23	130626-900	*	*	1	TIMING BELT PULLEY COVER
24	369434-003	*	*	1	CONTROLLER COMP. (TRIAC 100-120V)(PLUG A-TYPE)
25	369434-013	*	*	1	CONTROLLER COMP. (TRIAC 127V)(PLUG A-TYPE)

120V, 127V



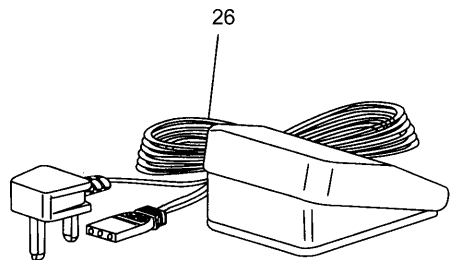
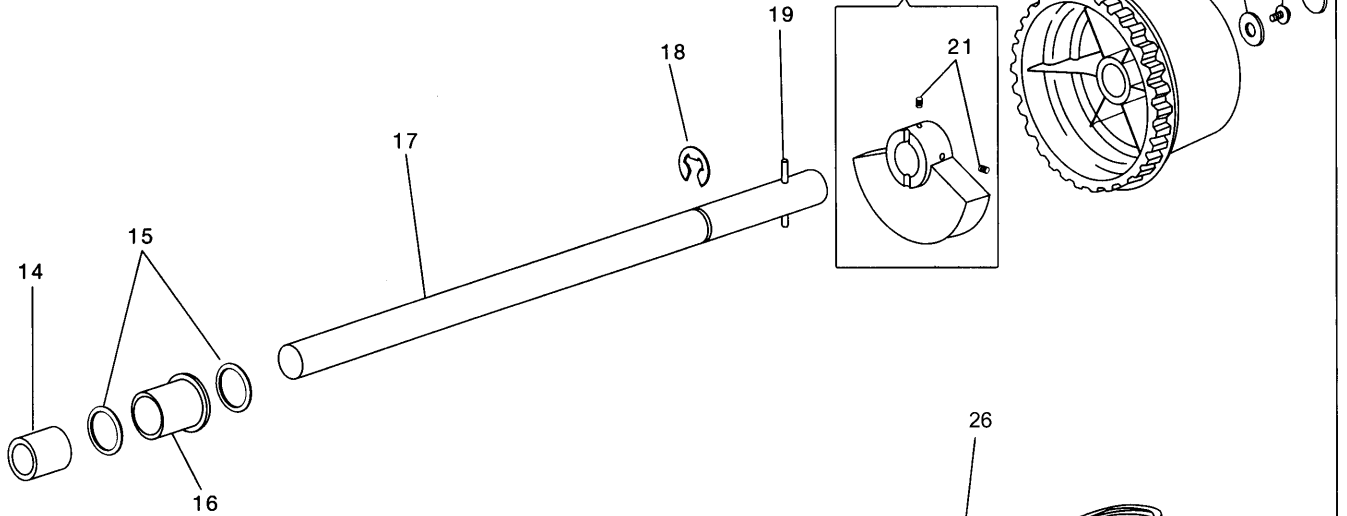
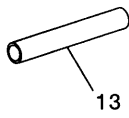
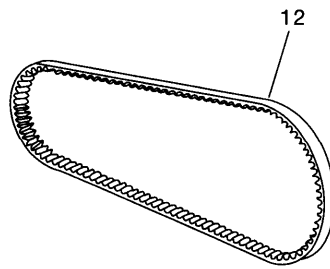
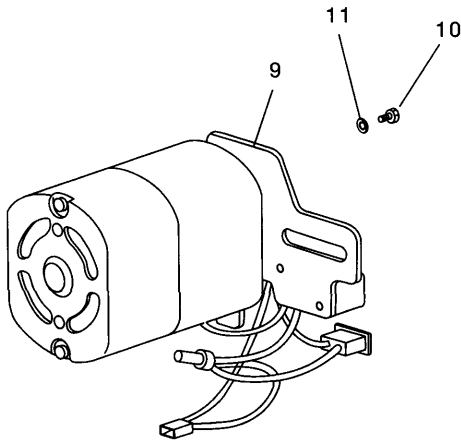
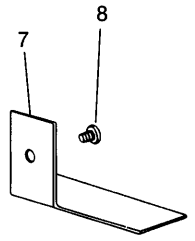
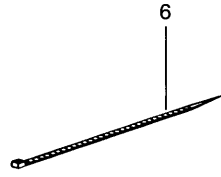
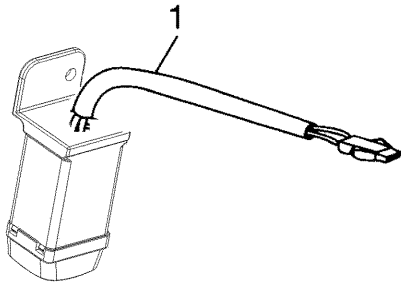
NO.	PART NO.	744	754	QTY.	DESCRIPTION
1	130629 - 002	*	*	1	LED LIGHT COMP.(FOR 220-240V)
6	540889	*	*	2	CORD RETAINER
7	412737	*	*	1	CORD CLAMPING PLATE
8	544212-001	*	*	1	CORD CLAMPING PLATE SCREW
9	364299-001	*	*	1	MOTOR, SWITCH COMP. (220V)
10	544499-001	*	*	1	MOTOR, BRACKET SCREW
11	543805-005	*	*	1	MOTOR, BRACKET SCREW WASHER
12	557725	*	*	1	TIMING BELT
13	419161-906	*	*	1	TUBE (FOR 220-240V)
14	410252	*	*	1	ROTATING SHAFT BUSHING (LEFT)
15	408730	*	*	2	ROTATING SHAFT THRUST WASHER
16	410253	*	*	1	ROTATING SHAFT BUSHING (RIGHT)
17	557723	*	*	1	ROTATING SHAFT
18	543801-010	*	*	1	ROTATING SHAFT RETAINING RING
19	543808-004	*	*	1	ROTATING SHAFT SPRING PIN
20	550527	*	*	1	ROTATING SHAFT BALANCE WEIGHT COMP.
21	544207-011	*	*	2	ROTATING SHAFT BALANCE WEIGHT COMP.SCREW
22	364290-900	*	*	1	TIMING BELT PULLEY
23	543848	*	*	1	TIMING BELT PULLEY SET SCREW WASHER
24	544270-001	*	*	1	TIMING BELT PULLEY SET SCREW
25	130626-900	*	*	1	TIMING BELT PULLEY COVER
26	364297-001	*	*	1	CONTROLLER COMP. (CARBON 220-250V)(PLUG C-TYPE)

220V



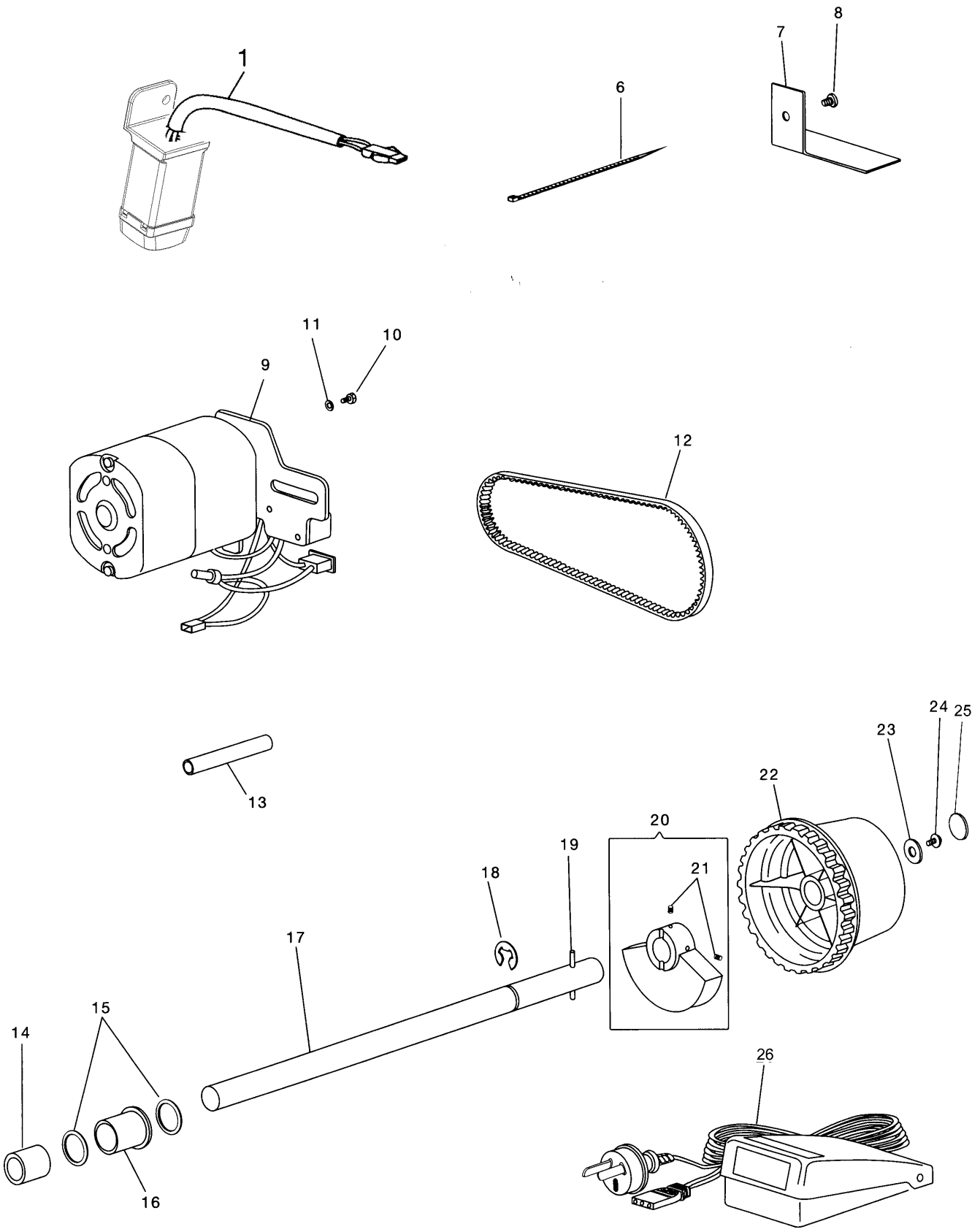
NO.	PART NO.	744	754	QTY.	DESCRIPTION
1	130629 - 002	*	*	1	LED LIGHT COMP.(FOR 220-240V)
6	540889	*	*	2	CORD RETAINER
7	412737	*	*	1	CORD CLAMPING PLATE
8	544212-001	*	*	1	CORD CLAMPING PLATE SCREW
9	364299-001	*	*	1	MOTOR, SWITCH COMP. (FOR 230V)
10	544499-001	*	*	1	MOTOR, BRACKET SCREW
11	543805-005	*	*	1	MOTOR, BRACKET SCREW WASHER
12	557725	*	*	1	TIMING BELT
13	419161-906	*	*	1	TUBE (FOR 220-240V)
14	410252	*	*	1	ROTATING SHAFT BUSHING (LEFT)
15	408730	*	*	2	ROTATING SHAFT THRUST WASHER
16	410253	*	*	1	ROTATING SHAFT BUSHING (RIGHT)
17	557723	*	*	1	ROTATING SHAFT
18	543801-010	*	*	1	ROTATING SHAFT RETAINING RING
19	543808-004	*	*	1	ROTATING SHAFT SPRING PIN
20	550527	*	*	1	ROTATING SHAFT BALANCE WEIGHT COMP.
21	544207-011	*	*	1	ROTATING SHAFT BALANCE WEIGHT COMP.SCREW
22	364290-900	*	*	1	TIMING BELT PULLEY
23	543848	*	*	1	TIMING BELT PULLEY SET SCREW WASHER
24	544270-001	*	*	1	TIMING BELT PULLEY SET SCREW
25	130626-900	*	*	1	TIMING BELT PULLEY COVER
26	364297-002	*	*	1	CONTROLLER COMP. (CARBON 230V)(PLUG BF-TYPE)

230V

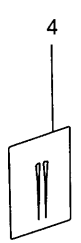
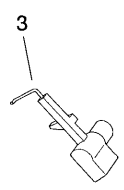
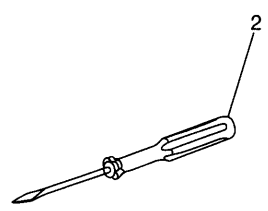
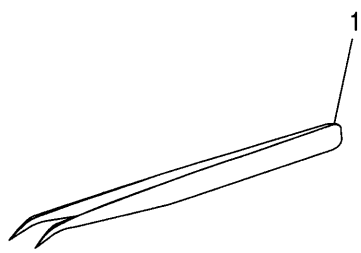


NO.	PART NO.	744	754	QTY.	DESCRIPTION
1	130629 - 002	*	*	1	LED LIGHTCOMP.(FOR 220-240V)
6	540889	*	*	2	CORD RETAINER
7	412737	*	*	1	CORD CLAMPING PLATE
8	544212-001	*	*	1	CORD CLAMPING PLATE SCREW
9	364299-001	*	*	1	MOTOR, SWITCH BOX COMP. (FOR 240V)
10	544499-001	*	*	1	MOTOR, BRACKET SCREW
11	543805-005	*	*	1	MOTOR, BRACKET SCREW WASHER
12	557725	*	*	1	TIMING BELT
13	419161-906	*	*	1	TUBE (FOR 220-240V)
14	410252	*	*	1	ROTATING SHAFT BUSHING (LEFT)
15	408730	*	*	2	ROTATING SHAFT THRUST WASHER
16	410253	*	*	1	ROTATING SHAFT BUSHING (RIGHT)
17	557723	*	*	1	ROTATING SHAFT
18	543801-010	*	*	1	ROTATING SHAFT RETAINING RING
19	543808-004	*	*	1	ROTATING SHAFT SPRING PIN
20	550527	*	*	1	ROTATING SHAFT BALANCE WEIGHT COMP.
21	544207-011	*	*	2	ROTATING SHAFT BALANCE WEIGHT COMP.SCREW
22	364290-900	*	*	1	TIMING BELT PULLEY
23	543848	*	*	1	TIMING BELT PULLEY SET SCREW WASHER
24	544270-001	*	*	1	TIMING BELT PULLEY SET SCREW
25	130626-900	*	*	1	TIMING BELT PULLEY COVER
26	364297-003	*	*	1	CONTROLLER COMP. (CARBON 220-250V)(PLUG S-TYPE)

240V



NO.	PART NO.	744	754	QTY.	DESCRIPTION
1	376638	*	*	1	TWEEZERS
2	541514	*	*	1	SCREW DRIVER (SMALL)
3	550547	*	*	1	SPREADER
4	552225	*	*	1	NEEDLE PACK



Note:

