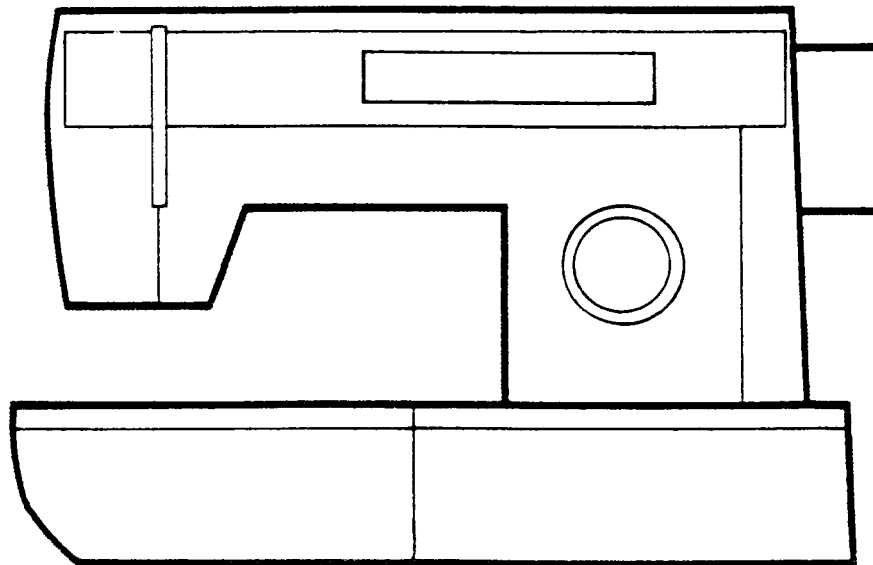


SINGER
1411,1425

LIST OF PARTS

Model 1411 , 1425

HOUSEHOLD SEWING MACHINES



by **SINGER***



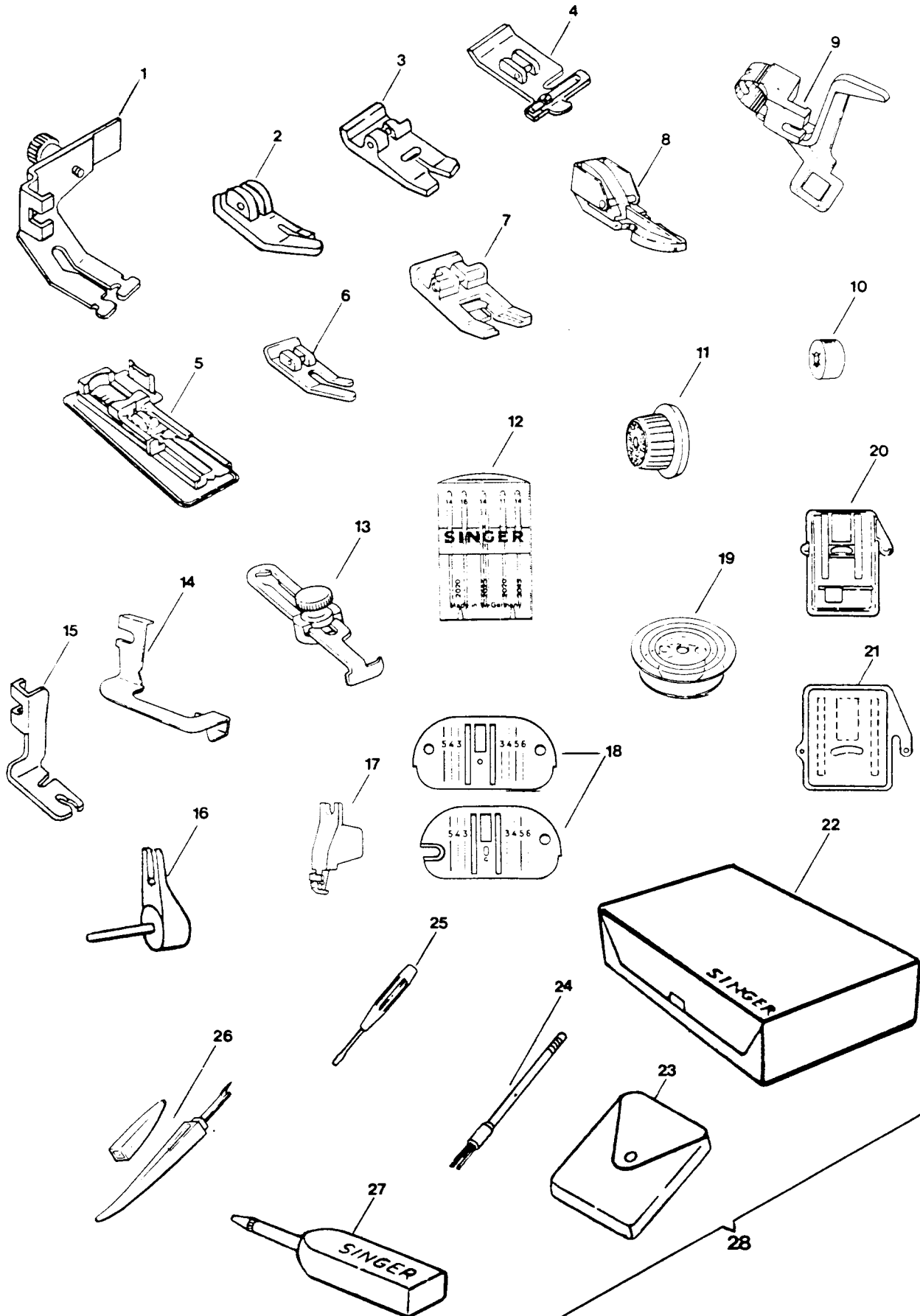
A Publication of SPG Parts and Services

CONTENTS

PAGE NO.	SUBASSEMBLY
1 , 2	ATTACHMENT SET
3 - 6	COVERS AND ADD ONS
7 , 8	HOOK AREA
9 , 10	TENSION MODULE
11 , 12	NEEDLE BAR DRIVE AND HANDWHEEL
13 , 14	FEED CONTROL MECHANISM
15 - 18	FEED MECHANISM
19 - 24	HEAD END MODULE
25-28	DISC CAM STACK AND CAM FEED
29-32	CAM RELEASE MECHANISM
33-36	DISC CAM SELECTION
37 , 38	ELECTRICAL EQUIPMENT

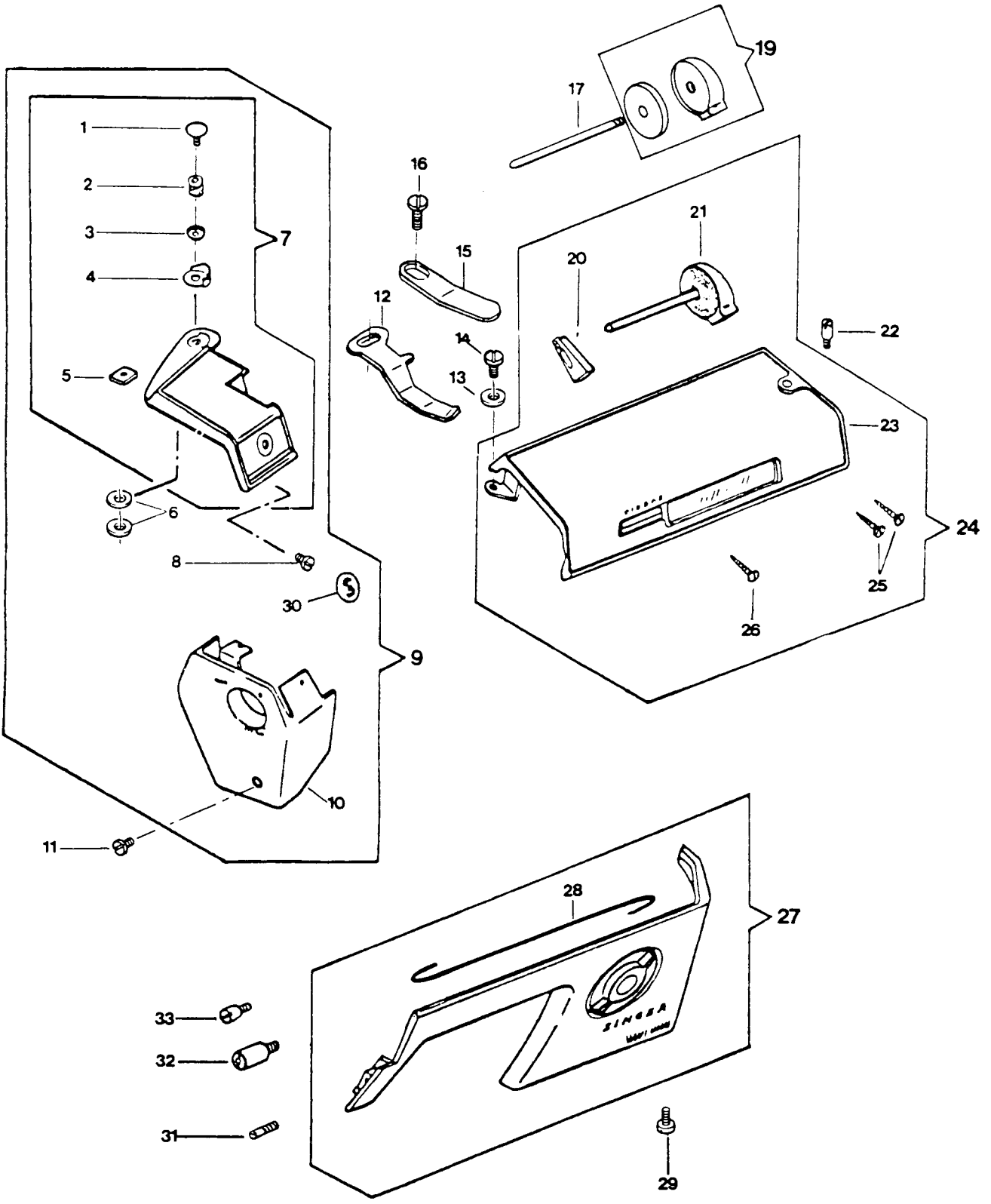
NOTE : WHEN ORDERING REPLACEMENT PARTS PLEASE REFER
TO YOUR MACHINES MODEL NUMBER.

ATTACHMENT SET

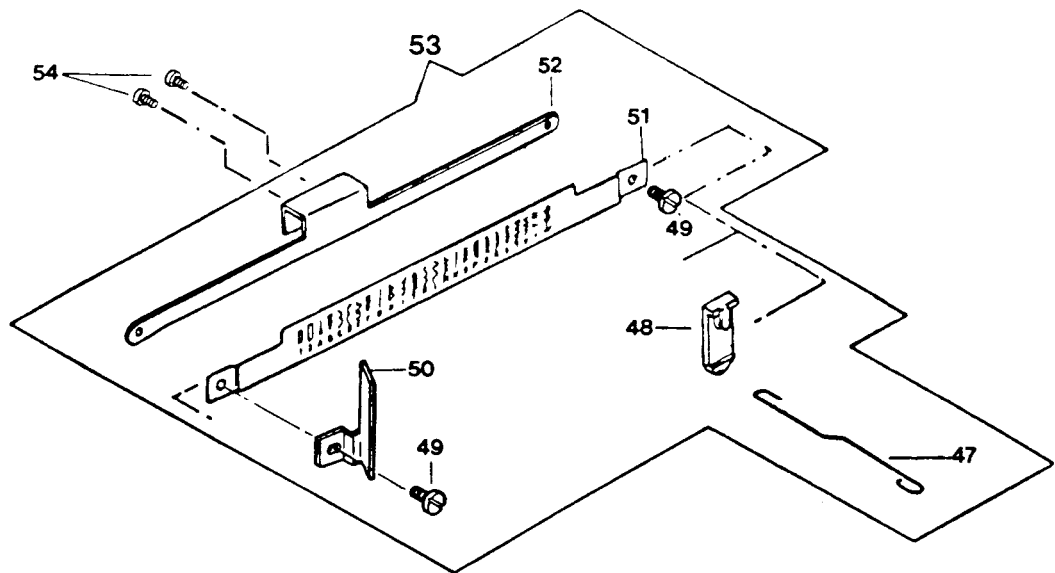
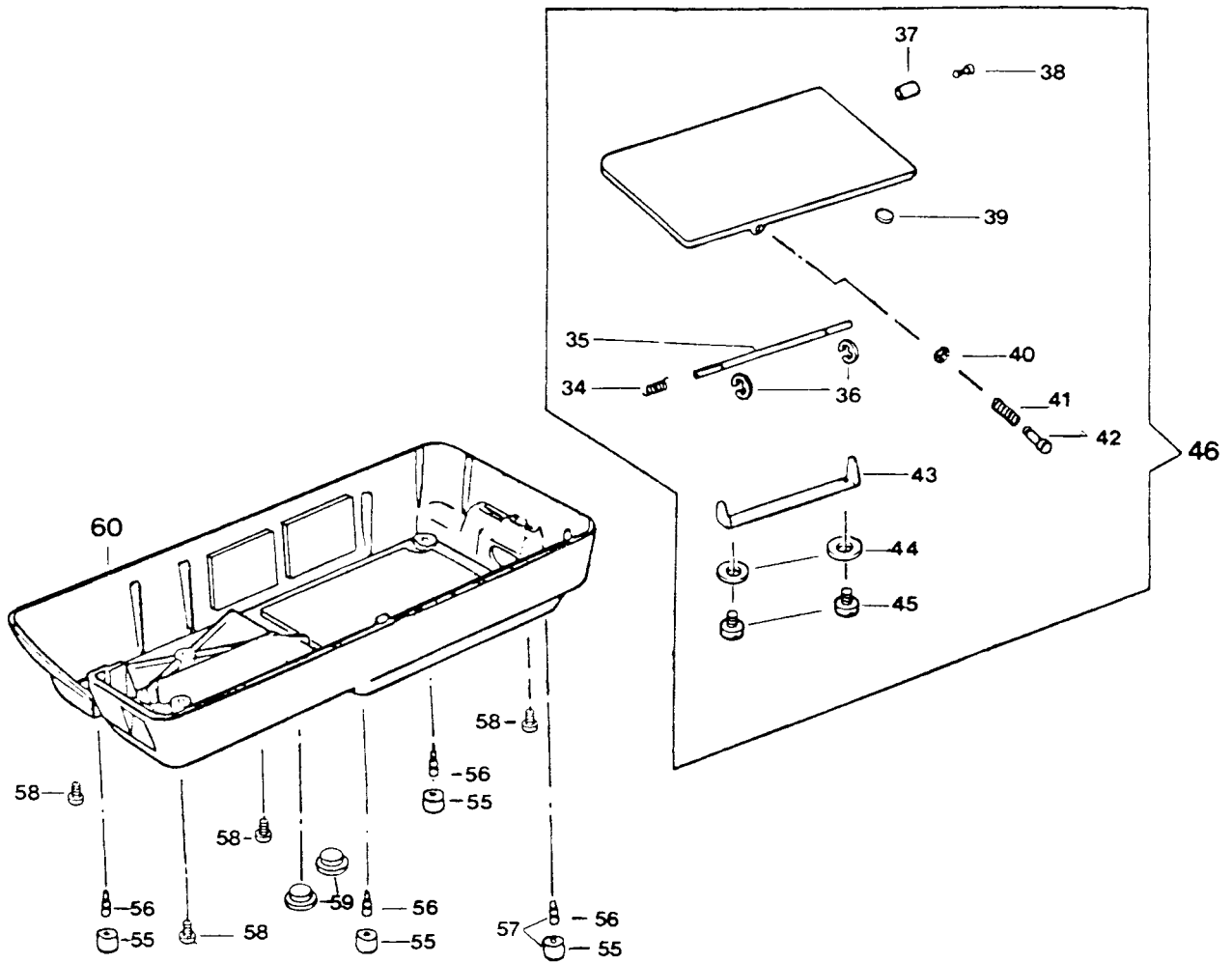


REF.	PART #	ATTACHMENT SET #	
			1 1 1 1 1 1 1
			0 4 4 4 4 4 4
			4 2 2 1 2 1
			0 5 5 1 5 1
			G G U U U N N
1	540275	Zipper Foot	X X
2	409377-001	Straight Stitch Presser Foot Plate Complete	X X
3	506377	Presser Ft. Plate (snap-on) for Buttonhl. Stitching Comp.	X X
4	543106	Shirring Presser Foot Plate (snap-on) Complete	X X
5	421606-451	Buttonhole Presser Foot (1 step) Complete	X X
	421011-451	Buttonhole Presser Foot (1 step) Complete	X X
	421012-451	Buttonhole Presser Foot (1 step) Complete	X X X X
6	502277-452	Straight Stitch Presser Foot Plate Complete	X X
	409377	Straight Stitch Presser Foot Plate Complete	X X
7	171463	Special Purpose Presser Foot Plate (snap-on)(plastic)	X X X X X X
8	171480	Presser Foot Plate for Cording and Side Fasteners	
		Complete	X X X X X
9	507909	Darning and Embroidery Foot	X X X X X X
10	540169-451	Arm Top Cover Spool Pin Thread Lead-off (small) Complete	X
	540169-454	Arm Top Cover Spool Pin Thread Lead-off (small) Complete	X X X
	540169-455	Arm Top Cover Spool Pin Thread Lead-off (small) Complete	X X
11	540165-451	Arm Top Cover Spool Pin Thread Lead-off Complete	X
	540165-454	Arm Top Cover Spool Pin Thread Lead-off Complete	X X X
	540165-455	Arm Top Cover Spool Pin Thread Lead-off Complete	X X
12	384063	Needle Pack (plastic)	X X X X X X
	543073	Needle Pack (plastic)	X X
13	161172	Seam Guide Complete	X X X X X X
14	171110	Blindstitch Guide	X X X X X X
15	546119	Hemmer Foot	X X
16	408677-453	Spool Pin for Twin Needle Sewing	X
	408677-451	Spool Pin for Twin Needle Sewing	X X X X X
17	503277	Needle Threader Complete	X X
	543178	Needle Threader Complete	X X X X
18	506230	Throat Plate for Straight Sewing	X
	409287	Throat Plate for Straight Sewing	X X X X X
19	506417	Rotating Hook Bobbin (plastic) 3X	X X X X X X
	408432	Rotating Hook Bobbin (plastic) 10X	X X
20	383685	Feed Cover Plate for Darning	X X X X X X
21	381388	Feed Cover Plate for Darning	X X
22	543082	Accessory Box	X X
	381310-452	Accessory Box	X X X X
23	543133	Sewing Kit	X X
24	501750	Lint Brush	X X
	546358	Lint Brush	X X X X
25	161977-452	Screwdriver (small)	X X
	161295-001	Screwdriver (small)	X X X X
26	503407	Seam Ripper Complete	X X
	543135	Seam Ripper Complete	X X X X
27	541574	Oil Tube	X X
28	422186-451	Attachment Set Complete	X
	422539-451	Attachment Set Complete	X

COVERS AND ADD ONS



COVERS AND ADD ONS

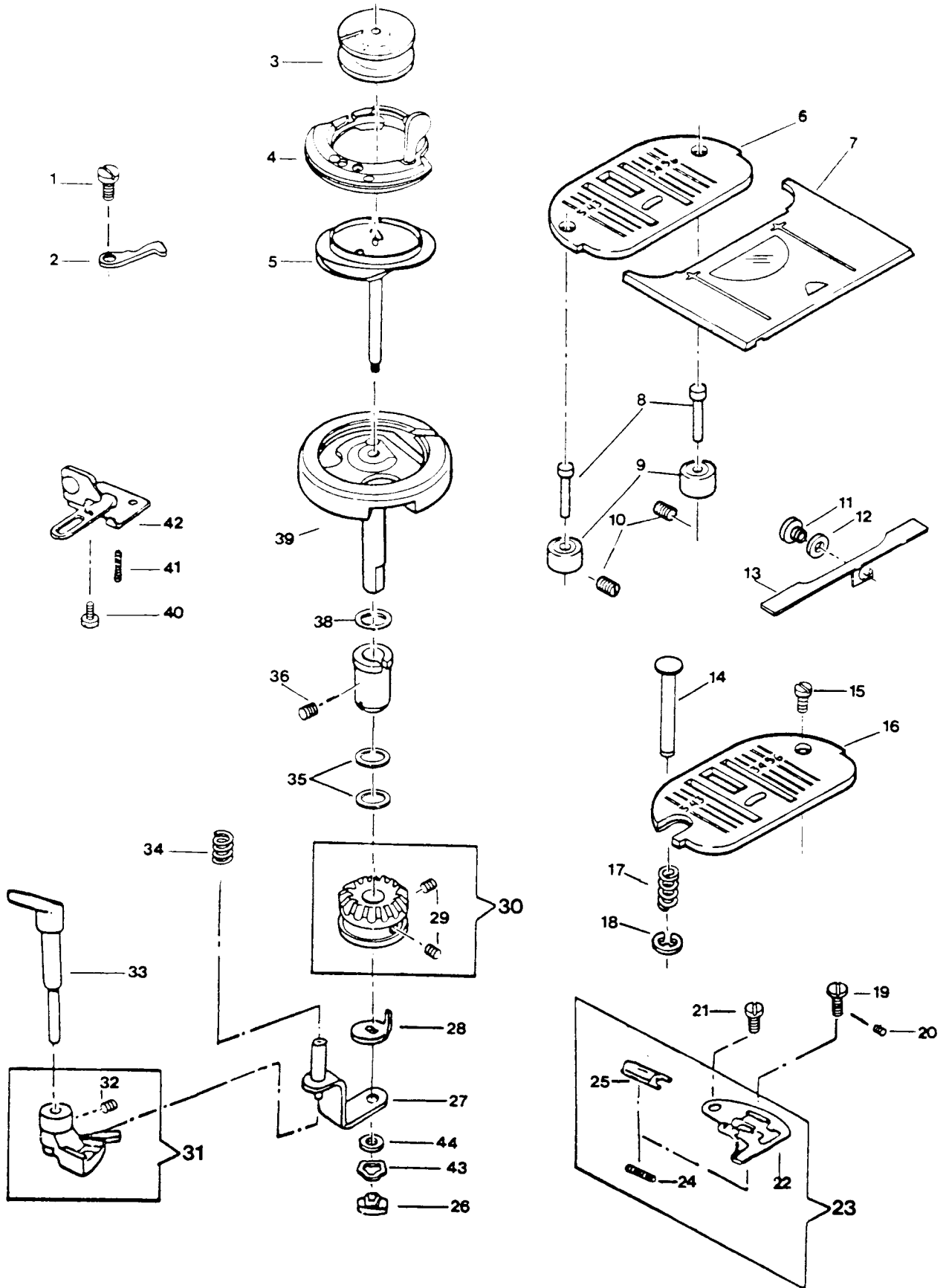


REF. #	PART #	COVERS AND ADD ONS (CONTINUATION)	G	U	N	I	N	I
34	381876	Bed Lid Hinge Bracket Spring	X	X	X	X	X	X
35	408916	Bed Lid Hinge Pin	X	X	X	X	X	X
36	408030	Bed Lid Hinge Retaining Ring (2)			X	X	X	X
	507343	Bed Lid Hinge Retaining Ring (2)	X	X				
37	408684	Bed Lid Positioning Button Vinyl Tube	X	X	X	X	X	X
38	381878	Bed Lid Positioning Button	X	X	X	X	X	X
39	619491-002	Bed Lid Rubber Cushion	X	X	X	X	X	X
40	546623	Bed Lid Latch Retaining Ring			X	X	X	X
	507309	Bed Lid Latch Retaining Ring	X	X				
41	381877	Bed Lid Latch Spring	X	X	X	X	X	X
42	381874-451	Bed Lid Latch	X	X	X	X	X	X
43	408266	Bed Lid Hinge Bracket	X	X	X	X	X	X
44	408098	Bed Lid Hinge Bracket Fastening Screw Washer (2)	X	X	X	X	X	X
45	544078	Bed Lid Hinge Bracket Fastening Screw (2)	X	X	X	X	X	X
46	422187-451	Bed Lid Complete	X	X				
	408631-002	Bed Lid Complete					X	X
	408631-452	Bed Lid Complete			X	X		
47	409562	Disc Selector Pattern Indicator Actuating Wire	X	X	X		X	X
48	409563	Disc Selector Pattern Indicator	X				X	X
	409670	Disc Selector Pattern Indicator		X	X		X	X
49	549301	Stitch Pattern Index Panel Screw (2)	X	X	X		X	X
50	409702	Stitch Pattern Index Panel Shield		X	X			
51	409559	Stitch Pattern Index Panel	X					
52	409560	Stitch Pattern Index Panel Bracket	X	X	X		X	X
53	409558	Stitch Pattern Index Panel Complete	X					
	409668	Stitch Pattern Index Panel Complete		X	X			
54	549301	Stitch Pattern Index Panel Complete Set Screw (2)	X	X	X		X	X
55	381899	Bed Cover Cushion (4)	X				X	X
	148509-452	Bed Cover Cushion		X	X	X	X	X
56	544087	Bed Cover Cushion Screw (4)	X					
57	422177	Bed Cover Cushion Complete (4)	X					
58	544078	Bed Cover Fastening Screw (3)	X	X	X	X	X	X
	544078	Bed Cover Fastening Screw (4)		X				
59	383529-451	Bed Cover Hole Gap		X	X	X	X	X
60	408026	Bed Cover Complete	X	X	X	X	X	X
	409598	Bed Cover Complete			X	X		
	422548-451	Bed Cover Complete		X				

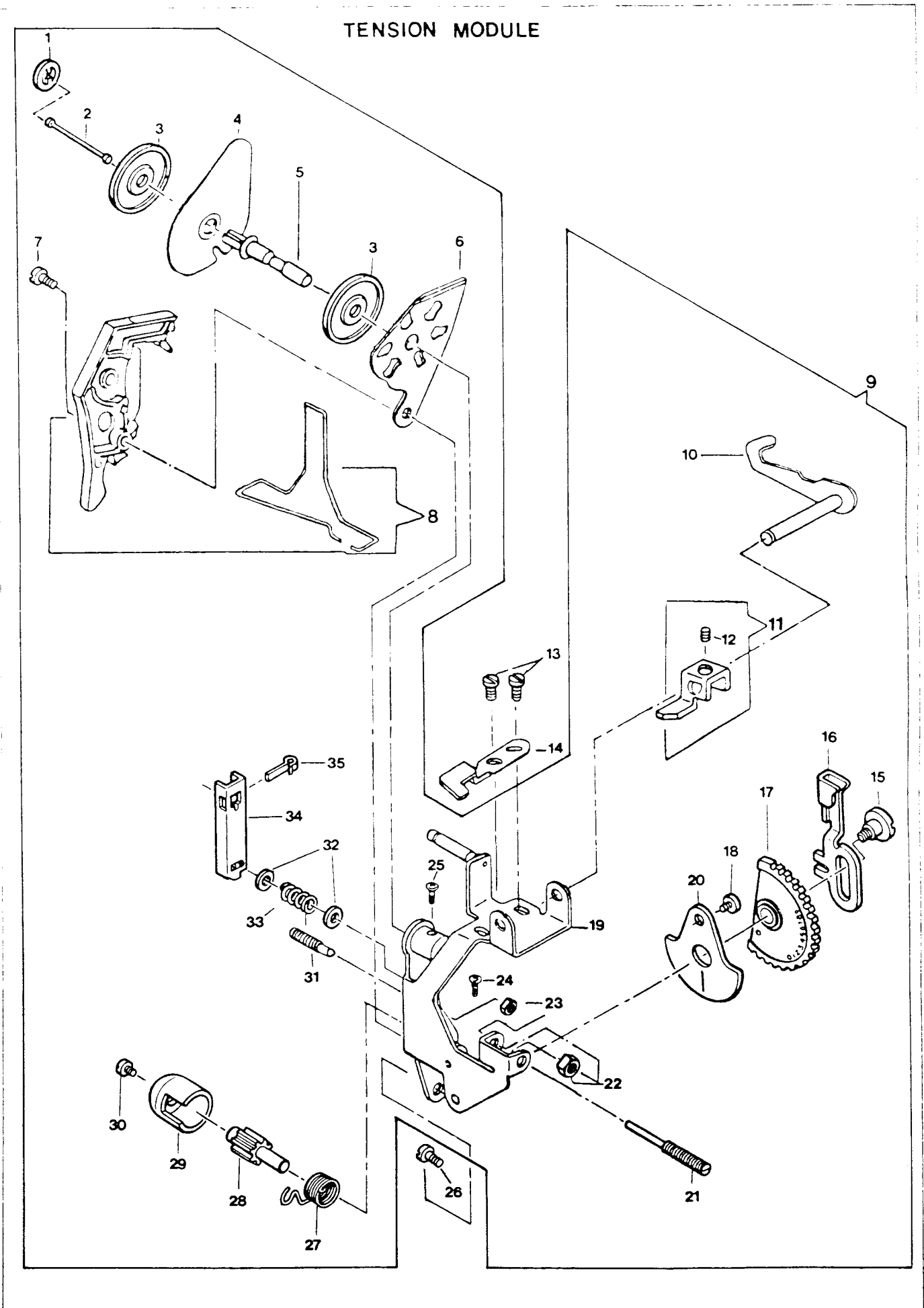
14111425 PARTS LIST

REF. #	PART #	HOOK AREA	
	544115	Rotating Hook Bobbin Case Position Finger Set Screw left.	XIXIXIXIXIXI
2	53022	Rotating Hook Bobbin Case Position Finger	XIXIXIXIXIXI
3	506417	Rotating Hook Bobbin Complete	XIXIXIXIXIXI
	408432	Rotating Hook Bobbin Complete	XIXIXIXIXIXI
	163131	Rotating Hook Bobbin Complete	XIXIXIXIXIXI
4	408435	Rotating Hook Bobbin Case Complete	XIXIXIXIXIXI
5	163246	Rotating Hook Bobbin Driver Complete	XIXIXIXIXIXI
6	409693	Throat Plate for zig-zag stitching)	XIXIXIXIXIXI
7	408034	Bed Slide with window plastic)	XIXIXIXIXIXI
8	174256	Throat Plate Catch Pin	XIXIXIXIXIXI
9	507196	Throat Plate Securing Magnet (2)	XIXIXIXIXIXI
10	549358	Throat Plate Catch Pin Screw (left)	XIXIXIXIXIXI
	544079	Throat Plate Catch Pin Screw (right)	XIXIXIXIXIXI
11	544080	Bed Slide Spring Screw	XIXIXIXIXIXI
12	408098	Bed Slide Spring Screw washer	XIXIXIXIXIXI
13	408035	Bed Slide Spring	XIXIXIXIXIXI
14	409285	Throat Plate Plunger	XIXIXIXIXIXI
15	544318	Throat Plate Guide Screw	XIXIXIXIXIXI
	409699	Throat Plate Guide Pin	XIXIXIXIXIXI
16	409286	Throat Plate (for zig-zag stitching)	XIXIXIXIXIXI
17	540104	Throat Plate Plunger Spring	XIXIXIXIXIXI
18	549886	Throat Plate Plunger Snap Ring	XIXIXIXIXIXI
19	408449	Rotating Hook Bobbin Case Cushion Spring Bracket Stud Eccentric	XIXIXIXIXIXI
20	544118	Rotating Hook Bobbin Case Cushion Spring Bracket Stud Eccentric Set Screw	XIXIXIXIXIXI
21	544117	Rotating Hook Bobbin Case Cushion Spring Bracket Hinge Screw	XIXIXIXIXIXI
22	408448	Rotating Hook Bobbin Case Cushion Spring Bracket Complete	XIXIXIXIXIXI
24	408450	Rotating Hook Bobbin Case Cushion Spring Bracket Lock Slide Spring	XIXIXIXIXIXI
23	408453	Rotating Hook Bobbin Case Cushion Spring Bracket Complete	XIXIXIXIXIXI
25	408451	Rotating Hook Bobbin Case Cushion Spring Bracket Lock Slide	XIXIXIXIXIXI
26	163384	Rotating Hook Bobbin Driver Locator Nut	XIXIXIXIXIXI
	514747-451	Rotating Hook Bobbin Driver Locator Nut	XIXIXIXIXIXI
27	408443	Rotating Hook Bobbin Winder Lifting Bracket Complete	XIXIXIXIXIXI
28	408560	Rotating Hook Bobbin Driver Locator	XIXIXIXIXIXI
29	544207-002	Rotating Hook Bevel Gear Set Screw (2)	XIXIXIXIXIXI
30	408907	Rotating Hook Bevel Gear Complete	XIXIXIXIXIXI
31	408440	Rotating Hook Bobbin Winder Actuating Lever Shaft Cam Complete	XIXIXIXIXIXI
32	549293	Rotating Hook Bobbin Winder Actuating Lever Shaft Cam Set Screw	XIXIXIXIXIXI
33	408438	Rotating Hook Bobbin Winder Actuating Lever Shaft Cam Complete	XIXIXIXIXIXI
34	408588	Rotating Hook Bobbin Winder Actuating Lever Shaft Cam Follower Spring	XIXIXIXIXIXI
35	543598	Rotating Hook Bevel Gear Thrust Washer (2)	XIXIXIXIXIXI
	1422400	Rotating Hook Bevel Gear Thrust Washer	XIXIXIXIXIXI
36	549366	Rotating Hook Shaft Bushing (eccentric) Set Screw	XIXIXIXIXIXI
38	543598	Rotating Hook Shaft Bushing (eccentric) Thrust Washer	XIXIXIXIXIXI
	506164	Rotating Hook Shaft Bushing (eccentric) Thrust Washer	XIXIXIXIXIXI
39	163289	Rotating Hook	XIXIXIXIXIXI
40	545073	Thread Pull-off Finger Bracket Screw	XIXIXIXIXIXI
41	153039	Thread Pull-off Finger Spring	XIXIXIXIXIXI
42	153036	Thread Pull-off Finger Complete	XIXIXIXIXIXI
43	1422523	Rotating Hook Bobbin Driver Locator Nut Spring Washer	XIXIXIXIXIXI
44	1422522	Rotating Hook Bobbin Driver Locator Nut Washer	XIXIXIXIXIXI

HOOK AREA



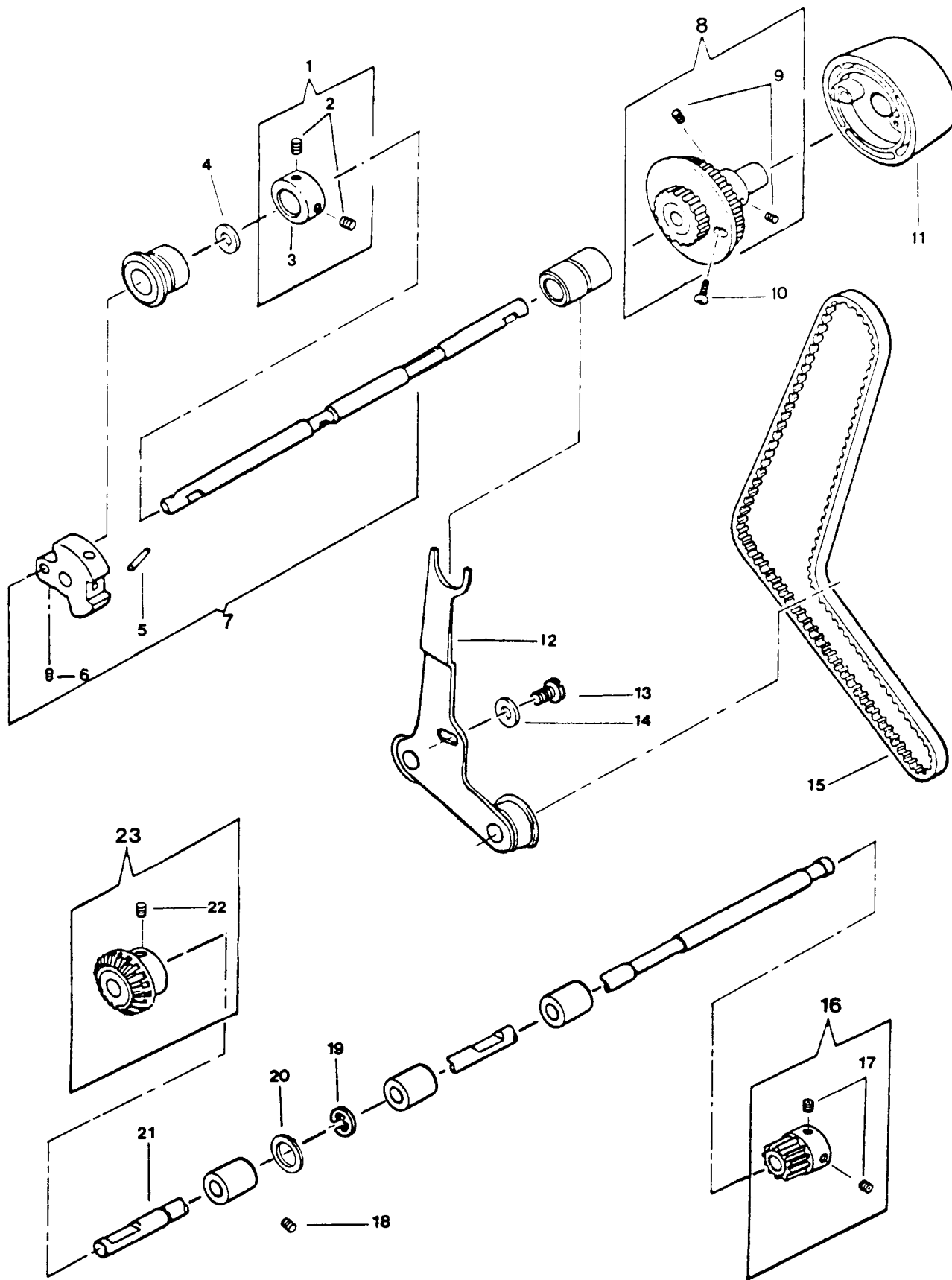
TENSION MODULE



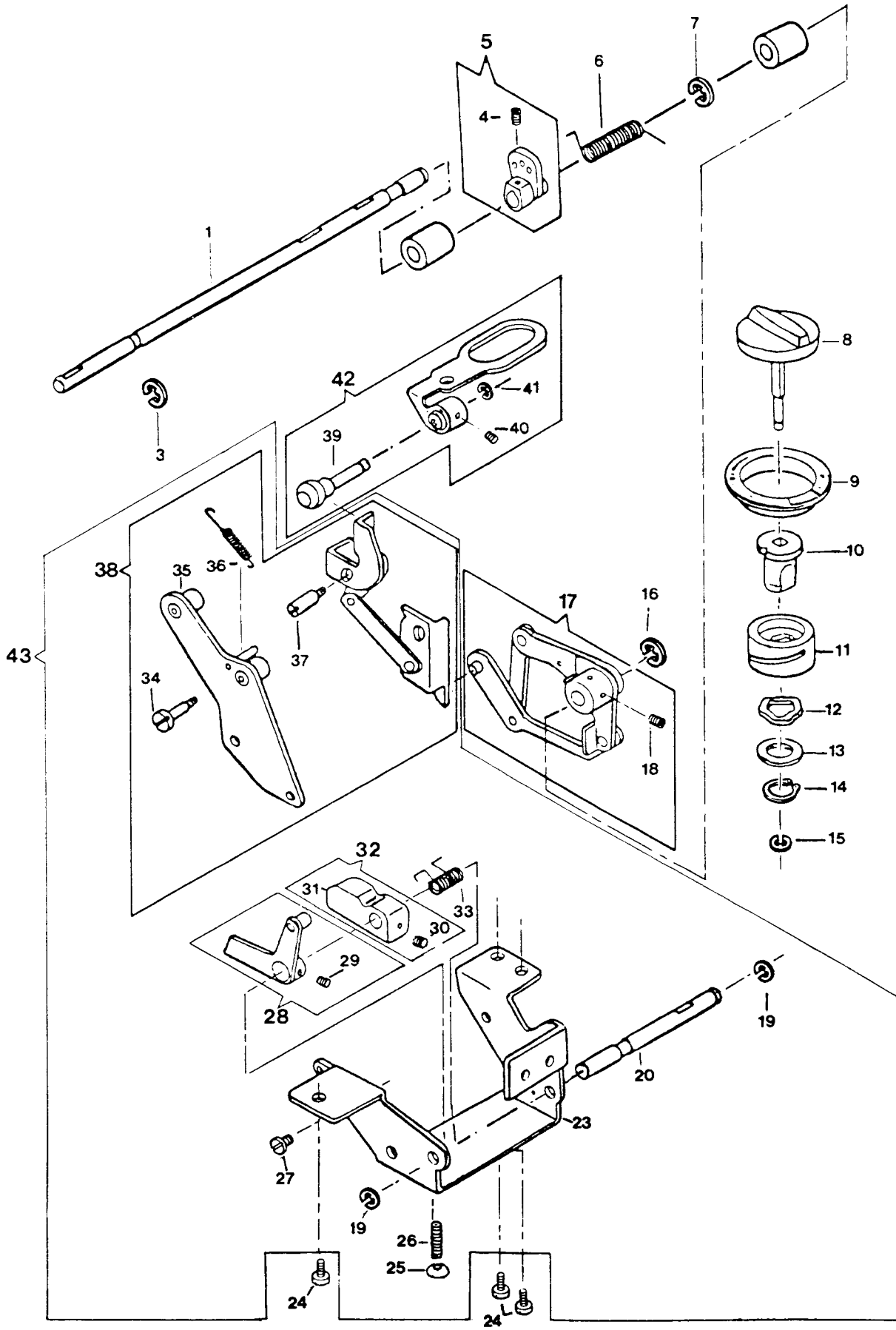
REF.	PART #	TENSION MODULE	1	1	1	1	1	1	1
1	174398	Tension Disc Pressure Plate	X	X	X	X	X	X	X
2	181857	Tension Disc Pressure Pin	X	X	X	X	X	X	X
3	382586	Tension Disc (small) (2)	X	X	X	X	X	X	X
4	408415	Tension Disc (large)	X	X	X	X	X	X	X
5	503270	Tension Stud	X	X	X	X	X	X	X
6	408416	Tension Thread Guard	X	X	X	X	X	X	X
7	544188	Thread Take-up Spring Thread Guard Screw	X	X	X	X	X	X	X
8	408424-451	Thread Take-up Spring Thread Guard Complete	X						
	408424-452	Thread Take-up Spring Thread Guard Complete		X	X				
	408424-453	Thread Take-up Spring Thread Guard Complete				X	X		
9	408410-451	Tension Complete	X					X	
	408410-452	Tension Complete		X	X				
	408410-453	Tension Complete				X	X		
10	408815	Tension Release Actuating Lever Complete	X	X	X	X	X	X	X
11	408813	Tension Releasing Lever Complete	X	X	X	X	X	X	X
12	544203-007	Tension Releasing Lever Screw	X	X	X	X	X	X	X
13	544078	Tension Mounting Bracket Screw (upper) (2)	X	X	X	X	X	X	X
14	408552	Tension Regulating Slide Plate Supporting Plate	X					X	X
15	544132	Tension Indicator Dial Hinge Screw	X	X	X	X	X	X	X
16	181854	Tension Regulating Slide	X	X	X	X	X	X	X
17	181848-452	Tension Indicator Dial (graphics)	X	X	X	X	X	X	X
18	544225-001	Tension Indicator Screw	X	X	X	X	X	X	X
19	408412	Tension Mounting Bracket Complete	X	X	X	X	X	X	X
20	408920-451	Tension Indicator (plastic)	X	X	X	X	X	X	X
21	514653-451	Tension Spring Adjusting Screw	X	X	X	X	X	X	X
22	514607	Tension Spring Adjusting Screw Nut	X	X	X	X	X	X	X
23	514607	Tension Regulating Slide Positioning Screw Nut	X	X	X	X	X	X	X
24	544187	Thread Take-up Spring Stud Set Screw	X	X	X	X	X	X	X
25	549360	Tension Stud Set Screw	X	X	X	X	X	X	X
26	549357	Tension Mounting Bracket Screw (lower)	X	X	X	X	X	X	X
27	181872	Thread Take-up Spring	X	X	X	X	X	X	X
28	408418	Thread Take-up Spring Stud Complete	X	X	X	X	X	X	X
29	181861-451	Thread Take-up Spring Cap and Slack Thread Regulator	X	X	X	X	X	X	X
30	544004	Thread Take-up Spring Adjusting Screw	X	X	X	X	X	X	X
31	514644-451	Tension Regulating Slide Positioning Screw	X	X	X	X	X	X	X
32	172731-452	Tension Spring Adjusting Screw Washer (2)	X	X	X	X	X	X	X
33	181877	Tension Spring	X	X	X	X	X	X	X
34	181855	Tension Regulating Slide Plate	X	X	X	X	X	X	X
35	172906	Tension Regulating Slide Plate Spring Clip	X	X	X	X	X	X	X

REF.	PART #	NEEDLE BAR DRIVE AND HANDWHEEL	1 1 1 1 1 1 1
			0 4 4 4 4 4 4
			4 2 2 1 2 1
			0 5 5 1 5 1
			G G U U N N
1	408247	Arm Shaft Collar Complete	X X X X X X X
2	544053	Arm Shaft Collar Set Screw (2)	X X X X X X X
3	408246	Arm Shaft Collar	X X X X X X X
4	408243	Arm Shaft Collar Thrust Washer	X X X X X X X
5	541270	Needle Bar Crank Spring Pin	X X X X X X X
6	549361	Needle Bar Crank Shaft Set Screw	X X X X X X X
7	408690	Arm Shaft Complete	X X X X X X X
8	408252	Hand Wheel Pulley Complete	X X X X X X X
9	544118	Hand Wheel Pulley Set Screw (2)	X X X X X X X
10	544222-007	Hand Wheel Set Screw	X X X X X X X
11	408249-451	Hand Wheel Complete	X X X X
	408249-452	Hand Wheel Complete	X X X X
12	409626	Belt Idler Pulley Bracket Complete	X X X X X X X
13	544078	Belt Idler Pulley Bracket Screw	X X X X X X X
14	408558	Belt Idler Pulley Bracket Screw Washer	X X X X X X X
15	408254	Belt (from Hand Wheel Pulley to Rotating Hook Drive Shaft Belt Pulley)	
16	408264	Rotating Hook Drive Shaft Belt Pulley Complete	X X X X X X X
17	544098	Rotating Hook Drive Shaft Belt Pulley Set Screw	X X X X X X X
18	549358	Rotating Hook Drive Shaft Bushing (left) Set Screw	X X X X X X X
19	408274	Rotating Hook Drive Shaft Retaining Ring	X X X X X
20	181957	Rotating Hook Drive Shaft Thrust Washer	X X X X X
21	383011	Rotating Hook Drive Shaft Bushing (left)	X X X X X X X
22	408265	Rotating Hook Drive Shaft	X X X X X X X
23	544207-002	Rotating Hook Drive Shaft Bevel Gear Set Screw (2)	X X X X X X X
24	408910	Rotating Hook Drive Shaft Bevel Gear Complete	X X X X X X X

NEEDLE BAR DRIVE AND HANDWHEEL

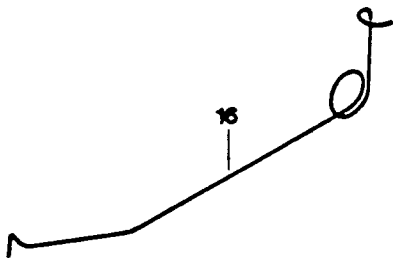
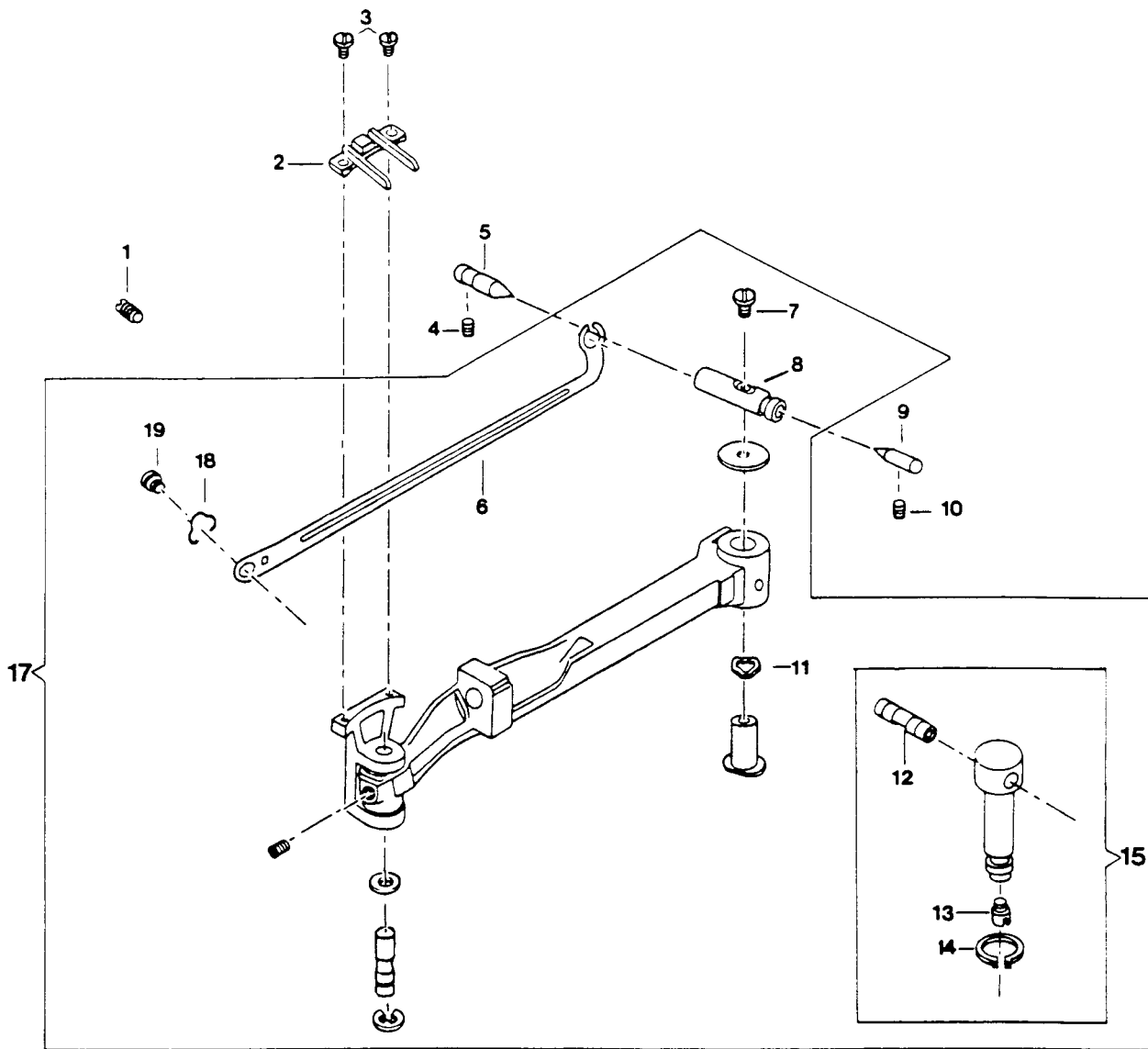


FEED CONTROL MECHANISM

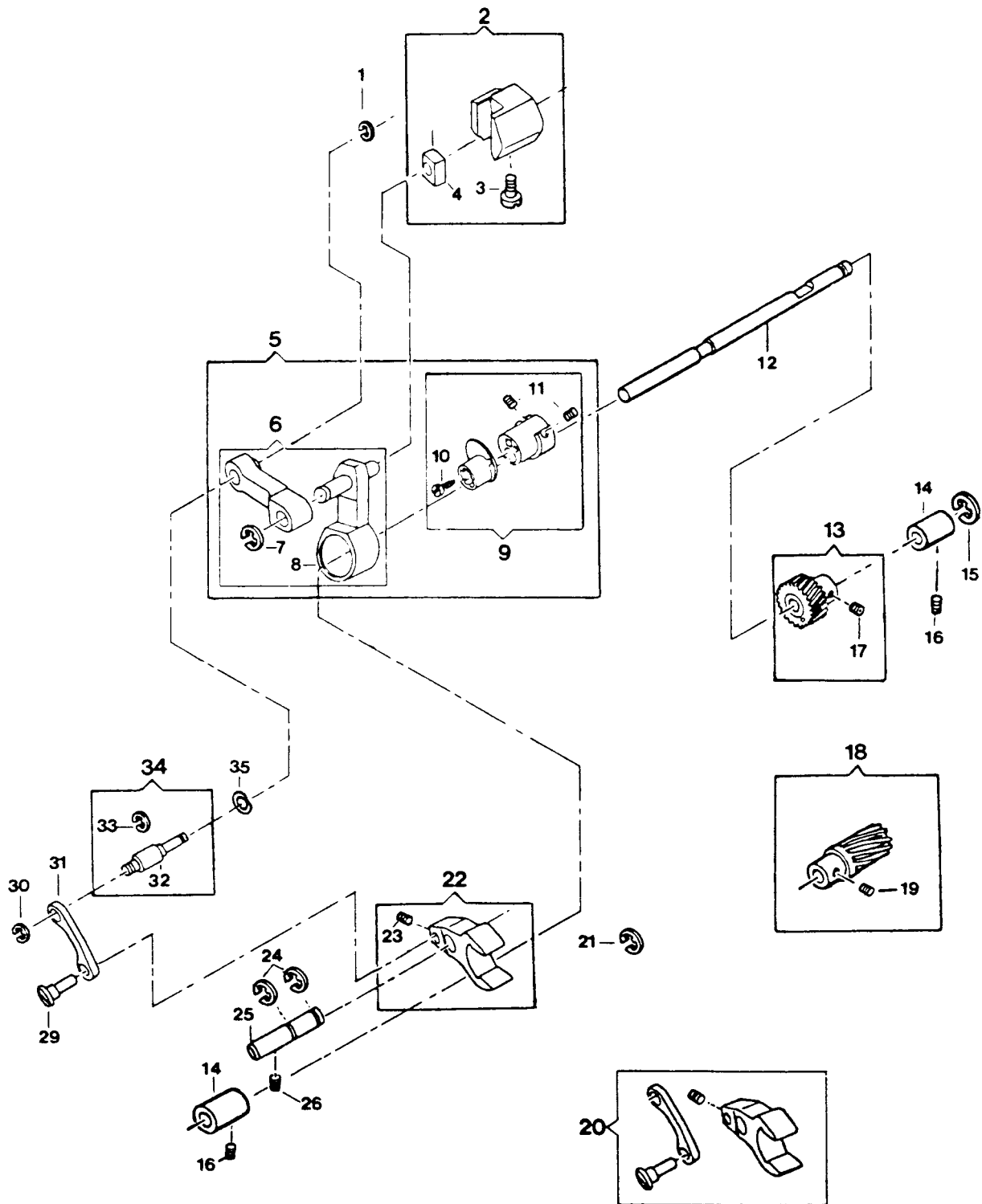


REF.	PART #	FEED MECHANISM	G	I	U	U	N	I	N
1	506448-830	Feed bar connection and feed lifting fork connection							
		hinge (eccentric) set screw	X						
	549308	Feed bar connection and feed lifting fork connection							
		hinge stud (eccentric) set screw		X	X	X	X	X	X
2	506194	Feed dog (machined)	X				X	X	
	409680	Feed dog (machined)			X	X			
3	379505-451	Feed dog screw	X						
	544103	Feed dog screw			X	X	X	X	X
4	544101	Feed bar pivot hinge stud adjusting pin (eccentric)							
		center (back) set screw	X	X	X	X	X	X	X
5	422142	Feed bar pivot hinge stud adjusting pin (eccentric)							
		center (back)	X						
	408280	Feed bar pivot hinge stud adjusting pin (eccentric)							
		center (back)			X	X	X	X	X
6	174216	Feed dog holder compensating link	X	X	X	X	X	X	X
7	514692-451	Feed bar guide hinge set screw	X						
	514692	Feed bar guide hinge set screw			X	X			
8	409695	Feed bar guide hinge pin			X	X			
9	422143	Feed bar pivot hinge stud adjusting pin (eccentric)							
		center (front)	X						
	511233	Feed bar pivot hinge stud adjusting pin (eccentric)							
		center (front)			X	X	X	X	X
10	549358	Feed bar pivot hinge stud adjusting pin (eccentric)							
		center (front) set screw	X	X	X	X	X	X	X
11	511211	Feed bar hinge bearing spring washer	X	X	X	X	X	X	X
12	511038	Feed bar pivot hinge stud adjusting pin (eccentric)					X	X	
13	544099	Feed bar pivot hinge stud lock screw					X	X	
14	408273	Feed bar pivot hinge stud retaining ring					X	X	
15	480272	Feed bar pivot hinge stud Complete					X	X	
16	182239	Feed bar guide pin spring	X	X	X	X	X	X	X
17	422144	Feed bar Complete	X						
	408279	Feed bar Complete			X	X	X	X	X
18	511075	Feed dog holder compensating link retaining spring	X						
	312284	Feed dog holder compensating link retaining spring			X	X	X	X	X
19	500356-850	Feed dog holder compensating link set screw	X						
	544102	Feed dog holder compensating link set screw			X	X	X	X	X

FEED MECHANISM

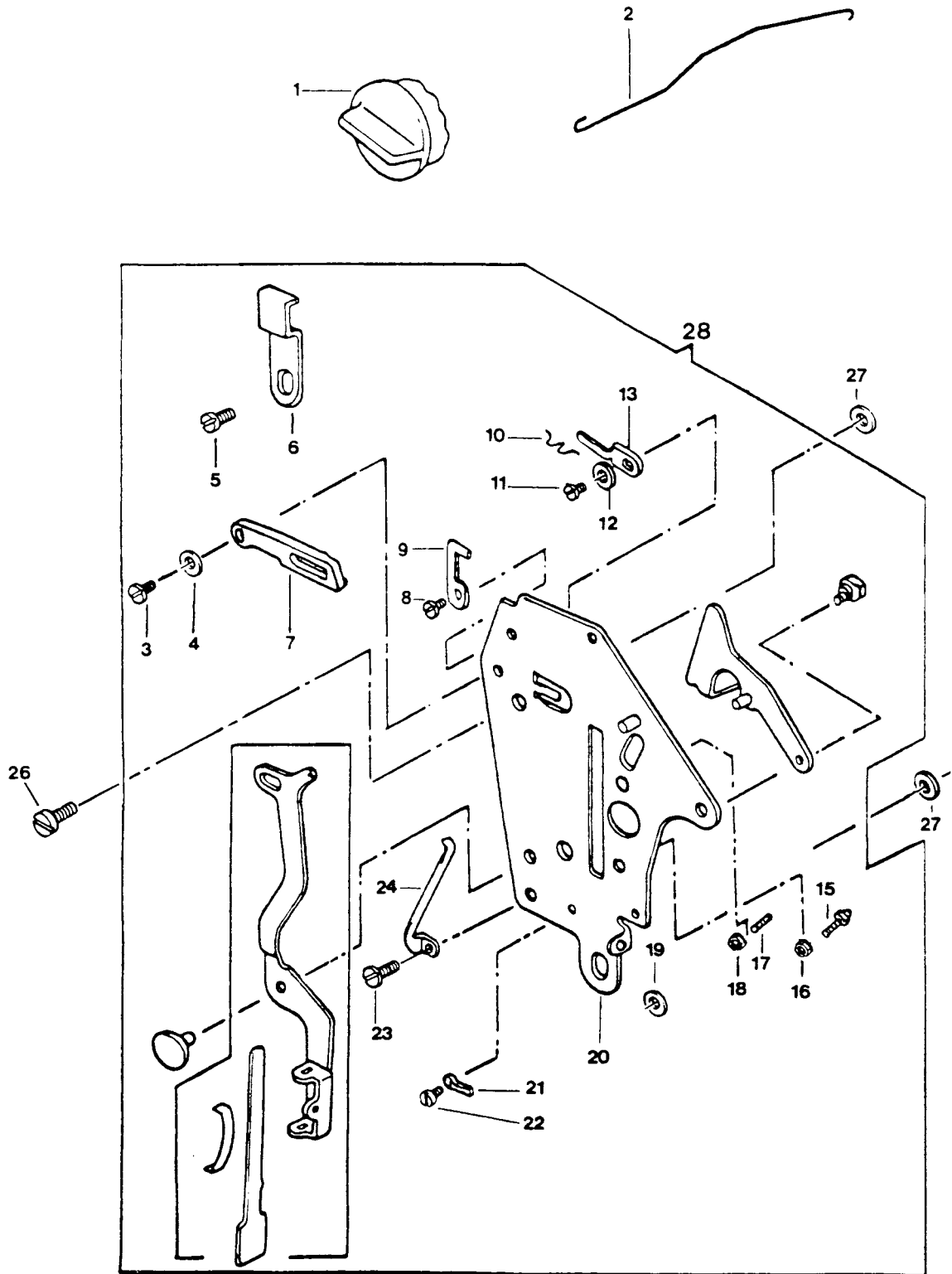


FEED MECHANISM

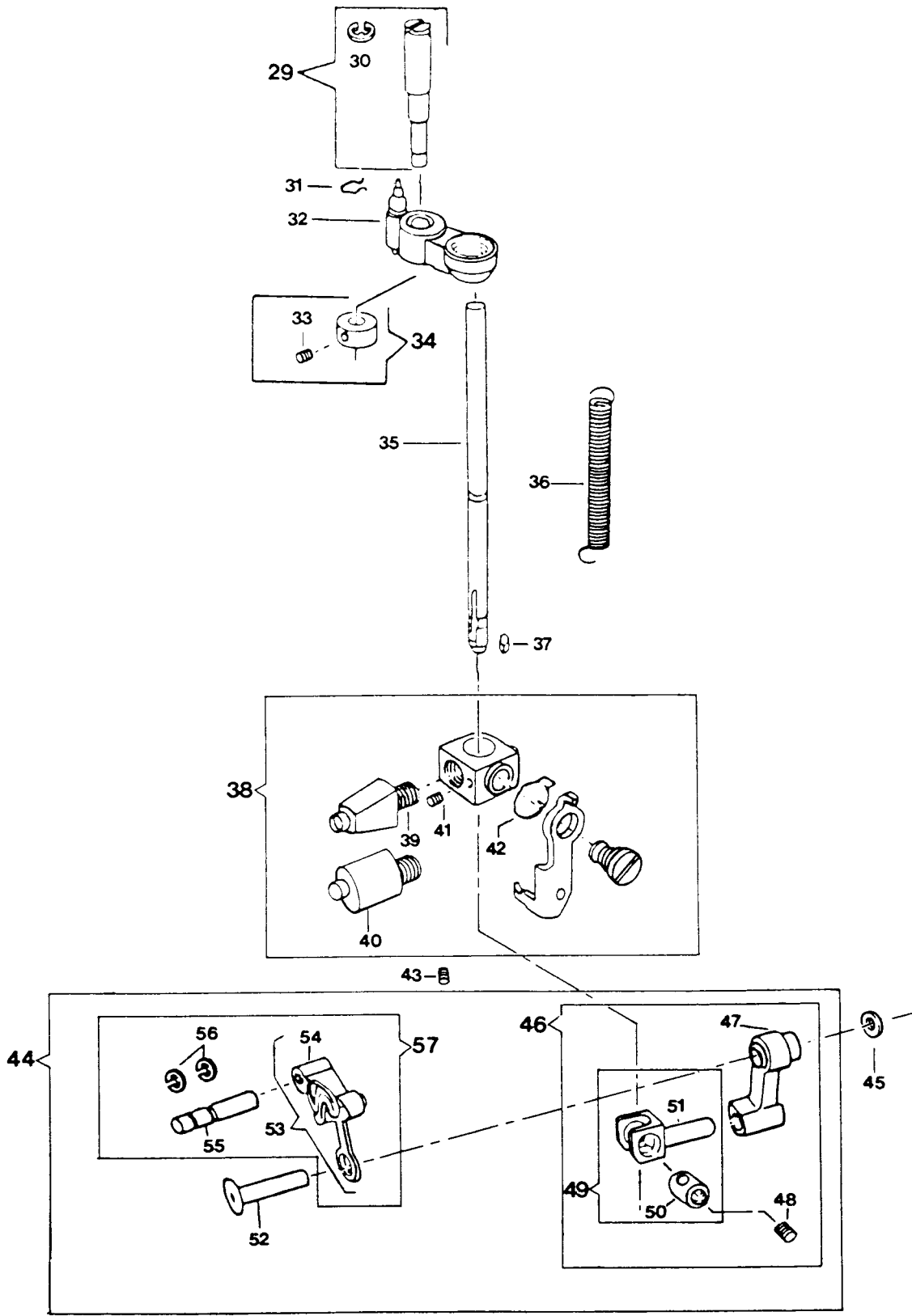


REF.	PART #	FEED MECHANISM (CONTINUATION)	1	1	1	1	1	1	1
1	507063	Feed lifting fork connection retaining ring	X						
2	506468	Feed regulator and feed regulator slide block Complete	X						
3	511391	Feed regulator set screw	X						
	500391-820	Feed regulator set screw		X	X	X	X	X	X
4	511030	Feed regulator slide block	X	X	X	X	X	X	X
5	422164	Feed bar connection with (eccentric) Complete	X						
6	511082	Feed bar drive connection Complete	X						
7	511213	Feed regulator slide block stud retaining ring	X						
	408274	Feed regulator slide block stud retaining ring		X	X	X	X	X	X
8	408278	Feed regulator slide block drive connection with stud		X	X	X	X	X	X
9	422165	Feed lifting cam feed (eccentric) Complete	X						
	408563	Feed lifting cam feed (eccentric) Complete		X	X	X	X	X	X
10	514632-451	Feed lifting cam and feed (eccentric) screw	X						
11	514556-451	Feed lifting cam and feed (eccentric) set screw	X						
	549293	Feed lifting cam and feed (eccentric) set screw		X	X	X	X	X	X
12	181598	Feed drive shaft	X	X	X	X	X	X	X
13	174491	Feed drive shaft gear Complete	X	X	X	X	X	X	X
14	383011	Feed drive shaft bushing (left and right)	X	X	X	X	X	X	X
15	408274	Feed drive shaft retaining ring	X	X	X	X	X	X	X
16	549358	Feed drive shaft bushing (left and right) set screw	X	X	X	X	X	X	X
17	141338-869	Feed drive shaft gear (helical, plastic) screw	X	X	X				
	141333	Feed drive shaft gear (helical, plastic) screw							X
18	174488	Feed drive shaft driving gear (helical, plastic) Complete	X	X	X	X	X	X	X
19	141772-869	Feed drive shaft driving gear (helical, plastic) set screw	X						
	141816	Feed drive shaft driving gear (helical, plastic) set screw		X	X	X	X	X	X
20	408277	Feed lifting fork with connection		X	X	X	X	X	X
21	174277	Feed lifting cam and feed (eccentric) retaining ring		X	X	X	X	X	X
22	503325	Feed lifting fork Complete	X	X	X	X	X	X	X
23	514685-451	Feed lifting fork connection hinge stud (eccentric) set screw	X	X	X	X	X	X	X
24	511213	Feed lifting fork hinge stud retaining ring	X						
	408274	Feed lifting fork hinge stud retaining ring		X	X	X	X	X	X
25	511057	Feed lifting fork hinge stud	X	X	X	X	X	X	X
26	549358	Feed lifting fork hinge stud set screw	X	X	X	X	X	X	X
29	511056	Feed lifting fork connection hinge stud (eccentric)	X	X	X	X	X	X	X
30	319561	Feed bar connection ball bearing retaining ring		X	X	X	X	X	X
	507063	Feed bar connection ball bearing retaining ring	X						
31	511016	Feed lifting fork connection	X	X	X	X	X	X	X
32	511044	Feed bar connection and feed lifting fork connection hinge stud (eccentric)	X	X	X	X	X	X	X
33	511213	Feed bar connection and feed lifting fork connection hinge stud (eccentric) retaining ring	X						
	408274	Feed bar connection and feed lifting fork connection hinge stud (eccentric) retaining ring		X	X	X	X	X	X
34	511076	Feed bar connection and feed lifting fork connection hinge stud (eccentric) Complete	X						
35	507722	Feed bar connection spring washer		X	X	X	X	X	X

HEAD END MODULE



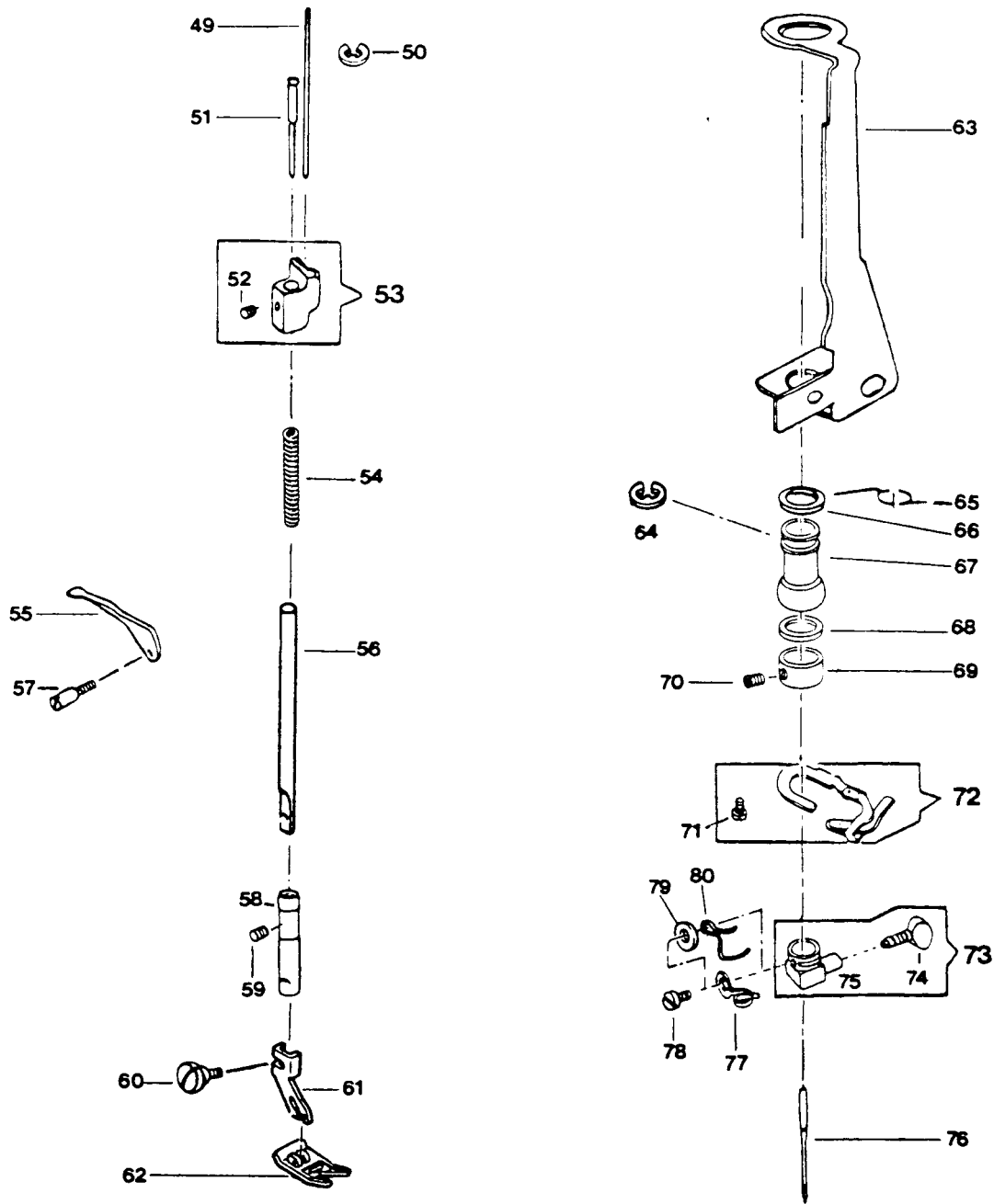
HEAD END MODULE



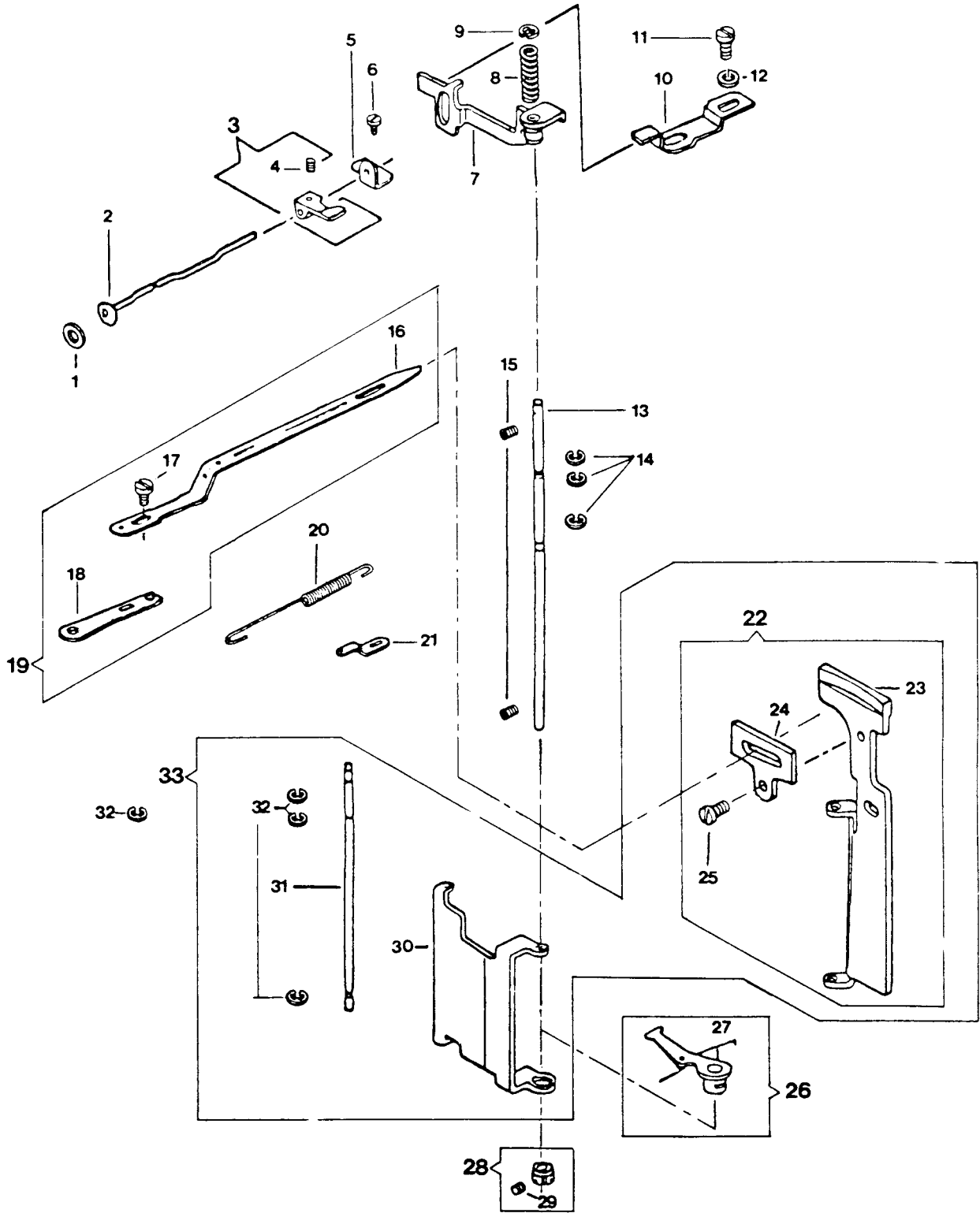
REF.	PART #	HEAD END MODULE (CONTINUATION)	1 1 1 1 1 1 1 1
			0 4 4 4 4 4 4
			4 2 2 1 2 1
			0 5 5 1 5 1
			G G U U N N
29	502364	Needle Bar Vibrating Bracket Hinge Stud (eccentric)	
		Complete	X X X X X X
30	506199	Needle Bar Vibrating Bracket Hinge Stud (eccentric)	
		Retaining Ring	X X X X X X
31	408570	Needle Bar Driving Arm Ball Joint Snap Retainer	X X X X X X
32	502335	Needle Bar Vibrating Bracket Complete	X X
	408806	Needle Bar Vibrating Bracket Complete	X X X X
33	504094	Needle Bar Vibrating Bracket Hinge Stud (eccentric)	
		Collar Set Screw	X X X X X X
34	547500	Needle Bar Vibrating Bracket Hinge Stud (eccentric)	
		Collar Complete	X X X X X X
35	503281	Needle Bar	X X
	408925	Needle Bar	X X X X
36	502349	Needle Bar Latch Carrier Spring	X X X X
37	163822	Needle Bar Gib	X X X X X X
38	408358	Needle Bar Latch Carrier Complete	X X X
	409703	Needle Bar Latch Carrier Cam Plate	X
39	408361	Needle Bar Latch Carrier Socket Complete	X X X X
	409706	Needle Bar Latch Carrier Socket Complete	X
40	544109	Needle Bar Latch Carrier Screw Stud	X X X
41	544206-002	Needle Bar Latch Adjusting Stud (eccentric) Set Screw	X X X X X
42	502464	Needle Bar Latch Spring	X X X X X
43	544129	Thread Take-up Lever Link Hinge Stud Set Screw	X X X X X
44	408458-451	Thread Take-up Lever and Needle Bar Connecting Link	
		Complete	X X X
	408458-452	Thread Take-up Lever and Needle Bar Connecting Link	
		Complete	X
	408468-452	Thread Take-up Lever and Needle Bar Connecting Link	
		Complete	X
	408568-451	Thread Take-up Lever with Needle Bar Connecting Link	
		Complete	X
45	543531	Needle Bar Connecting Link Thrust Washer	X X X X X X
46	408456	Needle Bar Connecting Link with Stud	X X X X
	408567	Needle Bar Connecting Link with Stud	X X
	408566	Needle Bar Connecting Stud Complete	X X
47	408356	Needle Bar Connecting Link	X X X X X X
48	504048	Needle Bar Connecting Stud Hinge Pin Set Screw	X X
49	408363	Needle Bar Connecting Stud Complete	X X X X
50	547306	Needle Bar Connecting Stud Hinge Pin	X X X X X X
51	408362	Needle Bar Connecting Stud	X X X
	408574	Needle Bar Connecting Stud	X X
52	408921	Thread Take-up Stud	X X X X X X
53	408353-451	Thread Take-up Lever Complete	X X X X
	408353-452	Thread Take-up Lever Complete	X X
54	507649	Thread Take-up Lever Link	X X X X X
55	543766	Thread Take-up Lever Link Hinge Stud	X X X X X X
56	408354	Thread Take-up Lever Link Hinge Stud Retaining Ring (2)	X X X X X X
57	408457-451	Thread Take-up Lever Complete	X X X
	408457-452	Thread Take-up Lever Complete	X X

REF.	PART #	HEAD END MODULE	CONTINUATION)	G	I	G	I	U	I	U	I	N	N
49	408370	Tension Releasing Pin		X	X	X	X	X	X	X			
50	408030	Tension Releasing Pin Retaining Ring				X	X	X	X	X			
	507343	Tension Releasing Pin Retaining Ring		X	X								
51	502484	Presser Bar Regulating Extension Pin		X									
52	549361	Presser Bar Guide Bracket Set Screw		X	X	X	X	X	X	X			
53	408369	Presser Bar Guide Bracket Complete		X									
	409664	Presser Bar Bushing and Presser Guide Bracket Complete			X	X	X	X	X	X			
54	408801	Presser Bar Spring		X									
	383944	Presser Bar Spring			X	X	X	X	X	X			
55	502362	Presser Bar Lifter		X	X	X	X	X	X	X			
56	502360	Presser Bar		X									
	409660	Presser Bar			X	X	X	X	X	X			
57	544110	Presser Bar Lifter Hinge Screw		X	X	X	X	X	X	X			
58	409520	Presser Bar Bushing		X									
	409661	Presser Bar Bushing			X	X	X	X	X	X			
59	549316	Presser Bar Bushing Set Screw		X	X	X	X	X	X	X			
60	354135-453	Presser Foot Thumb Screw		X	X								
	504030	Presser Foot Thumb Screw				X	X	X	X	X			
61	163706	Presser Foot (snap-on) Shank		X	X								
	542167	Presser Foot (snap-on) Shank				X	X	X	X	X			
62	502280-452	Presser Foot Plate (snap-on)(for zig-zag stitching)											
		Complete		X	X								
	409379	Presser Foot Plate (snap-on)(for zig-zag stitching)											
		Complete				X	X	X	X	X			
63	408364	Needle Bar Latch Releasing Lever		X	X	X		X					
64	541254	Needle Bar Latch Releasing Lever Retaining Ring		X	X	X		X					
65	503246	Needle Bar Latch Releasing Lever Spring		X	X	X		X					
66	502325	Needle Bar Ball Bushing (lower) Socket (upper)		X	X	X	X	X	X	X			
67	408564	Needle Bar Ball Bushing (lower)		X	X	X	X	X	X	X			
68	507379	Needle Bar Ball Bushing (lower) Socket (lower)		X	X	X	X	X	X	X			
69	502485	Needle Bar Ball Bushing (lower) Adjusting Collar		X	X	X	X	X	X	X			
70	549366	Needle Bar Ball Bushing (lower) Adjusting Collar Set											
		Screw		X	X	X	X	X	X	X			
71	141215-809	Arm Thread Guide (lower) Thread Snubber Screw		X	X	X	X	X	X	X			
72	408367	Arm Thread Guide (lower) Complete		X	X	X	X	X	X	X			
73	511279	Needle Clamp Complete		X	X								
	540382	Needle Clamp Complete				X	X	X	X	X			
74	511171-829	Needle Thumb Screw		X	X								
	549341	Needle Thumb Screw				X	X	X	X	X			
75	506142	Needle Clamp		X	X								
	546226-851	Needle Clamp				X	X	X	X	X			
76	IC 2045-142	Singer 15 x 1 #14		X	X								
	IC 2045-014	Singer (Yellow-Band) #14							X	X			
	IC 2020-014	Singer #14				X	X						
77	163431	Needle Bar Thread Guide		X	X			X	X				
78	141453-829	Needle Clamp Body Needle Clamp Thread Guide and Needle											
		Stop Screw		X	X								
	141453	Needle Clamp Body Needle Clamp Thread Guide and Needle											
		Stop Screw							X	X			
	545193	Needle Bar Thread Guide and Needle Stop Screw				X	X						
79	546133	Needle Bar Thread Guide Screw Washer				X	X						
80	546216	Needle Bar Thread Guide				X	X						

HEAD END MODULE



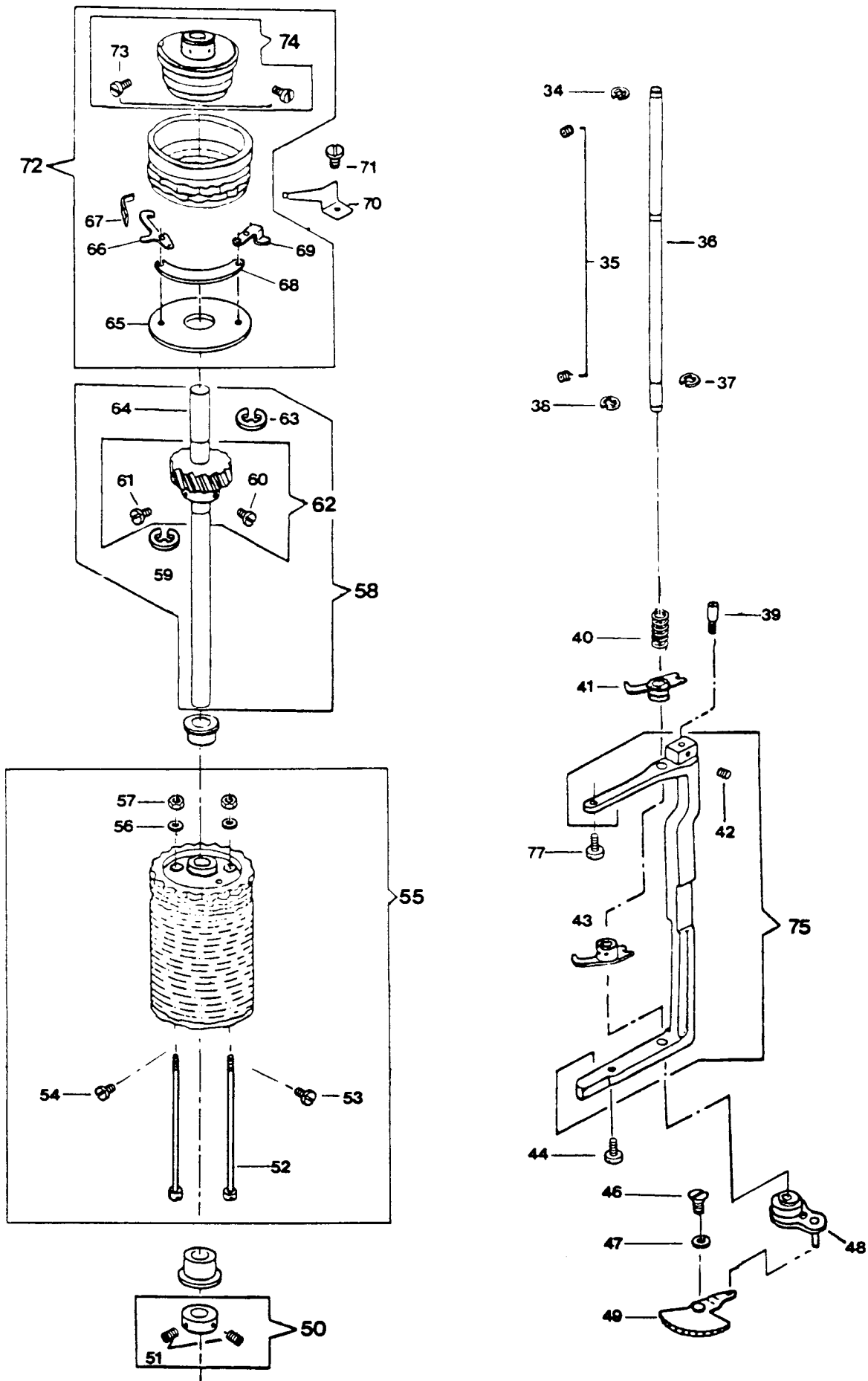
DISC STACK AND FOLLOWERS



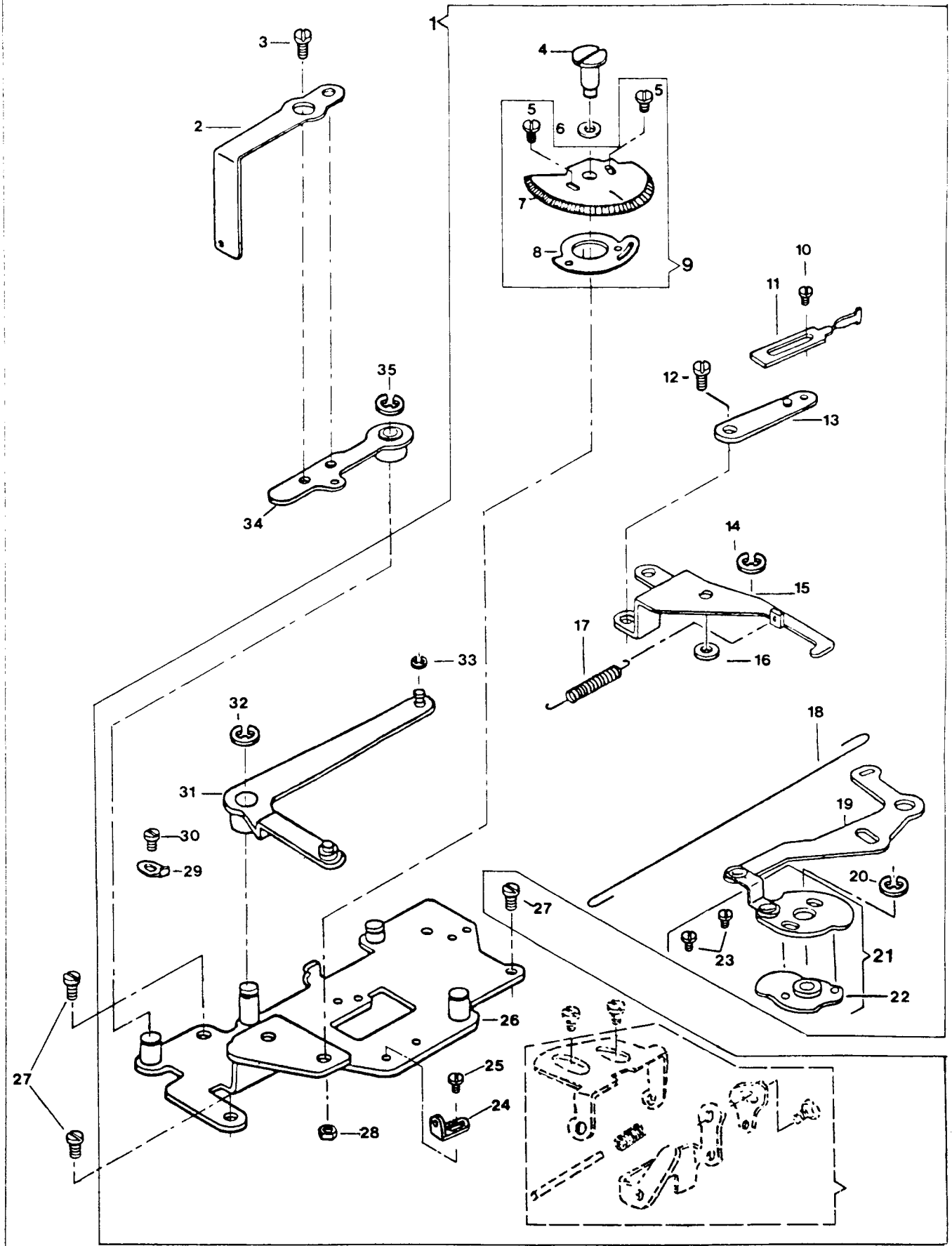
REF.	PART #	DISC STACK AND FOLLOWERS	
			1 1 1 1 1 1 1
			0 4 4 4 4 4
			4 2 2 1 2 1
			0 5 5 1 5 1
			G G U U N N
1	549426-451	Buttonholer Kick-out Shaft Washer	X X X X X X
2	408579	Buttonholer Kick-out Shaft Complete	X X X X X X
3	408471	Disc (buttonhole) Driving Ratchet Engaging Pawl	
		Complete	X X X X X X
4	544206-002	Disc (buttonhole) Driving Ratchet Engaging Pawl Screw	X X X X X X
5	408228	Buttonholer Kick-out Shaft Bracket	X X X X X X
6	549357	Buttonholer Kick-out Shaft Bracket Screw	X X X X X X
7	408229	Disc (buttonhole) Needle Position Follower Complete	X X X X X X
8	408232	Disc (buttonhole) Needle Position Follower Spring	X X X X
	409698	Disc (buttonhole) Needle Position Follower Spring	X
9	408030	Needle Position Releasing Lever Link Complete Retaining	
		Ring	X X X X
	507343	Needle Position Releasing Lever Link Complete Retaining	X X
		Ring	
10	408477	Needle Position Control Plate	X X X X X X
11	549357	Needle Position Control Plate Screw	X X X X X X
12	547670	Needle Position Control Plate Screw Washer	X X X X X X
13	408394	Disc Needle Position Follower Shaft	X X X X X X
14	408274	Disc Needle Position Follower Shaft Retaining Ring (4)	X X X X
	511213	Disc Needle Position Follower Shaft Retaining Ring (4)	X X
15	549366	Disc Needle Position Follower Shaft Set Screw (2)	X X X X X
	549366	Disc Needle Position Follower Shaft Set Screw (2)	X
16	408396	Needle Bar Driving Arm Complete	X X X X X X
17	544211-052	Needle Bar Driving Arm Ball Joint Screw	X X X X X X
18	408400	Needle Bar Driving Arm Ball Joint	X X X X X X
19	408409	Needle Bar Driving Arm with Ball Joint	X X X X X X
20	408398	Needle Bar Driving Arm Return Spring	X X X X
	408565	Needle Bar Driving Arm Return Spring	X X
21	408178	Needle Bar Driving Arm Return Spring Bracket	X X X X X X
22	409532	Needle Bar Driving Arm Plate Complete	X X X X X X
23	408401	Needle Bar Driving Arm Plate	X X X X X X
24	409533	Needle Bar Driving Arm Plate (small)	X X X X X X
25	549301	Needle Bar Driving Arm Plate (small) Screw	X X X X X X
26	408391	Disc Needle Position Follower Complete	X X X X X X
27	408392	Disc Needle Position Follower Return Spring	X X X X X X
28	408408	Needle Bar Driving Arm Plate Hinge Bracket Eccentric	
		Complete	X X X X X X
29	549366	Needle Bar Driving Arm Plate Hinge Bracket Eccentric	
		Screw	X X X X X X
30	408402	Needle Bar Driving Arm Plate Hinge Bracket	X X X X X X
31	408406	Needle Bar Driving Arm Plate Hinge Stud	X X X X X X
32	408030	Needle Bar Driving Arm Plate Hinge Stud Retaining	
		Ring (3)	X X X X X X
	408030	Needle Position Releasing Lever Link Complete Retaining	
		Ring	X X X X
	507343	Needle Position Releasing Lever Link Complete Retaining	
		Ring	X X
33	409531	Needle Bar Driving Arm Plate with Hinge Bracket	X X X X X X

REF.	PART #	DISC STACK AND FOLLOWERS (CONTINUATION)	
34	408274	Disc (buttonhole) Feed Control Follower Spring Ret. Ring	X X X X
	511213	Disc (buttonhole) Feed Control Follower Spring Ret. Ring	X X
35	549366	Disc Feed Control Follower Shaft Set Screw (2)	X X X X X X
36	409527	Disc Feed Control Follower Shaft	X X
	409697	Disc Feed Control Follower Shaft	X X X
	408656	Disc Feed Control Follower Shaft	X
37	408274	Disc Feed Control Follower Shaft Retaining Ring (2)	X X X X
	511213	Disc Feed Control Follower Shaft Retaining Ring (2)	X X
38	408655	Feed Balancing Eccentric Retaining Ring	X X X X
	507063	Feed Balancing Eccentric Retaining Ring	X X
39	408209	Disc (buttonhole) Feed Control Follower Eccentric Stud	X X X X X X
40	408575	Disc (buttonhole) Feed Control Follower Spring	X X X
	409698	Disc (buttonhole) Feed Control Follower Spring	X X X
41	408207	Disc (buttonhole) Feed Control Follower Complete	X X X X X X
42	549366	Disc (buttonhole) Feed Control Follower Eccentric	
		Stud Set Screw	X X X X X X
43	408202	Disc Feed Control Follower Complete	X X X X X X
44	544095	Disc Controlled Feed Lever Actuating Lever Hinge Screw	X X X X X X
46	544184	Feed Balancing Dial Hinge Screw	X X X X X X
47	049204	Feed Balancing Dial Hinge Screw Spring Washer	: X X X X
	507684	Feed Balancing Dial Hinge Screw Spring Washer	X X
49	409526-454	Feed Balancing Dial	X X X X X X
50	408167	Disc Stack Shaft Collar Complete	X X X X X X
51	549366	Disc Stack Shaft Collar Set Screw (2)	X X X X X X
52	544092	Disc Stack Bolt (2)	X X
	544135	Disc Stack Bolt (2)	X X
53	544111-452	Disc Stack Set Screw (short)	X X X X X X
54	544139	Disc Stack Set Screw (long)	X X X X X X
55	408194	Disc Stack Complete	X X X X
	408491	Disc Stack Complete	X X
56	408195	Disc Stack Clamping Bolt Nut Washer (2)	X X X X
57	541158	Disc Stack Clamping Bolt Nut (2)	X X X X
58	408163	Disc Stack Shaft Complete	X X X X X X
59	543778	Disc (buttonhole) Retaining Ring	X X X X
	422398	Disc (buttonhole) Retaining Ring	X X
60	549305	Disc Stack Shaft Gear Screw	X X X X X X
61	544134-451	Disc Stack Shaft Gear Screw	X X X X X X
62	408162	Disc Stack Shaft Gear Complete	X X X X X X
63	543778	Disc Stack Shaft Retaining Ring	X X X X
	422398	Disc Stack Shaft Retaining Ring	X X
64	408160	Disc Stack Shaft	X X X X X X
65	408222	Disc (buttonhole) Cap	X X X X
66	408220	Disc (buttonhole) Disengaging Pawl	X X X X
67	408221	Disc (buttonhole) Disengaging Pawl Spring	X X X X
68	408219	Disc (buttonhole) Disengaging Lever and Pawl Connecting	
		Link	X X X X
69	408218	Disc (buttonhole) Disengaging Lever	X X X X
70	408210	Disc (buttonhole) Friction Spring	X X X X X X
71	549357	Disc (buttonhole) Friction Spring Screw	X X X X X X
72	408226	Disc (buttonhole) Complete	X X X X X X
73	544134-451	Disc (buttonhole) Driver Set Screw (2)	X X X X X X
74	408225	Disc (buttonhole) Driver Complete	X X X X X X
75	408206	Disc Controlled Feed Crank Actuating Lever Bracket Comp.	X
	408497	Disc Controlled Feed Crank Actuating Lever Bracket Comp.	X X X X X
76	408697	Feed Balancing Dial Lever Complete	X X X
	409694	Feed Balancing Eccentric	X
77	544094	Disc Controlled Feed Crank Actuating Lever Hinge Screw	X X X X X

DISC STACK AND FOLLOWERS

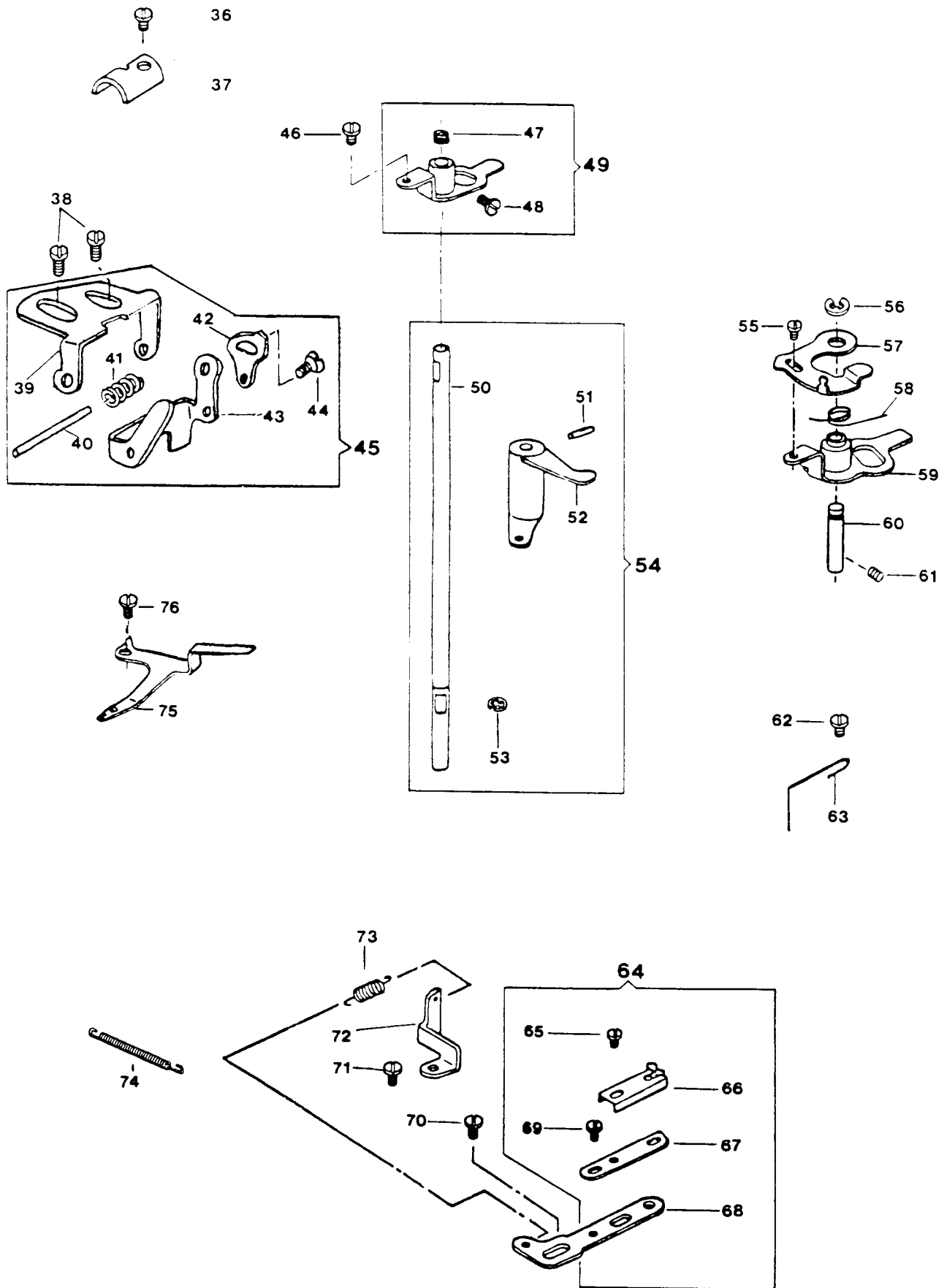


CAM RELEASE MECHANISM

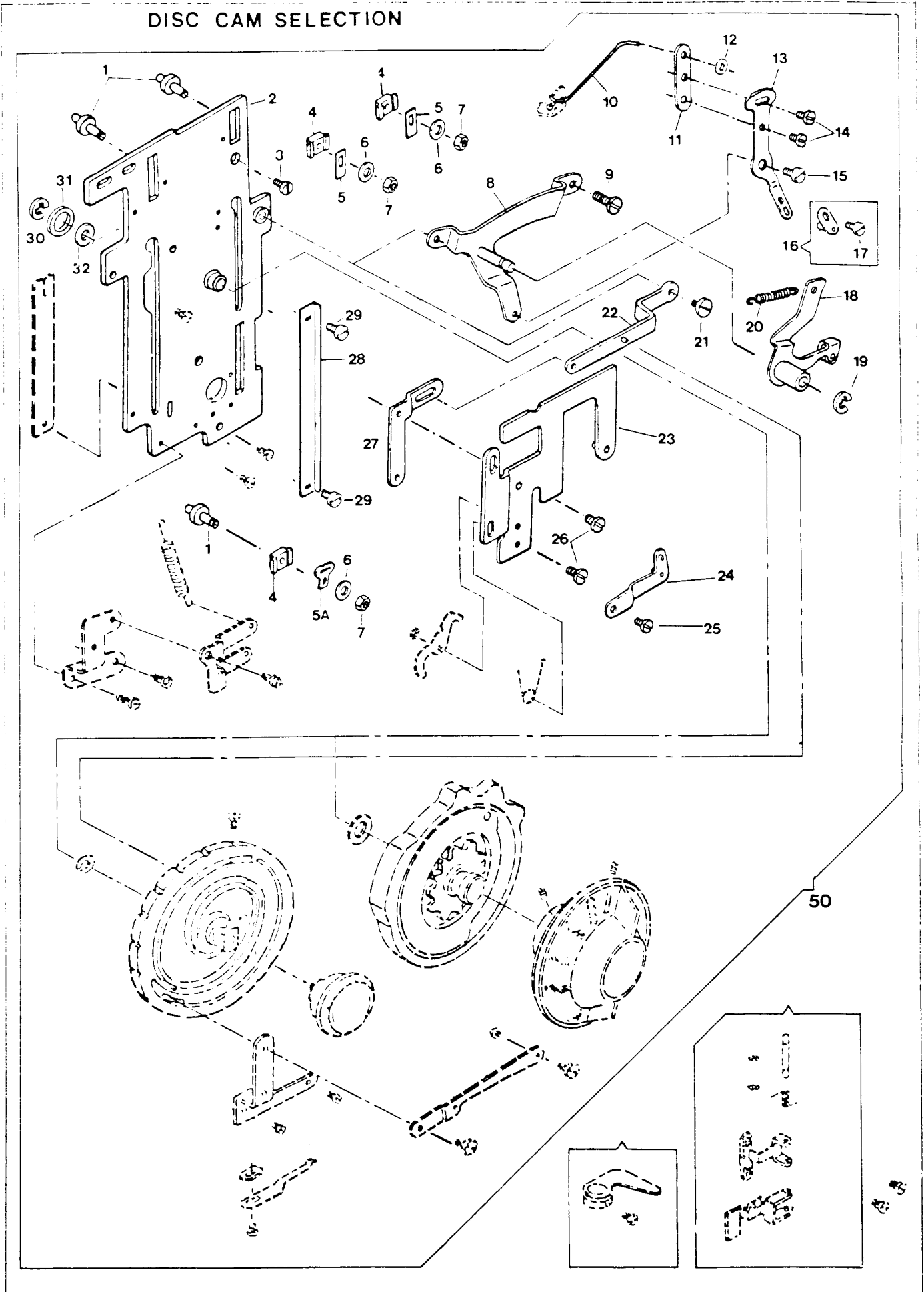


REF.	PART #	CAM RELEASE MECHANISM (CONTINUATION)	1	1	1	1	1	1	1
36	544200	Disc follower releasing mechanism kick-out lever							
		releasing cam set screw	X	X	X		X		
37	408922	Disc follower releasing mechanism kick-out lever							
		releasing cam	X	X	X		X		
38	549301	Disc follower releasing mechanism kick-out lever bracket							
		set screw (2) Complete	X	X	X		X		
39	408052	Disc follower releasing mechanism kick-out lever bracket			X		X		
40	408054	Disc follower releasing mechanism kick-out lever hinge							
		pin			X		X		
41	408056	Disc follower releasing mechanism kick-out lever plate							
		spring			X		X		
42	408055	Disc follower releasing mechanism kick-out lever plate			X		X		
43	408053	Disc follower releasing mechanism kick-out lever			X		X		
44	549301	Disc follower releasing mechanism kick-out lever plate							
		screw			X		X		
45	408051	Disc follower releasing mechanism kick-out lever Compl.	X	X	X		X		
46	549301	Linear solenoid crank shaft lever extension plate screw	X	X	X		X		
47	409601	Linear solenoid crank shaft lever spring	X	X	X		X		
48	544124	Linear solenoid crank shaft lever set screw	X	X	X		X		
49	409552	Linear solenoid crank shaft lever Complete	X						
	409684	Linear solenoid crank shaft lever Complete		X	X		X		
50	409555	Linear solenoid crank shaft	X						
	409682	Linear solenoid crank shaft			X		X		
51	548202	Linear solenoid crank spring pin	X						
52	409556	Linear solenoid crank	X						
53	408274	Linear solenoid crank shaft ring	X		X	X	X		
	511213	Linear solenoid crank shaft ring			X				
54	422373	Linear solenoid crank shaft Complete	X						
55	549301	Disc (feed control) follower releasing link adjusting							
		link screw				X		X	
56	408274	Disc (feed control) follower releasing lever stud ring				X		X	
57	408504	Disc (feed control) follower releasing lever adjusting							
		link				X		X	
58	408505	Disc (feed control) follower releasing lever adjusting							
		return spring				X		X	
59	409588	Disc (feed control) follower releasing lever Complete				X		X	
60	408503	Disc (feed control) follower releasing lever stud				X		X	
61	549366	Disc (feed control) follower releasing lever stud set							
		screw				X		X	
62	544038	Needle bar driving arm plate disengaging link adjusting							
		plate spring screw				X	X	X	
63	408185	Needle bar driving arm plate disengaging link adjusting							
		plate spring				X	X	X	X
64	408514	Needle position releasing lever link Complete	X	X	X		X	X	
65	549301	Disc (needle pos.) follower retaining spring set screw	X	X	X	X	X	X	
66	408071	Disc (needle pos.) follower retaining spring	X	X	X	X	X	X	
67	408072	Needle position releasing lever link adjusting plate	X	X	X	X	X	X	
68	408515	Needle position releasing lever link	X	X	X	X	X	X	
69	549301	Needle pos. releasing lever link adjusting plate screw	X	X	X	X	X	X	
70	544086	Needle position releasing lever link hinge screw	X	X	X	X	X	X	
71	549357	Needle pos. releasing lever link return spring retainer							
		screw				X	X	X	X
72	408551	Needle pos. releasing lever link return spring retainer	X	X	X	X	X	X	
73	408516	Needle position releasing lever link return spring	X	X	X	X	X	X	
74	541639	Disc follower releasing lever return spring	X	X	X		X		
75	409616	Disc follower releasing lever	X	X	X		X		
76	544279	Disc follower releasing lever hinge screw	X	X	X		X		

CAM RELEASE MECHANISM



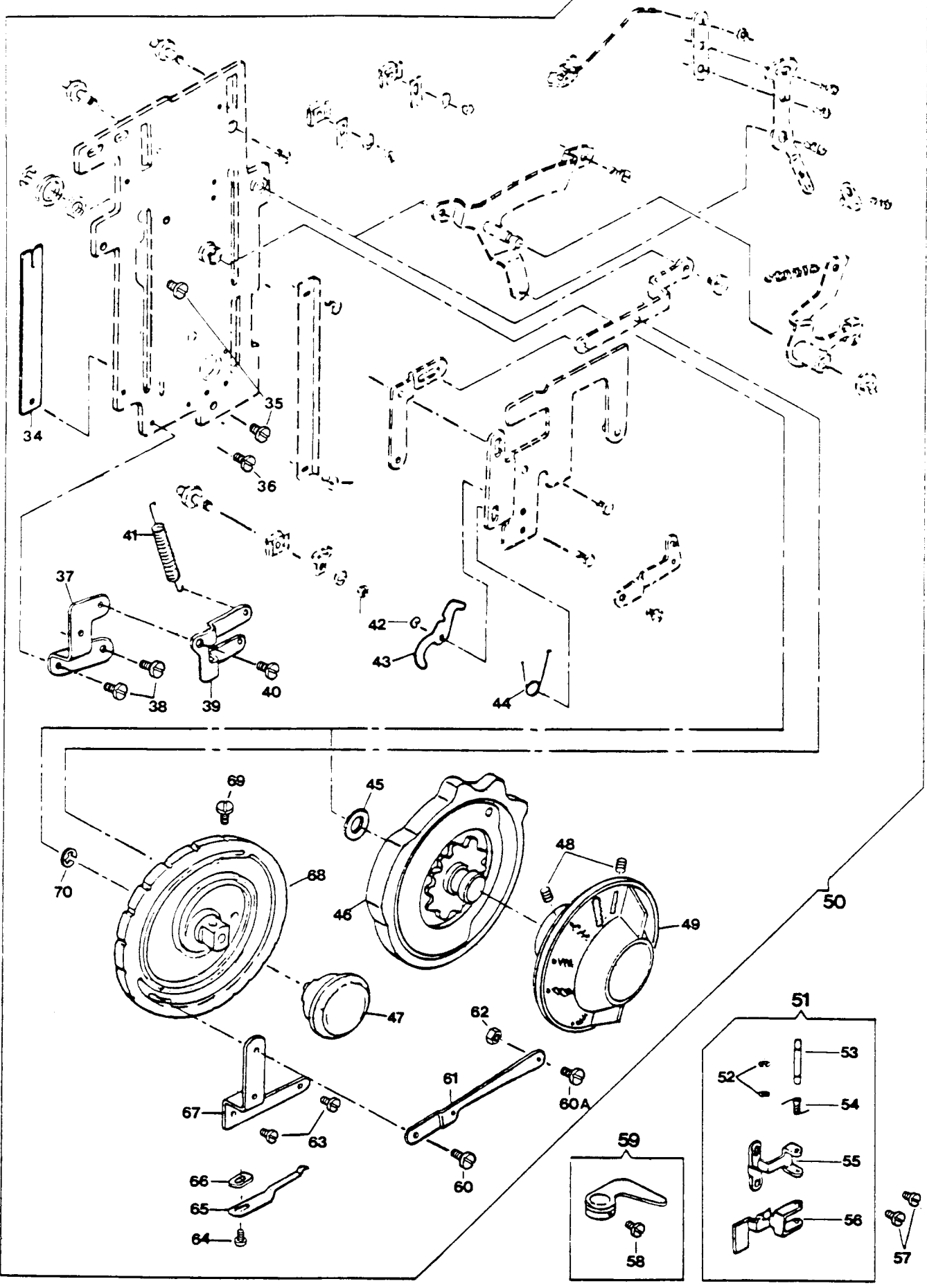
DISC CAM SELECTION



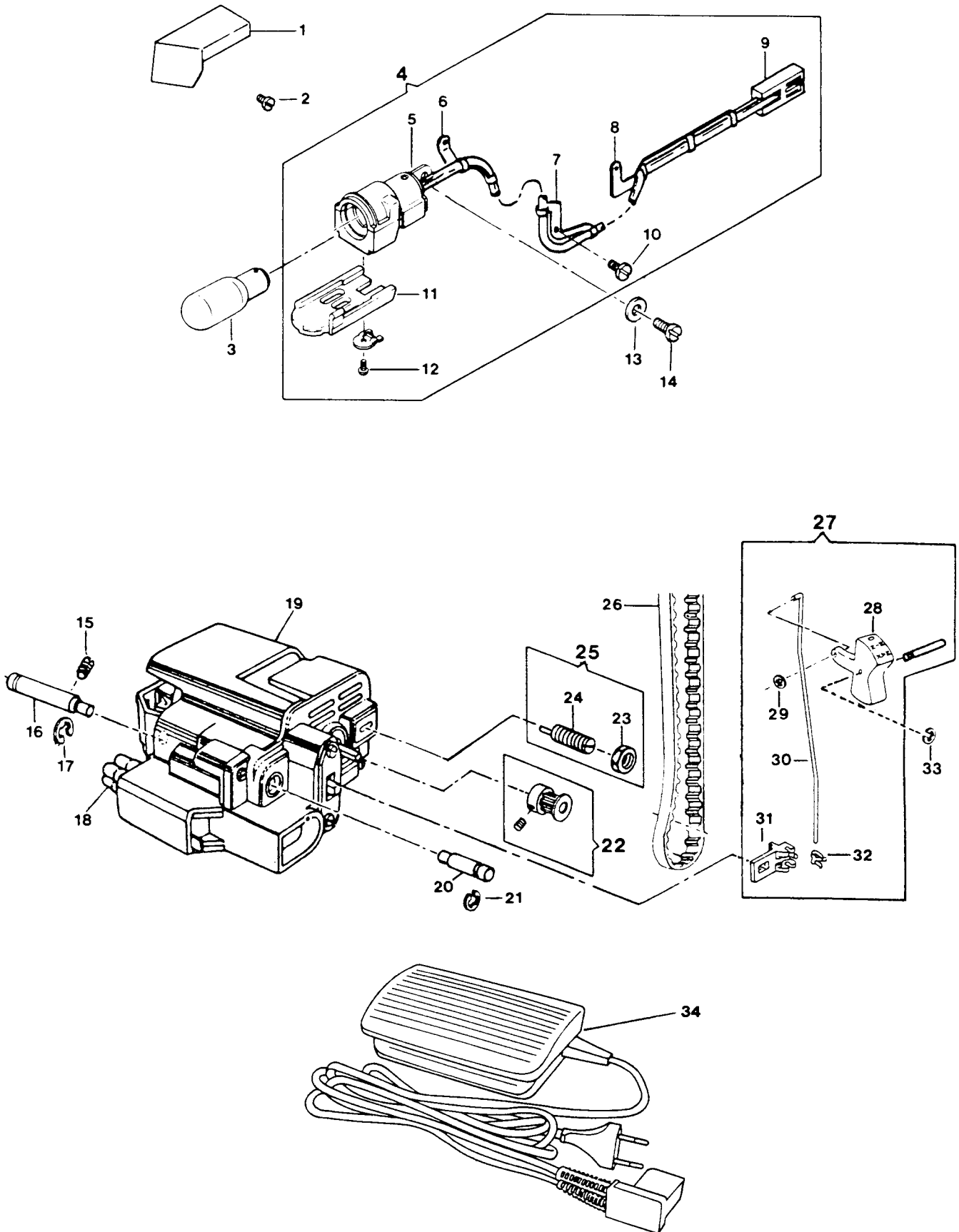
REF.	PART #	DISC CAM SELECTION	1	1	1	1	1	1	1
1	408472	Disc (buttonhole) follower selector stud (feed cam)	X	X	X	X	X	X	X
	408472	Disc (buttonhole) needle position follower selector stud	X	X	X	X	X	X	X
	408472	Disc (feed control) follower selector stud (flexi cam)	X	X	X	X	X	X	X
2	409566	Disc pattern selector plate	X	X	X		X		
	409591	Disc pattern selector plate				X		X	
3	544088	Disc pattern selector plate screw	X	X	X	X	X		
4	408912	Disc (buttonhole) follower slide block (feed cam)	X	X	X	X	X	X	X
	408912	Disc (buttonhole) needle position follower slide block	X	X	X	X	X	X	X
	408912	Disc (feed control) follower slide block (flexi cam)	X	X	X	X	X	X	X
5	408140	Disc (feed control) follower slide block (flexi cam)							
		adjusting plate	X	X	X	X	X	X	X
	408137	Disc (buttonhole) needle position follower slide block							
		adjusting plate	X	X	X		X	X	
	408137	Disc (buttonhole) follower slide block (feed cam)							
		adjusting plate	X	X	X		X		
	408536	Disc (buttonhole) follower slide block (feed cam)							
		adjusting plate			X		X		
6	547670	Disc (buttonhole) follower slide block (feed cam)							
		adjusting plate washer	X	X	X	X	X	X	X
	547670	Disc (buttonhole) needle position follower slide block							
		adjusting plate washer	X	X	X	X	X	X	X
	547670	Disc (feed control) follower slide block (flexi cam)							
		adjusting plate washer	X	X	X	X	X	X	X
7	514607	Disc (buttonhole) follower selector stud (feed cam) nut	X	X	X	X	X	X	X
	514607	Disc (buttonhole) needle position follower nut	X	X	X	X	X	X	X
	514607	Disc (feed control) follower selector stud (flexi cam)							
		nut	X	X	X	X	X	X	X
8	408528	Disc follower releasing lever actuating lever bracket				X		X	
9	549301	Disc follower actuating plate adjusting plate screw (2)				X			
10	408548	Needle position releasing lever connection				X			
11	408547	Needle position releasing lever connection adjusting							
		plate				X			
12	408454	Needle position releasing lever connection ring				X			
13	408543	Needle position releasing lever actuating lever				X			
14	549324	Needle position releasing lever adjusting plate screw				X			
17	549324	Needle position releasing lever connection screw				X			
18	408537	Disc (feed control) follower releasing lever actuating							
		lever				X			
19	408274	Disc follower releasing lever actuating lever stud ring				X			
20	408542	Disc (feed control) follower releasing lever actuating							
		lever return spring				X		X	
21	544090	Disc follower actuating plate lever cap screw	X	X	X		X	X	
22	408145	Disc follower actuating plate lever Complete	X	X	X	X	X	X	X
23	408110	Disc follower actuating plate Complete	X	X	X	X	X	X	X
24	408141	Disc (bracket) follower slide block lever Complete	X	X	X		X		
25	544090	Disc (feed control) follower slide block lever set screw	X	X	X	X	X		
26	549301	Disc follower actuating plate adjusting plate screw (2)	X	X	X	X	X	X	X
27	408114	Disc follower actuating plate adjusting plate	X	X	X	X	X	X	X
28	408113	Disc follower actuating plate guide plate	X	X	X	X	X	X	X
29	549324	Disc follower actuating plate guide plate screw (2)	X	X	X	X	X	X	X
30	44371	Disc pattern selector cam retaining ring				X		X	
31	408527	Disc pattern selector cam shaft washer				X		X	
32	408526	Disc pattern selector cam shaft thrush washer				X		X	

REF.	PART #	DISC CAM SELECTION (CONTINUATION)	1	1	1	1	1	1	1
34	408115	Disc needle position follower selector positioning plate	X	X	X	X	X	X	X
35	549357	Disc pattern selector plate screw (2)	X	X	X	X	X	X	X
36	549301	Disc needle position follower selector positioning plate							
		screw	X	X	X	X	X	X	X
37	408533	Disc (feed control) follower slide block lever bracket			X			X	
38	549301	Disc (feed control) follower slide block lever bracket							
		screw			X			X	
39	408531	Disc (feed control) follower slide block lever			X			X	
40	544086	Disc (feed control) follower slide bk. lever hinge screw			X			X	
41	408535	Disc (feed control) follower slide block lever spring			X			X	
42	408030	Disc needle position follower selector positioning pawl							
		retaining ring	X	X	X	X	X	X	X
43	408117	Disc needle position follower selector positioning pawl	X	X	X	X	X	X	X
44	408118	Disc needle position follower selector positioning pawl							
		spring	X	X	X	X	X	X	X
45	408526	Disc pattern selector cam shaft thrust washer			X				
46	408524	Disc pattern selector cam			X				
47	409611	Disc pattern selector dial Complete	X	X	X	X	X	X	X
48	544104	Disc pattern selector dial set screw			X			X	
49	408521-453	Disc pattern selector dial. Complete			X			X	
50	409610	Disc pattern selector plate Assembly	X						
	409667	Disc pattern selector plate Assembly	X	X	X	X	X	X	X
51	408155	Disc pattern selector dial lock lever Complete	X	X	X	X	X	X	X
52	408030	Disc pattern selector dial lock lever hinge pin retain-							
		ing ring (2)	X	X	X	X	X	X	X
53	408153	Disc pattern selector dial lock lever hinge pin	X	X	X	X	X	X	X
54	408154	Disc pattern selector dial lock lever spring	X	X	X	X	X	X	X
55	408151	Disc pattern selector dial lock lever	X	X	X	X	X	X	X
56	408152	Disc pattern selector dial lock lever bracket	X	X	X	X	X	X	X
57	549301	Disc pattern selector dial lock lever bracket screw (2)	X	X	X	X	X	X	X
58	544103	Disc pattern selector dial lock lever disengaging lever							
		set screw	X	X	X	X	X	X	X
59	408156	Disc pattern selector dial lock lever disengaging lever							
		Complete	X	X	X	X	X	X	X
60	544086	Disc selector pattern indicator actuating lever hinge							
		screw	X	X	X	X	X	X	X
60A	544086	Disc selector pattern indicator actuating wire hinge							
		screw	X	X	X	X	X	X	X
61	409564	Disc selector pattern indicator actuating lever Complete	X	X	X	X	X	X	X
62	545480	Disc selector pattern indicator actuating wire hinge							
		screw nut	X			X		X	
63	549301	Disc selector pattern indicator actuating lever bracket							
		screw (2)	X	X	X	X	X	X	X
64	549301	Disc pattern selector cam spring set screw	X	X	X	X	X	X	X
65	408150	Disc pattern selector cam spring	X	X	X	X	X	X	X
66	409696	Disc pattern selector cam spring isolator	X	X	X	X	X	X	X
67	409561	Disc selector pattern indicator actuating lever bracket	X	X	X	X	X	X	X
68	408106	Disc pattern selector cam	X	X	X	X	X	X	X
	408524	Disc pattern selector cam			X			X	
69	544103	Disc pattern selector cam screw	X	X	X	X	X	X	X
70	408274	Disc pattern selector cam retaining ring	X	X	X	X	X	X	X

DISC CAM SELECTION



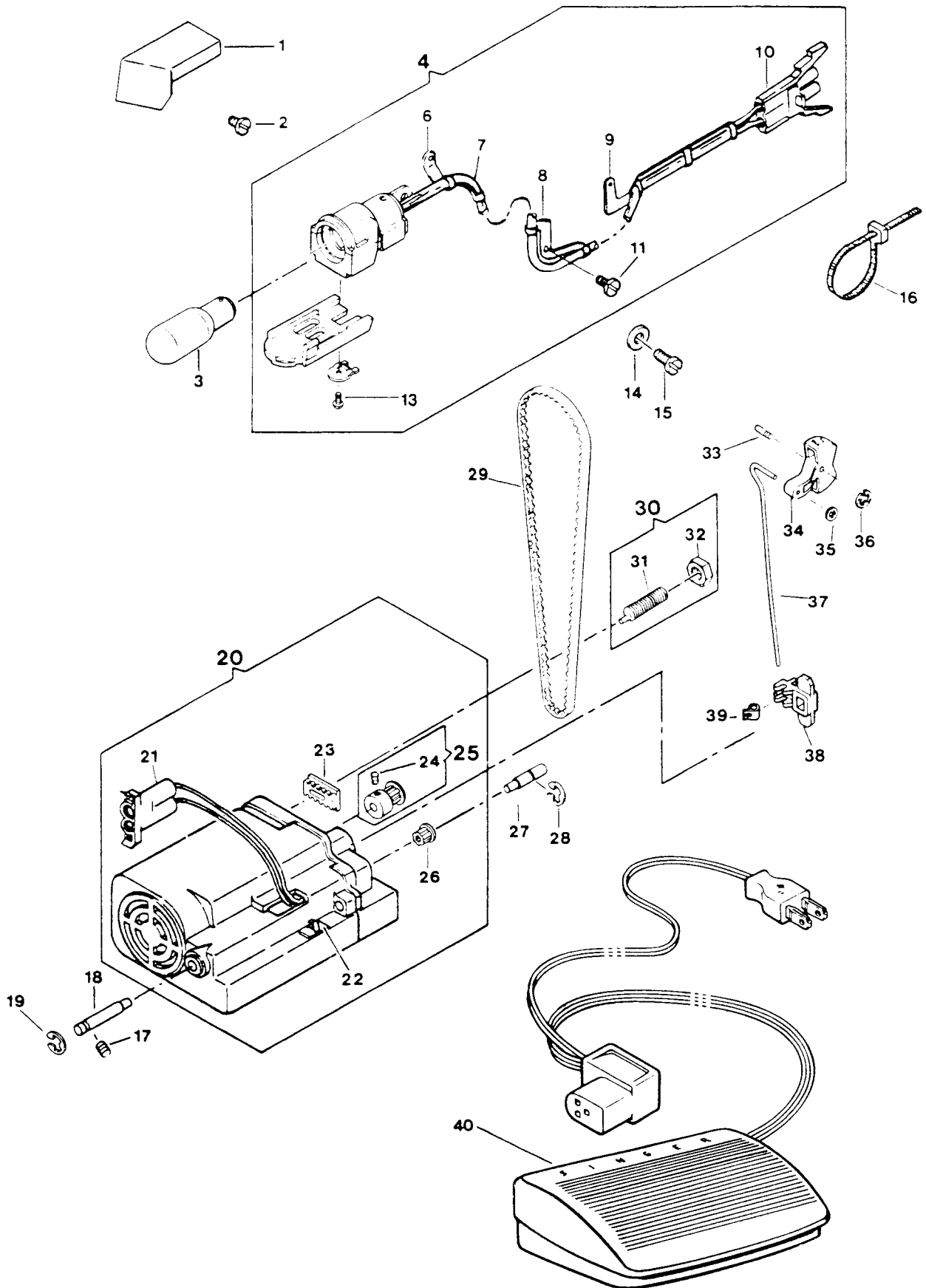
ELECTRICAL EQUIPMENT



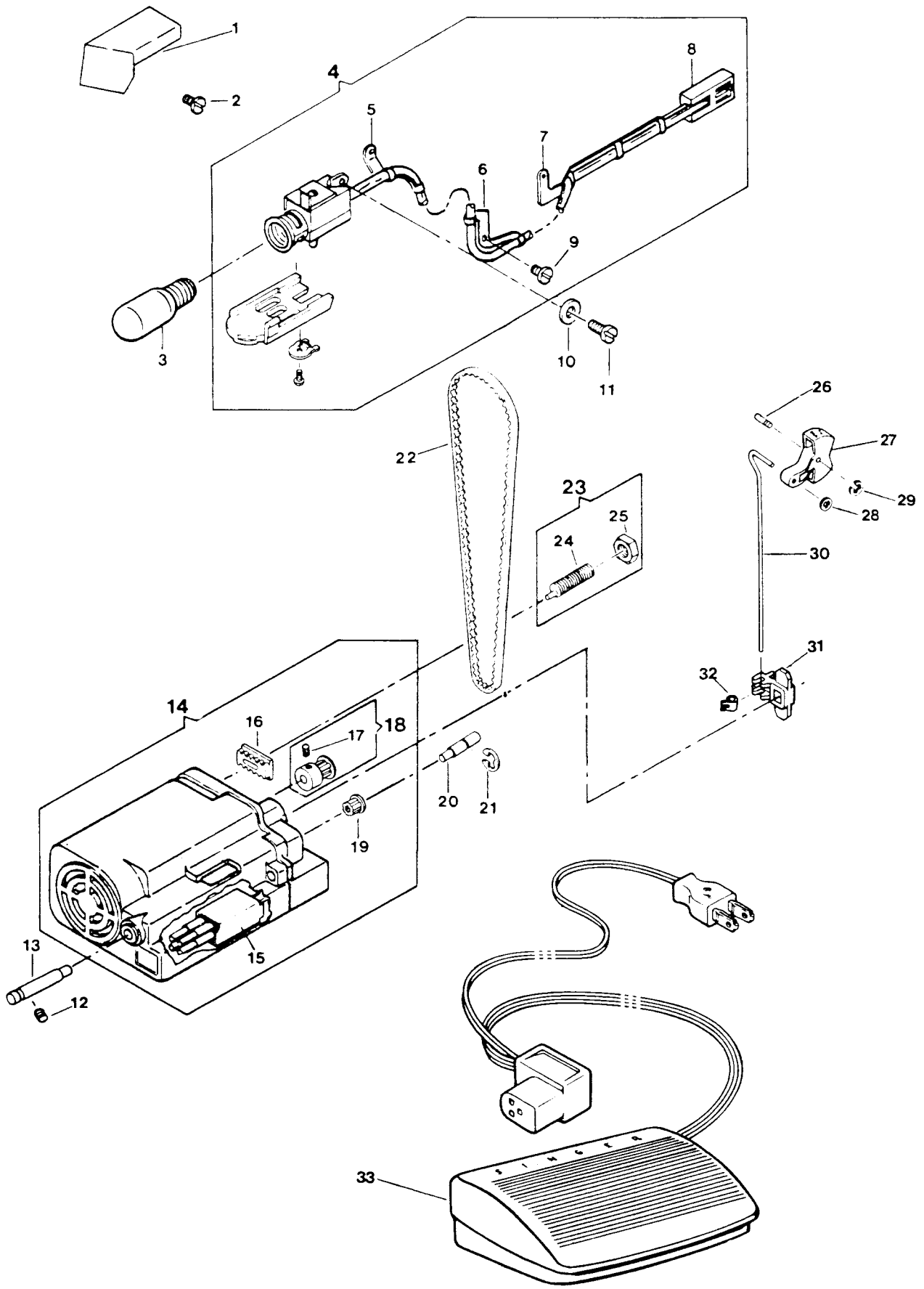
REF.	PART #	ELECTRICAL EQUIPMENT							
									1111111111
									1014141414
									412121211
									1015111511
									1111111111
1	542657	Light Shield							X X X X
2	549357	Light Shield Screw							X X X X
3	542656-002	Lamp (200, 240 V.)							X X
	542656-003	Lamp (220 V.)							X X X X
	542656-004	Lamp (230, 240 V.)							X X
	542656-005	Lamp (110 V.)							X X X X
4		Socket with Cord and Bracket and Hinge Screw Complete							X X
	542768-001	Socket with Cord and Bracket and Hinge Screw Complete							
		(220, 230, 240 V.)							X X
5	605206-006	Socket with Cord and Bracket Complete							X X
6	542661	Light Cord Harness Bracket (upper)							X X X X
7	542662	Light Cord Harness Bracket (intermediate)							X X X X
8	542663	Light Cord Harness Bracket (bottom)							X X X X
10	549301	Light Cord Harness Bracket Screw							X X X X
11	988351-001	Light Lens							X X
12	618702-002	Light Lens Screw							X X
	544121	Light Lens Screw							X X
13	511390	Light Mounting Bracket Friction Washer							X X
	42436	Light Mounting Bracket Friction Washer							X X
14	514743-451	Light Mounting Bracket Friction Hinge Screw							X X
	544190	Light Mounting Bracket Hinge Screw							X X
15	544118	Motor Hinge Pin (left) Set Screw							X X
16	422190	Motor Hinge Pin (left)							X X
17	511213	Motor Hinge Pin (left) Retaining Ring							X X
19	988349-001	Motor, Motor Adjusting Block and Motor Hinge Pin Bushing							
		Complete (220 V.)							X X
20	422191	Motor Hinge Pin (right)							X X
21	511213	Motor Hinge Pin (right) Retaining Ring							X X
22	604431-002	Motor Belt Pulley Assembly							X X
23	541157	Motor Adjusting Stud Eccentric Nut							X X
24	544122	Motor Adjusting Stud (eccentric)							X X
25	408460	Motor Adjusting Stud Eccentric Complete							X X
26	408459	Motor Belt							X X
27	422189-451	Light Switch Actuating Lever Rocker Button with							
		Actuating Lever Rod and Actuating Bracket							X X
28	988182	Light Switch Actuating Lever Rocker Button							X X
29	408454	Light Switch Actuating Lever Rod Ring							X X
30	542718	Light Switch Actuating Lever Rod							X X
31	542888	Light Switch Actuating Bracket							X X
32	382330	Light Switch Actuating Bracket Spring Clip							X X
33	507343	Light Switch Actuating Lever Rocker Button Hinge Pin							
		Ring							X X
34	988275-001	Controller Complete (220 V.)							X X

REF.	PART #	ELECTRICAL EQUIPMENT	1	1	1	1	1	1	1
1	542657	Light Shield			X	X	X	X	X
2	549357	Light Shield Screw			X	X	X	X	X
3	542656-005	Lamp (110 V.)			X	X	X	X	X
4	411510-001	Socket with Cord and Bracket and Hinge Screw Complete							
		(120 V., U.S.)			X	X	X	X	X
	411510-002	Socket with Cord and Bracket and Hinge Screw Complete							
		(120 V., Canada)			X	X			
6	542661	Light Cord Harness Bracket (upper)			X	X	X	X	X
7	411509-001	Light Cord Complete						X	X
	411059-001	Light Cord Complete			X	X			
8	542662	Light Cord Harness Bracket (intermediate)			X	X	X	X	X
9	542663	Light Cord Harness Bracket (bottom)			X	X	X	X	X
10	618514	Pin Terminal (2)			X	X	X	X	X
11	549301	Light Cord Harness Bracket Screw			X	X	X	X	X
13	544121	Light Lens Screw			X	X	X	X	X
14	42436	Light Mounting Bracket Friction Washer			X	X	X	X	X
15	544190	Light Mounting Bracket Hinge Screw			X	X	X	X	X
16	540899	Light Cord Retainer			X	X	X	X	X
17	544118	Motor Hinge Pin (left) Set Screw			X	X	X	X	X
18	422190	Motor Hinge Pin (left)						X	X
	542653	Motor Hinge Pin (left)			X	X			
19	511213	Motor Hinge Pin (left) Retaining Ring						X	X
20	411511-002	Motor, Motor Adjusting Block and Motor Hinge Pin Bushing							
		Complete (120 V, U.S., Canada)			X	X	X	X	X
21	618492	Motor Connection Plug			X	X	X	X	X
22	411559	Motor Cord Retainer			X	X	X	X	X
23	604723-001	Motor Adjusting Block						X	X
	604228-001	Motor Adjusting Block			X	X			
24	549293	Motor Belt Pulley Set Screw			X	X	X	X	X
25	542650	Motor Belt Pulley Complete			X	X	X	X	X
26	604229-001	Motor Hinge Pin Bushing (2)			X	X	X	X	X
27	542654	Motor Hinge Pin (right)			X	X	X	X	X
28	408274	Motor Hinge Pin (right) Retaining Ring			X	X	X	X	X
29	408459	Motor Belt			X	X	X	X	X
30	408460	Motor Adjusting Stud Eccentric Complete			X	X	X	X	X
31	544122	Motor Adjusting Stud (eccentric)			X	X	X	X	X
32	541157	Motor Adjusting Stud Eccentric Nut			X	X	X	X	X
33	542659	Rocker Button Pin			X	X			
34	542658-454	Light Switch Actuating Lever Rocker Button			X	X	X	X	X
35	404454	Light Switch Actuating Lever Rod Ring			X	X	X	X	X
36	408030	Light Switch Actuating Lever Rocker Button Hinge Pin							
		Ring			X	X	X	X	X
37	542718	Light Switch Actuating Lever Rod			X	X	X	X	X
38	542888	Light Switch Actuating Bracket			X	X	X	X	X
	502479	Light Switch Actuating Bracket			X	X			
39	382330	Light Switch Actuating Bracket Spring Clip			X	X	X	X	X
40	411512-002	Controller Complete (120 V., U.S., Canada)			X	X	X	X	X

ELECTRICAL EQUIPMENT



ELECTRICAL EQUIPMENT



REF.	PART #	ELECTRICAL EQUIPMENT	1	1	1	1	1	1	1
1	542657	Light Shield			X	X			
2	549357	Light Shield Screw			X	X			
3	549887	Lamp (110 V.)			X	X			
4	542969-001	Socket with Cord and Bracket and Hinge Screw Complete							
		(110 V.)			X	X			
5	542661	Light Cord Harness Bracket (upper)			X	X			
6	542662	Light Cord Harness Bracket (intermediate)			X	X			
7	542663	Light Cord Harness Bracket (bottom)			X	X			
8	604859-001	Pin Terminal			X	X			
9	549301	Light Cord Harness Bracket Screw			X	X			
10	42436	Light Mounting Bracket Friction Washer			X	X			
11	544190	Light Mounting Bracket Hinge Screw			X	X			
12	544118	Motor Hinge Pin (left) Set Screw			X	X			
13	542653	Motor Hinge Pin (left)			X	X			
14	542914-001	Motor, Motor Adjusting Block and Motor Hinge Pin Bushing							
		Complete (110 V.)			X	X			
	542648-020	Motor, Motor Adjusting Block and Motor Hinge Pin Bushing							
		Complete (110 V.)			X	X			
	542648-030	Motor, Motor Adjusting Block and Motor Hinge Pin Bushing							
		Complete (200 V.)			X	X			
	542648-040	Motor, Motor Adjusting Block and Motor Hinge Pin Bushing							
		Complete (220 V.)			X	X			
	542648-060	Motor, Motor Adjusting Block and Motor Hinge Pin Bushing							
		Complete (240 V., 230 V.)			X	X			
15	604409-003	Motor Connection Plug			X	X			
16	604228-001	Motor Adjusting Block			X	X			
17	549293	Motor Belt Pulley Set Screw			X	X			
18	542650	Motor Belt Pulley Complete			X	X			
19	604229-001	Motor Hinge Pin Bushing (2)			X	X			
20	542654	Motor Hinge Pin (right)			X	X			
21	408274	Motor Hinge Pin (right) Retaining Ring			X	X			
22	408459	Motor Belt			X	X			
23	408460	Motor Adjusting Stud Eccentric Complete			X	X			
24	544122	Motor Adjusting Stud (eccentric)			X	X			
25	541157	Motor Adjusting Stud Eccentric Nut			X	X			
26	542659	Rocker Button Pin			X	X			
27	542658-451	Light Switch Actuating Lever Rocker Button			X	X			
	542658-452	Light Switch Actuating Lever Rocker Button			X	X			
28	404454	Light Switch Actuating Lever Rod Ring			X	X			
29	408030	Light Switch Actuating Lever Rocker Button Hinge Pin							
		Ring			X	X			
30	542718	Light Switch Actuating Lever Rod			X	X			
31	502479	Light Switch Actuating Bracket			X	X			
	542916	Light Switch Actuating Bracket			X	X			
	542888	Light Switch Actuating Bracket			X	X			
32	382330	Light Switch Actuating Bracket Spring Clip			X	X			
33	542915-001	Controller Complete (110 V.)			X	X			
	540892-010	Controller Complete (110 V.)			X	X			
	540892-012	Controller Complete (110 V.)			X	X			
	540892-041	Controller Complete (230 V., 220V., 240 V.)			X	X			
	540892-042	Controller Complete (200, 240 V.)			X	X			
	540892-043	Controller Complete (220 V.)			X	X			
	540892-045	Controller Complete (220, 240 V.)			X	X			