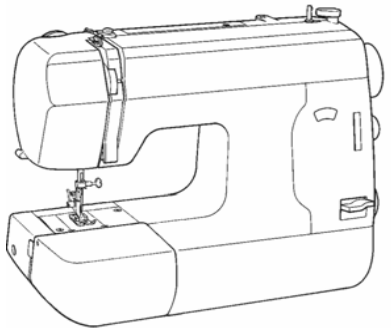


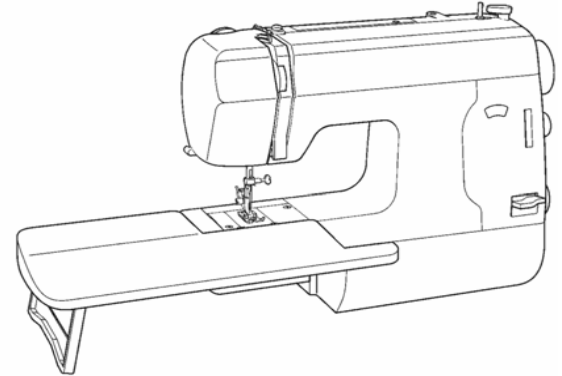
→ REFER TO IMPORTANT NOTICE BELOW

PARTS LIST FOR

140



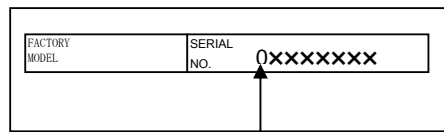
140T



IMPORTANT:

WHEN ORDERING THE PARTS
ALWAYS CHECK THE SERIAL
NUMBER OF THE MACHINE.

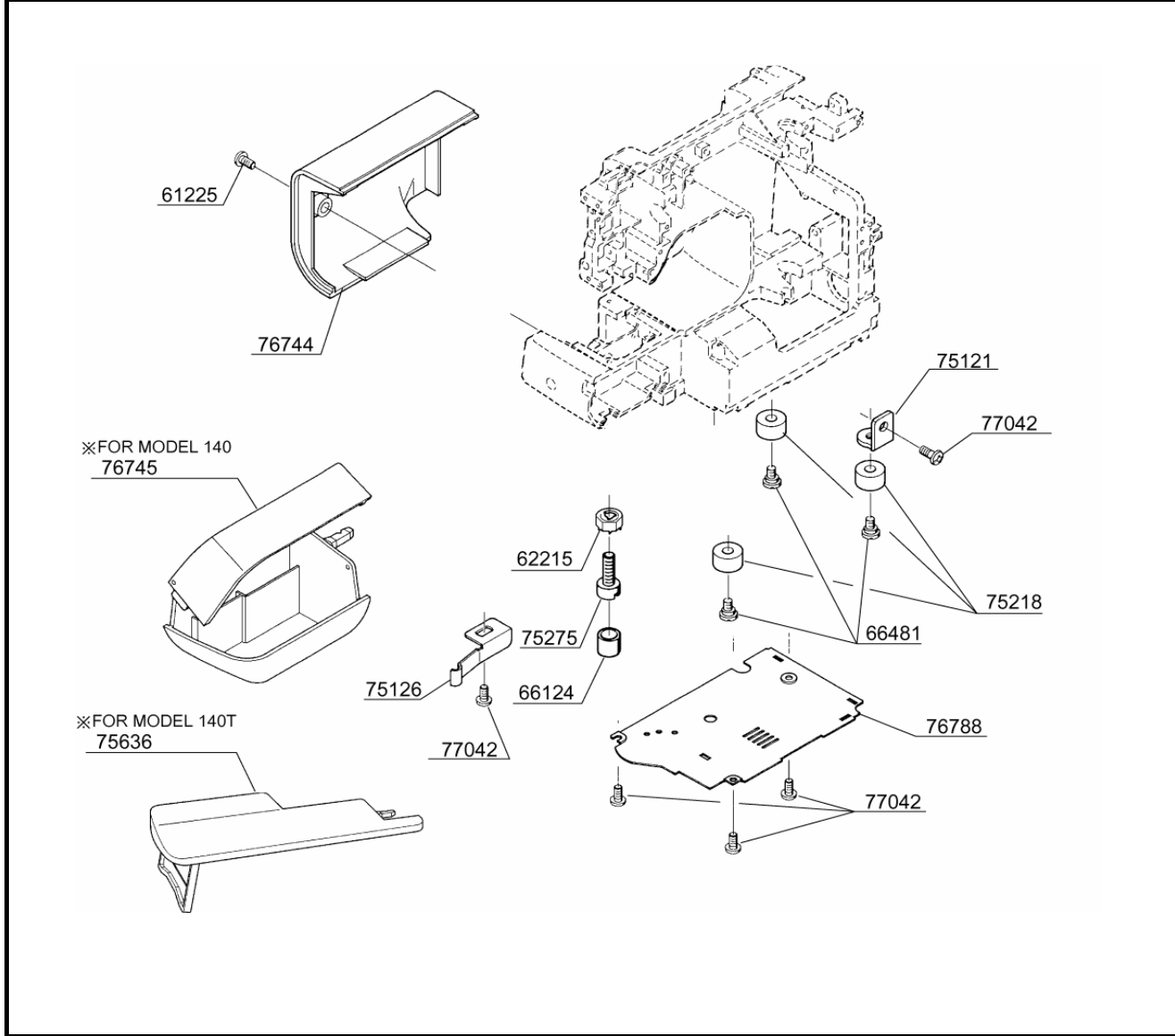
FIRST DIGIT OF THE SERIAL
NUMBER MUST MATCH WITH
THE LAST DIGIT OF THE
FACTORY
MODEL ABOVE.



↑
FIRST DIGIT

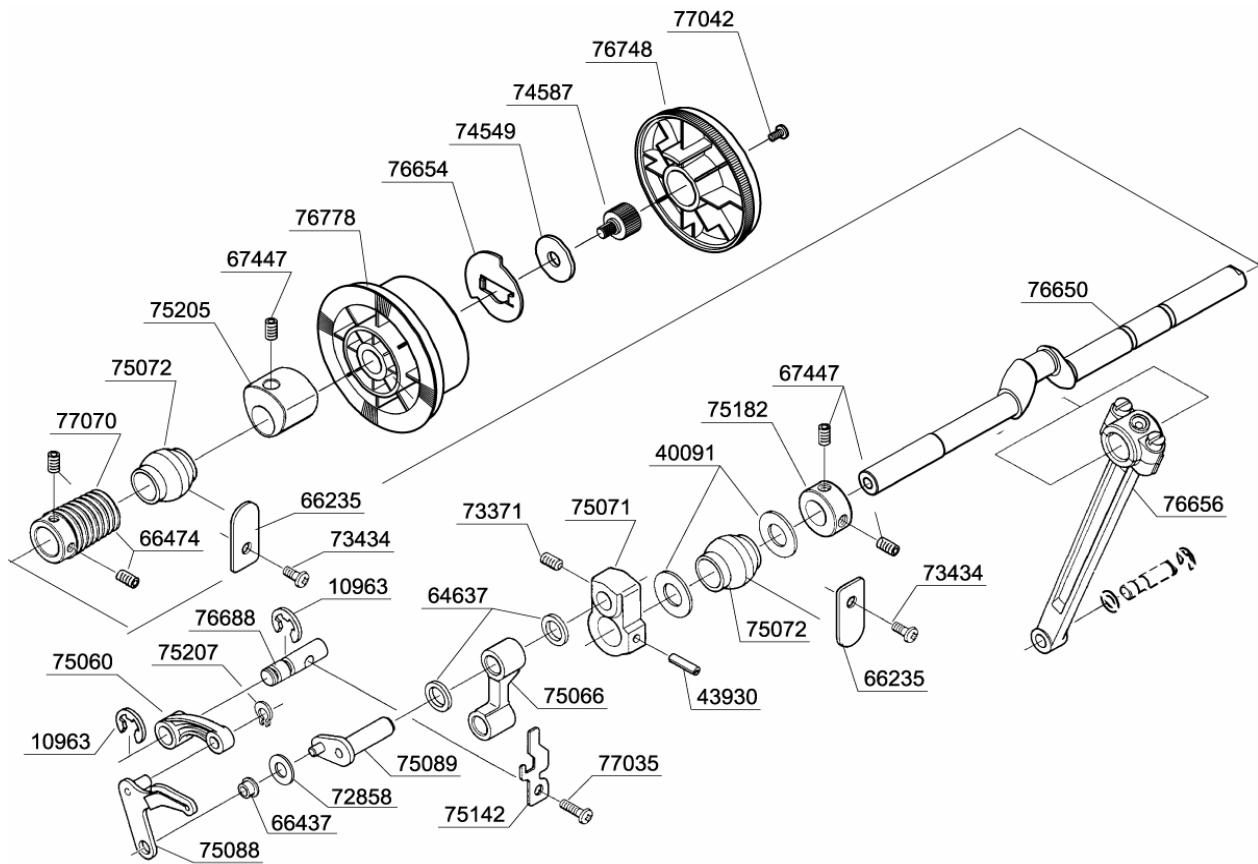
SINGER

BUYER'S MODEL NO.	140 / 140T	SECTION	PAGE	REVISION	REMARKS	PART NO.	DESCRIPTION
BUYER'S MODEL NAME		-	1			61225	M4 PHILLIPS SCREW
FACTORY MODEL						62215	M4 TORQUE NUT
ORIGINAL ISSUE	JULY, 2003	SERIAL NO.				66124	RUBBER FOOT



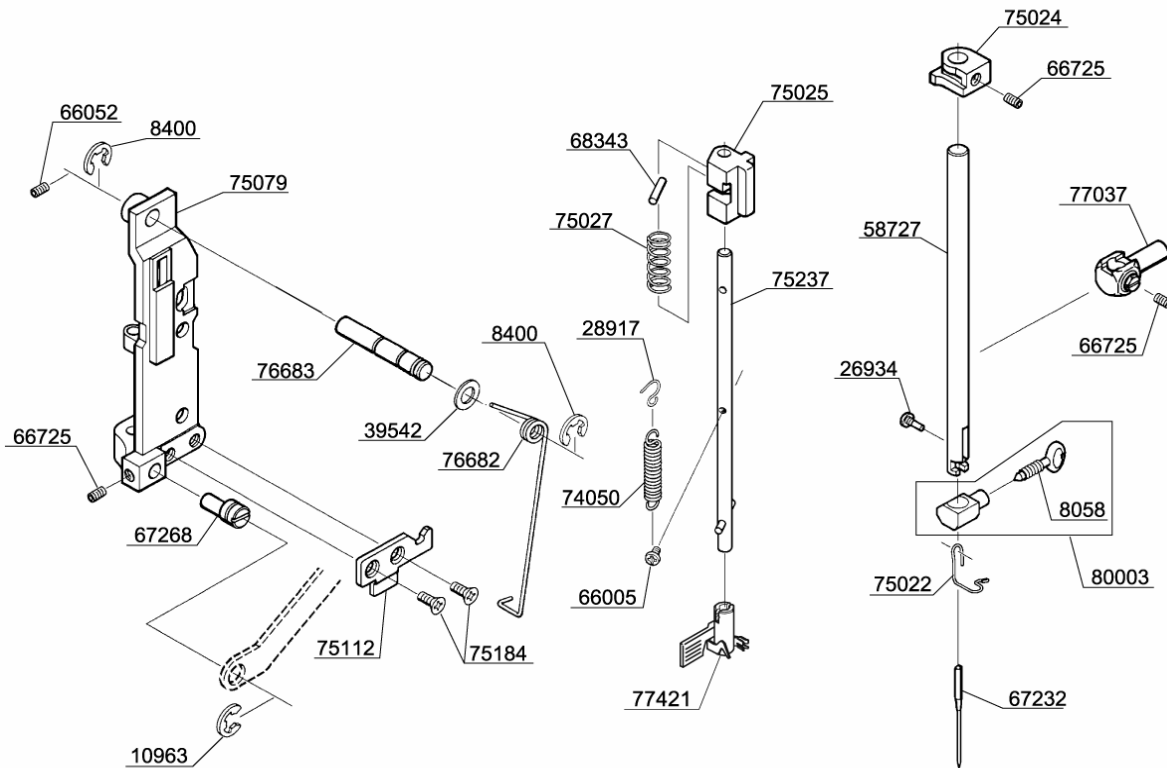
PART NO.	DESCRIPTION
61225	M4 PHILLIPS SCREW
62215	M4 TORQUE NUT
66124	RUBBER FOOT
66481	M4 STUD SCREW
75121	PLATE
75126	LEAF SPRING
75218	RUBBER CUSHION
75275	M4 STUD SCREW
75636	EXTENSION TABLE (FOR MODEL 140T)
76744	COVER
76745	ACCESSORY BOX COMPLETE (FOR MODEL 140)
76788	BED COVER
77042	M4 PHILLIPS SCREW

BUYER'S MODEL NO.	140 / 140T	SECTION	PAGE	REVISION	REMARKS	PART NO.	DESCRIPTION
BUYER'S MODEL NAME		-	2			10963	E6 CLIP-ON-WASHER
FACTORY MODEL						40091	THRUST WASHER
ORIGINAL ISSUE	JULY, 2003	SERIAL NO.				43930	SPRING PIN



10963	E6 CLIP-ON-WASHER
40091	THRUST WASHER
43930	SPRING PIN
64637	THRUST WASHER
66235	SECURING PLATE
66437	BUSH
66474	M5 SCREW
67447	M5 SCREW
72858	WASHER
73371	M6 SCREW
73434	M4 PHILLIPS SCREW
74549	WASHER
74587	M6 STUD SCREW
75060	TAKE-UP LEVER CRANK
75066	NEEDLE BAR CRANK
75071	BALANCE CAM
75072	BALL BUSHING
75088	TAKE-UP LEVER
75089	CRANK SHAFT
75142	CORD GUIDE
75182	COLLAR
75205	FEED REGULATING CAM
75207	CS-CLIP
76650	MAIN SHAFT
76654	WASHER
76656	CONNECTING ROD
76688	SHAFT
76748	HAND WHEEL
76778	BELT PULLEY
77035	M4 PHILLIPS SCREW
77042	M4 PHILLIPS SCREW
77070	SPIRAL GEAR

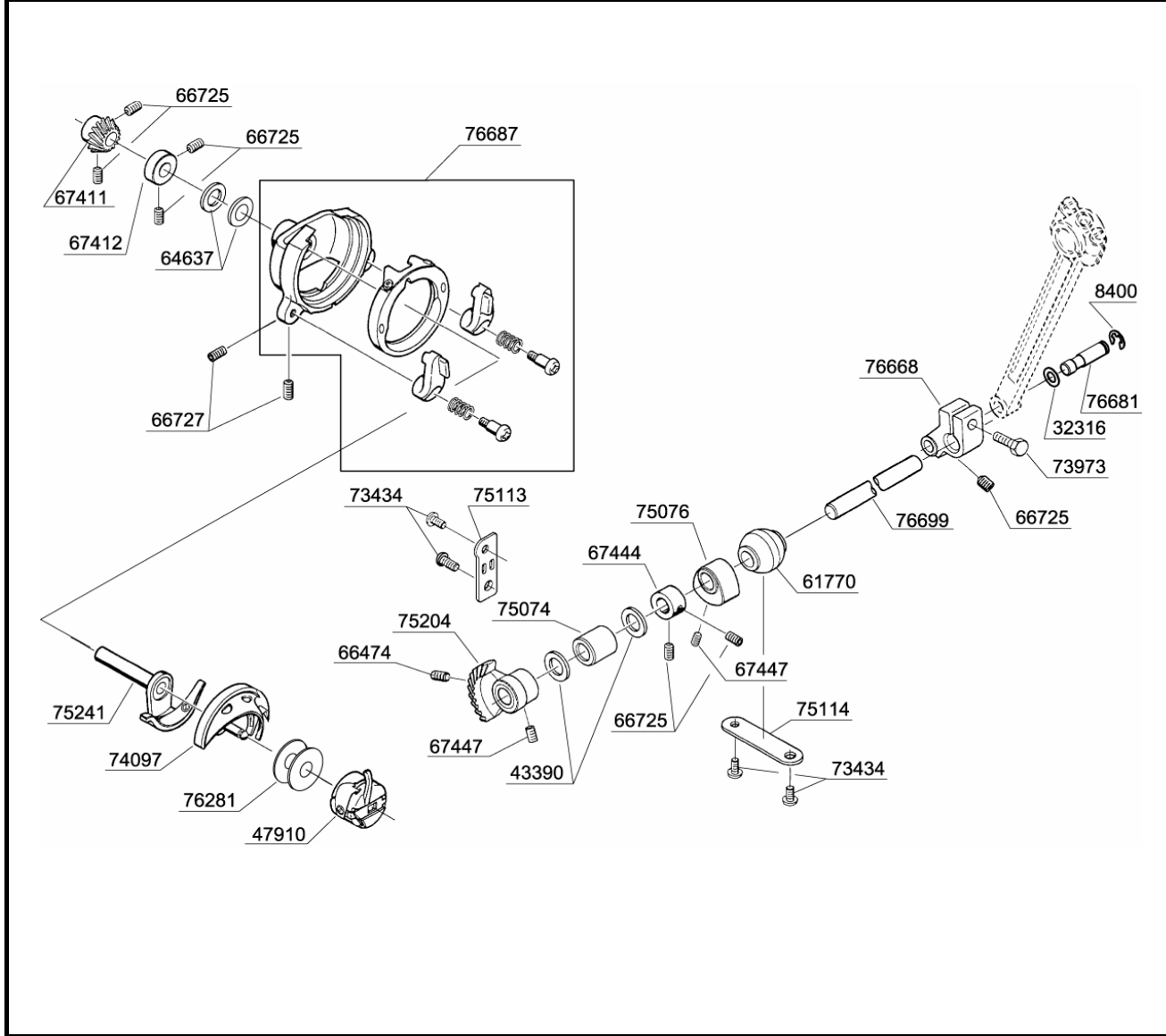
BUYER'S MODEL NO.	140 / 140T	SECTION	PAGE	REVISION	REMARKS
BUYER'S MODEL NAME		-	3		
FACTORY MODEL					
ORIGINAL ISSUE	JULY, 2003	SERIAL NO.			



PART NO.	DESCRIPTION
8058	NEEDLE CLAMP SCREW
8400	E5 CLIP-ON-WASHER
10963	E6 CLIP-ON-WASHER
26934	#8 SCREW
28917	#8 SCREW
39542	CS-6 CLIP-ON-WASHER
58727	NEEDLE BAR
66005	M2 PHILLIPS SCREW
66052	M4 SCREW
66725	M4 SCREW
67232	NEEDLE
67268	ECCENTRIC PIN
68343	PIN
74050	EXTENSION SPRING
75022	THREAD GUIDE
75024	STOPPER
75025	GUIDE BLOCK
75027	COMPRESSION SPRING
75079	NEEDLE BAR SUPPORT
75112	LATCH PLATE
75184	M4 COUNTERSUNK HEAD SCREW
75237	SHAFT
76682	TORSION SPRING
76683	SHAFT
77037	NEEDLE BAR CLAMP
77421	THREADER ASSEMBLY
80003	NEEDLE CLAMP SET

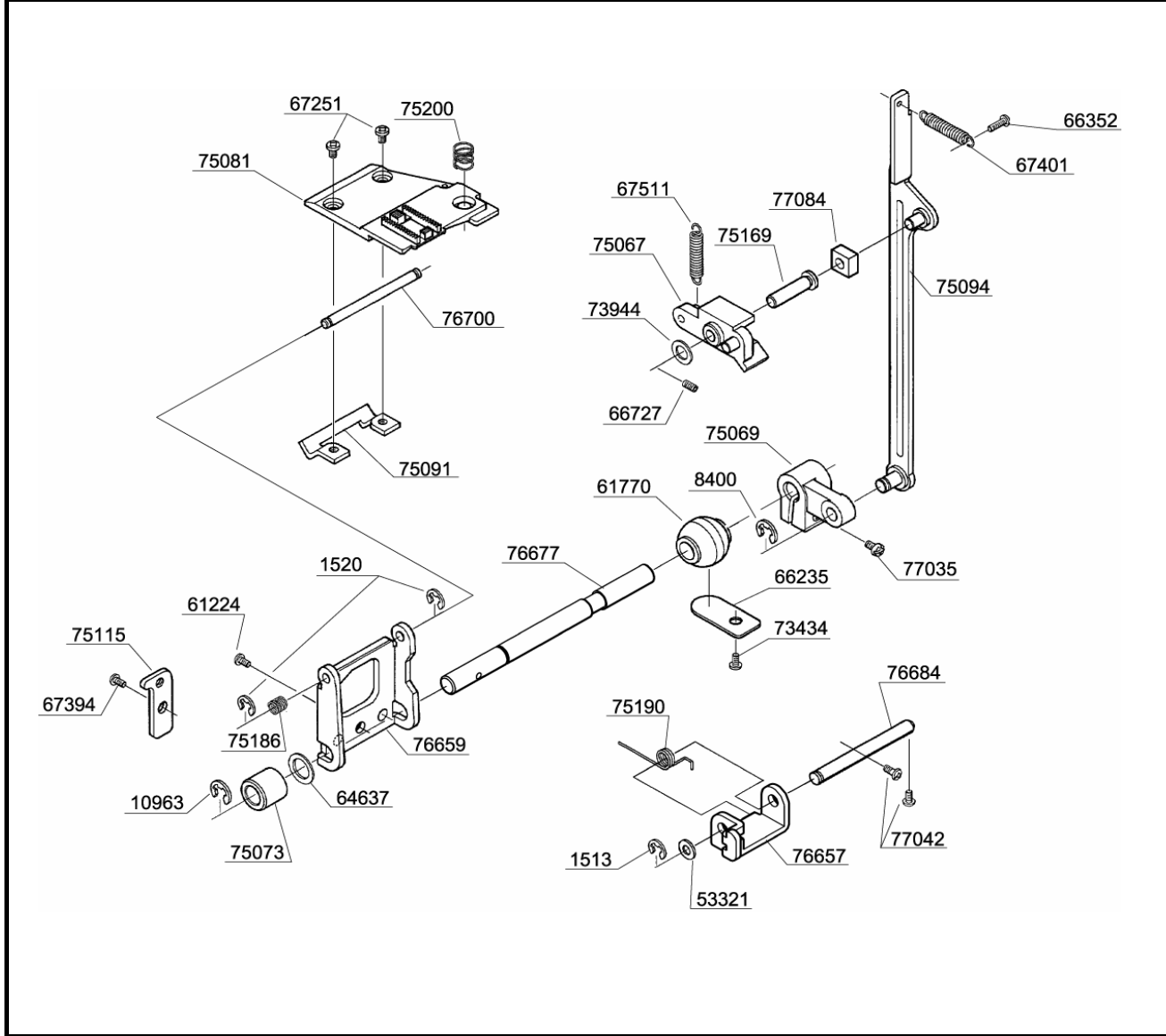
BUYER'S MODEL NO.	140 / 140T	SECTION	PAGE	REVISION	REMARKS
BUYER'S MODEL NAME		-	5		
FACTORY MODEL					
ORIGINAL ISSUE	JULY, 2003	SERIAL NO.			

PART NO.	DESCRIPTION
8400	E5 CLIP-ON-WASHER
32316	WASHER
43390	THRUST WASHER
47910	BOBBIN CASE
61770	BALL BUSHING
64637	THRUST WASHER
66474	M5 SCREW
66725	M4 SCREW
66727	M4 SCREW
67411	SPIRAL GEAR
67412	COLLAR
67444	COLLAR
67447	M5 SCREW
73434	M4 PHILLIPS SCREW
73973	M4 BOLT
74097	SHUTTLE HOOK
75074	BUSHING
75076	FEED-DOG LIFTING CAM
75113	SECURING PLATE A
75114	SECURING PLATE B
75204	BEVEL GEAR
75241	SHUTTLE DRIVER
76281	BOBBIN
76668	LOWER SHAFT ROCKER
76681	HEADED PIN
76687	SHUTTLE RACE ASSEMBLY
76699	LOWER SHAFT

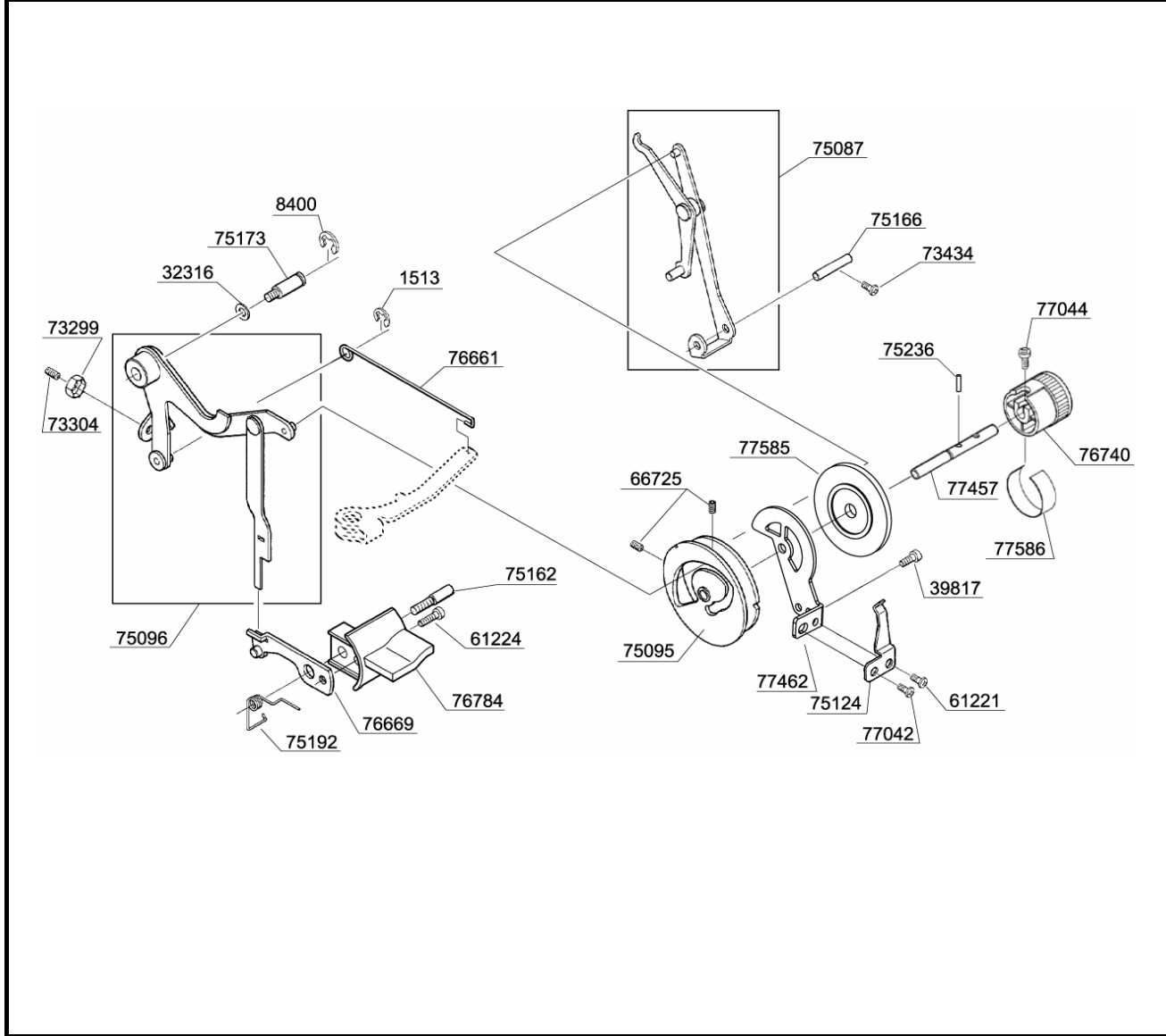


BUYER'S MODEL NO.	140 / 140T	SECTION	PAGE	REVISION	REMARKS
BUYER'S MODEL NAME		-	6		
FACTORY MODEL					
ORIGINAL ISSUE	JULY, 2003	SERIAL NO.			

PART NO.	DESCRIPTION
1513	E4 CLIP-ON-WASHER
1520	E3 CLIP-ON-WASHER
8400	E5 CLIP-ON-WASHER
10963	E6 CLIP-ON-WASHER
53321	THRUST WASHER
61224	M4 PHILLIPS SCREW
61770	BALL BUSHING
64637	THRUST WASHER
66235	SECURING PLATE
66352	M4 PHILLIPS SCREW
66727	M4 SCREW
67251	M3.5 PHILLIPS SCREW
67394	M5 PHILLIPS SCREW
67401	EXTENSION SPRING
67511	EXTENSION SPRING
73434	M4 PHILLIPS SCREW
73944	THRUST WASHER
75067	FEED REGULATOR
75069	FEED REGULATING SHAFT ROCKER
75073	BUSHING
75081	FEED-DOG
75091	SECURING PLATE
75094	FEED REGULATING ROD
75115	SECURING PLATE C
75169	HEADED PIN
75186	COMPRESSION SPRING
75190	TORSION SPRING
75200	COMPRESSION SPRING
76657	FEED-DOG LIFTING ARM BRACKET
76659	FEED REGULATING BRACKET
76677	FEED REGULATING SHAFT
76684	SHAFT
76700	SHAFT
77035	M4 PHILLIPS SCREW
77042	M4 PHILLIPS SCREW
77084	SLIDE BLOCK



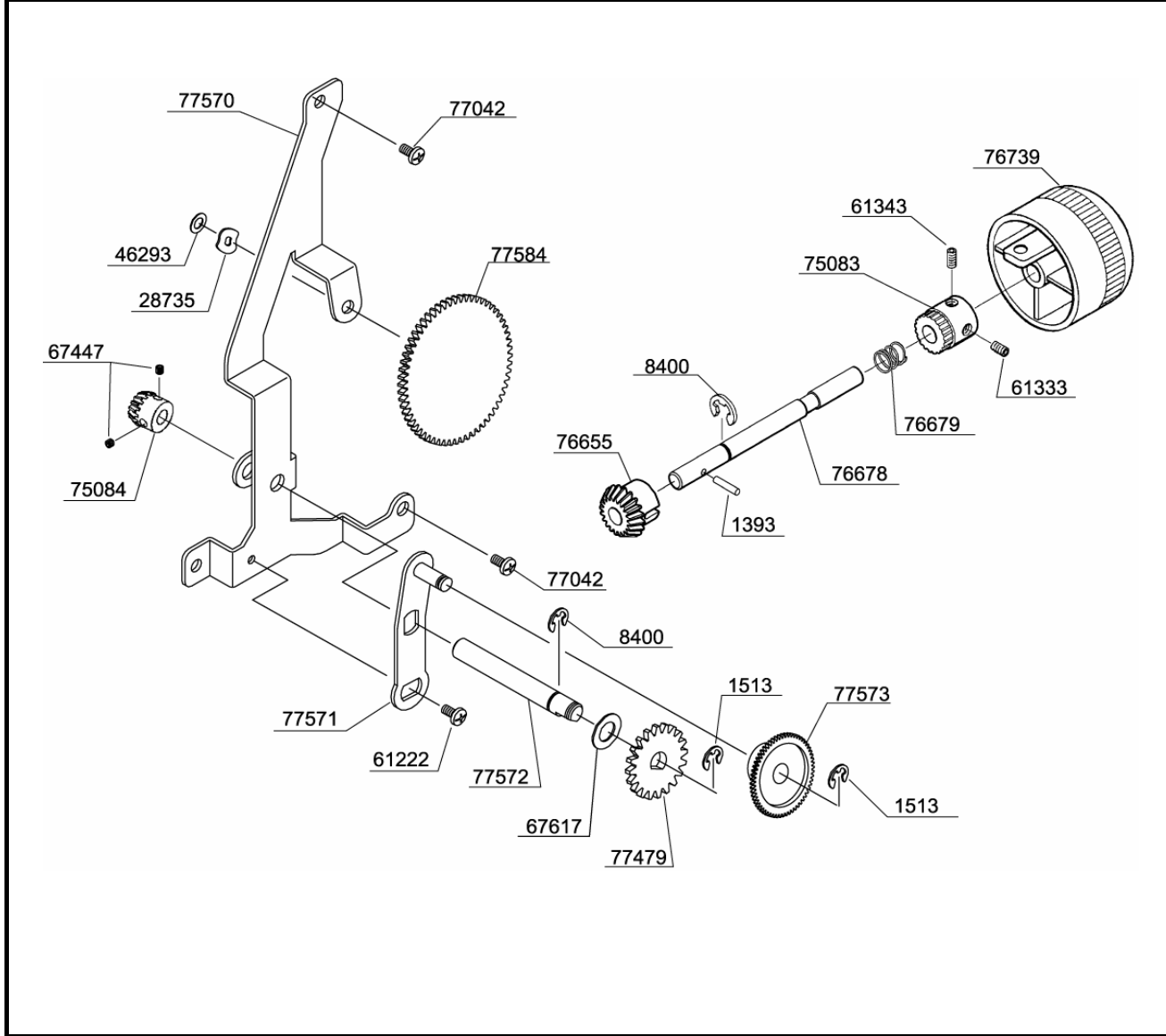
BUYER'S MODEL NO.	140 / 140T	SECTION	PAGE	REVISION	REMARKS
BUYER'S MODEL NAME		-	7		
FACTORY MODEL					
ORIGINAL ISSUE	JULY, 2003	SERIAL NO.			



PART NO.	DESCRIPTION
1513	E4 CLIP-ON-WASHER
8400	E5 CLIP-ON-WASHER
32316	WASHER
39817	M4 PHILLIPS SCREW
61221	M4 PHILLIPS SCREW
61224	M4 PHILLIPS SCREW
66725	M4 SCREW
73299	M4 TORQUE NUT
73304	M4 SCREW
73434	M4 PHILLIPS SCREW
75087	STRETCH STITCH CONTROL LINK ASSEMBLY
75095	STITCH LENGTH CONTROL CAM
75096	FEED CONTROL LINK ASSEMBLY
75124	LEAF SPRING
75162	M4 STUD SCREW
75166	SHAFT
75173	M4 STUD SCREW
75192	TORSION SPRING
75236	PIN
76661	BH WIRE ROD
76669	REVERSE STITCH ARM
76740	STITCH LENGTH CONTROL DIAL
76784	REVERSE STITCH LEVER
77042	M4 PHILLIPS SCREW
77044	M3 PHILLIPS SCREW
77457	SHAFT
77462	CONTROL DIAL BRACKET
77585	DIAL INDICATOR
77586	SEAL

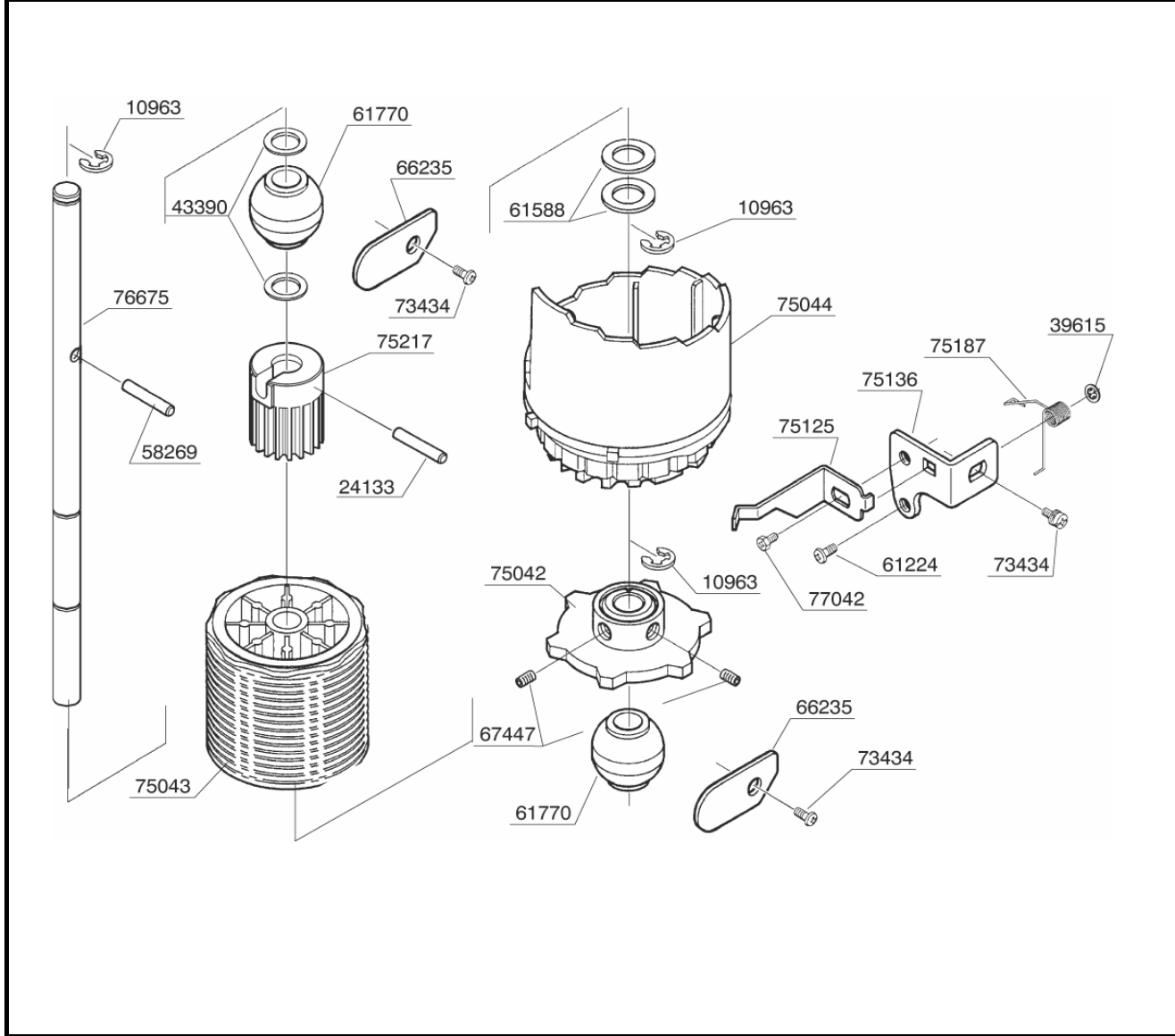
BUYER'S MODEL NO.	140 / 140T	SECTION	PAGE	REVISION	REMARKS
BUYER'S MODEL NAME		-	8		
FACTORY MODEL					
ORIGINAL ISSUE	JULY, 2003	SERIAL NO.			

PART NO.	DESCRIPTION
1393	SPRING PIN
1513	E4 CLIP-ON-WASHER
8400	E5 CLIP-ON-WASHER
28735	CRINKLE WASHER
46293	CS-5 CLIP-ON-WASHER
61222	M4 PHILLIPS SCREW
61333	M4 SCREW
61343	M4 SCREW
67447	M5 SCREW
67617	WASHER
75083	GEAR A
75084	BEVEL GEAR
76655	BEVEL GEAR
76678	SHAFT
76679	TORSION SPRING
76739	PATTERN SELECTING DIAL
77042	M4 PHILLIPS SCREW
77479	GEAR (1)
77570	PATTERN INDICATOR BASE PLATE
77571	GEAR BRACKET
77572	COUNTER SHAFT
77573	GEAR (2)
77584	PATTERN DISK



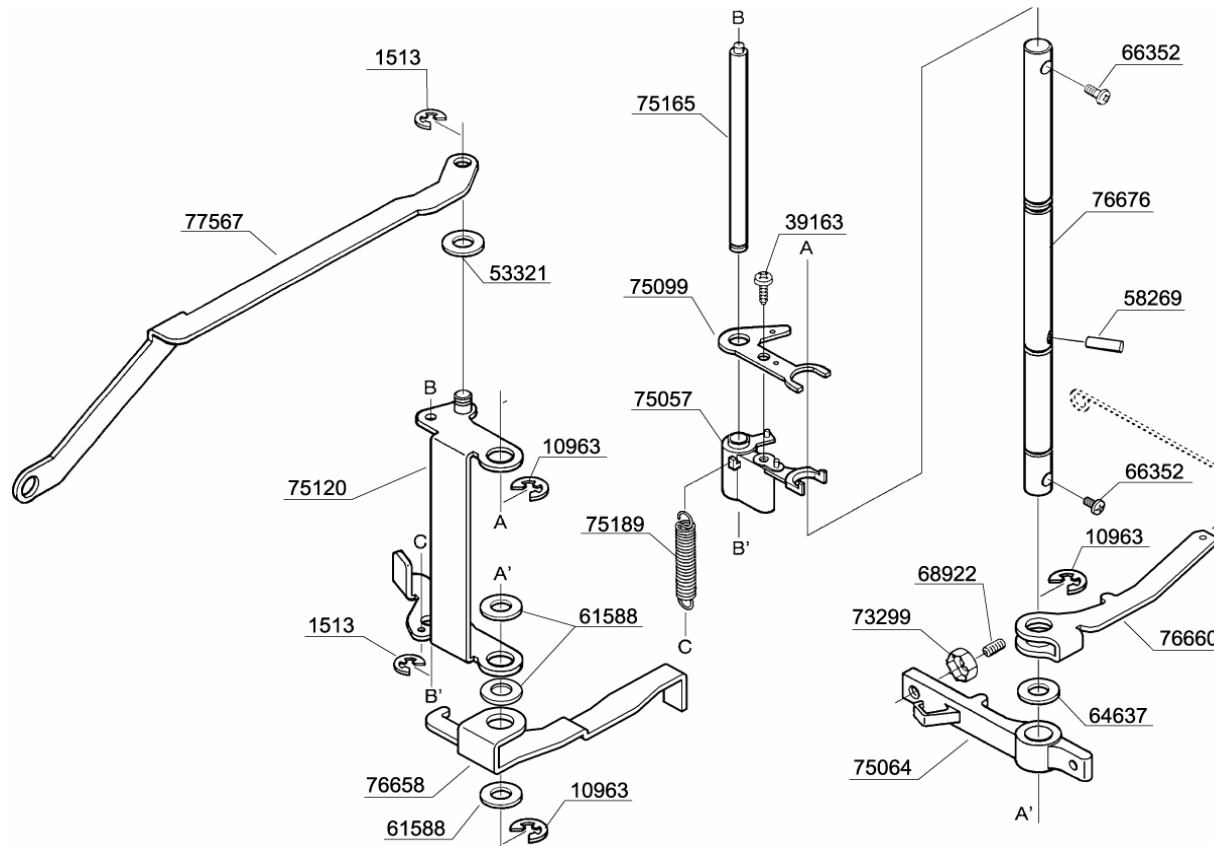
BUYER'S MODEL NO.	140 / 140T	SECTION	PAGE	REVISION	REMARKS
BUYER'S MODEL NAME		-	9		
FACTORY MODEL					
ORIGINAL ISSUE	JULY, 2003	SERIAL NO.			

PART NO.	DESCRIPTION
10963	E6 CLIP-ON-WASHER
24133	SPRING PIN
39615	CLIP-ON-WASHER
43390	THRUST WASHER
58269	SPRING PIN
61224	M4 PHILLIPS SCREW
61588	WASHER
61770	BALL BUSHING
66235	SECURING PLATE
67447	M5 SCREW
73434	M4 PHILLIPS SCREW
75042	STRETCH STITCHING CAM
75043	PATTERN CAM
75044	PATTERN SELECTING CAM
75125	LEAF SPRING
75136	BRACKET
75187	TORSION SPRING
75217	WORM GEAR
76675	SHAFT
77042	M4 PHILLIPS SCREW



BUYER'S MODEL NO.	140 / 140T	SECTION	PAGE	REVISION	REMARKS
BUYER'S MODEL NAME		-	10		
FACTORY MODEL					
ORIGINAL ISSUE	JULY, 2003	SERIAL NO.			

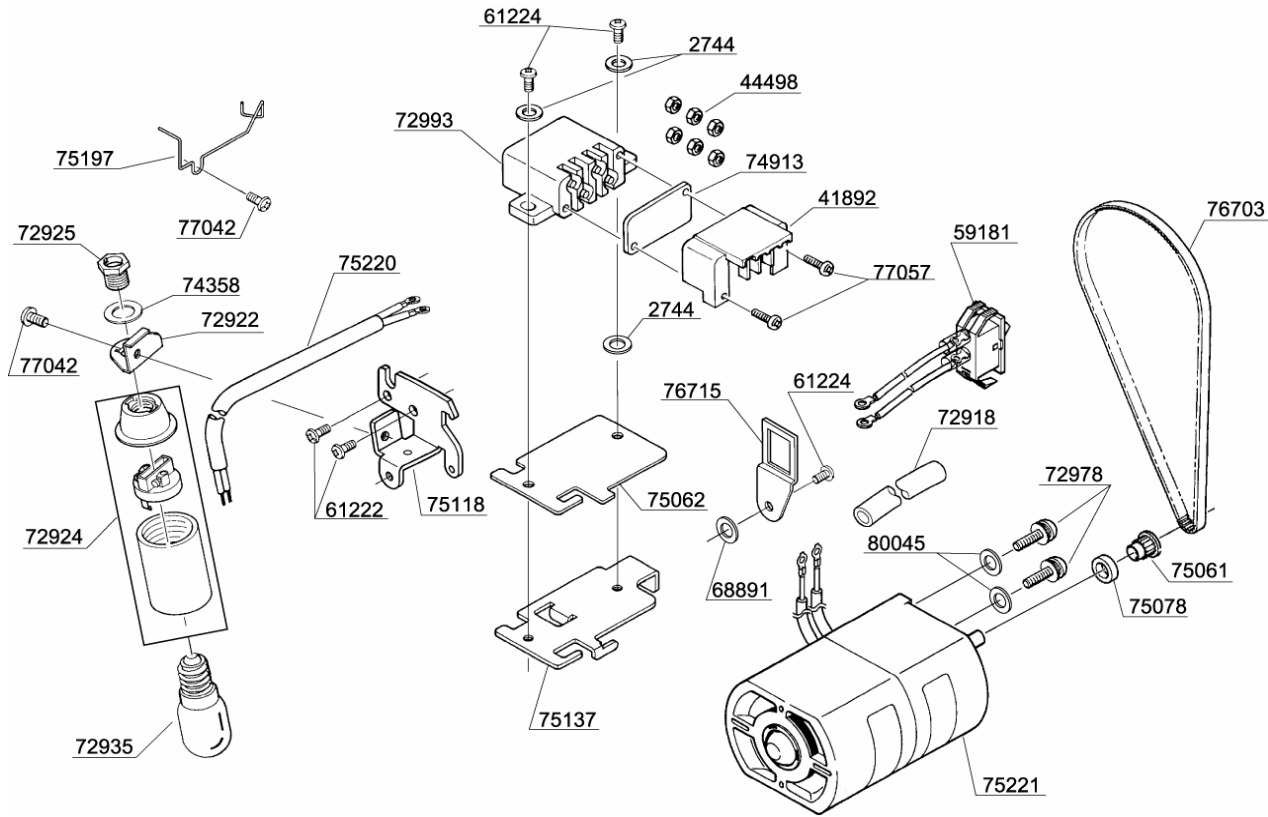
PART NO.	DESCRIPTION
1513	E4 CLIP-ON-WASHER
10963	E6 CLIP-ON-WASHER
39163	TAPPING SCREW
53321	THRUST WASHER
58269	SPRING PIN
61588	THRUST WASHER
64637	THRUST WASHER
66352	M4 PHILLIPS SCREW
68922	M4 SCREW
73299	M4 TORQUE NUT
75057	ZIGZAG GUIDE BLOCK
75064	PATTERN SELECTING CAM CLAW
75099	PATTERN CAM FOLLOWER
75120	CAM FOLLOWER GUIDE BRACKET
75165	SHAFT B
75189	EXTENSION SPRING
76658	STRETCH STITCHING CAM FOLLOWER
76660	BH CAM FOLLOWER
76676	SHAFT A
77567	ZIGZAG GUIDE BAR



BUYER'S MODEL NO.	140 / 140T	SECTION	PAGE	REVISION	REMARKS
BUYER'S MODEL NAME		-	11-1		
FACTORY MODEL					
ORIGINAL ISSUE	JULY, 2003	SERIAL NO.			

PART NO	DESCRIPTION
2744	WASHER
41892	TERMINAL BLOCK COVER
44498	M3 NUT
59181	SWITCH ASSEMBLY
61222	M4 PHILLIPS SCREW
61224	M4 PHILLIPS SCREW
68891	WASHER
72918	VINYL TUBE
72922	LAMP HOLDER BRACKET
72924	LAMP HOLDER ASSEMBLY
72925	CAP BOLT
72935	LIGHT BULB
72978	M4 BOLT WITH WASHER
72993	TERMINAL BLOCK ASSEMBLY
74358	WASHER
74913	TERMINAL BLOCK COVER
75061	MOTOR PULLEY
75062	INSULATING SHEET
75078	MOTOR PULLEY FLANGE
75118	LAMP PLATE BRACKET
75137	TERMINAL BLOCK BRACKET
75197	CORD GUIDE
75220	LAMP CORD
75221	MOTOR (230V)
76703	MOTOR BELT
76715	SWITCH BRACKET
77042	M4 PHILLIPS SCREW
77057	M3 PHILLIPS SCREW
80045	WASHER

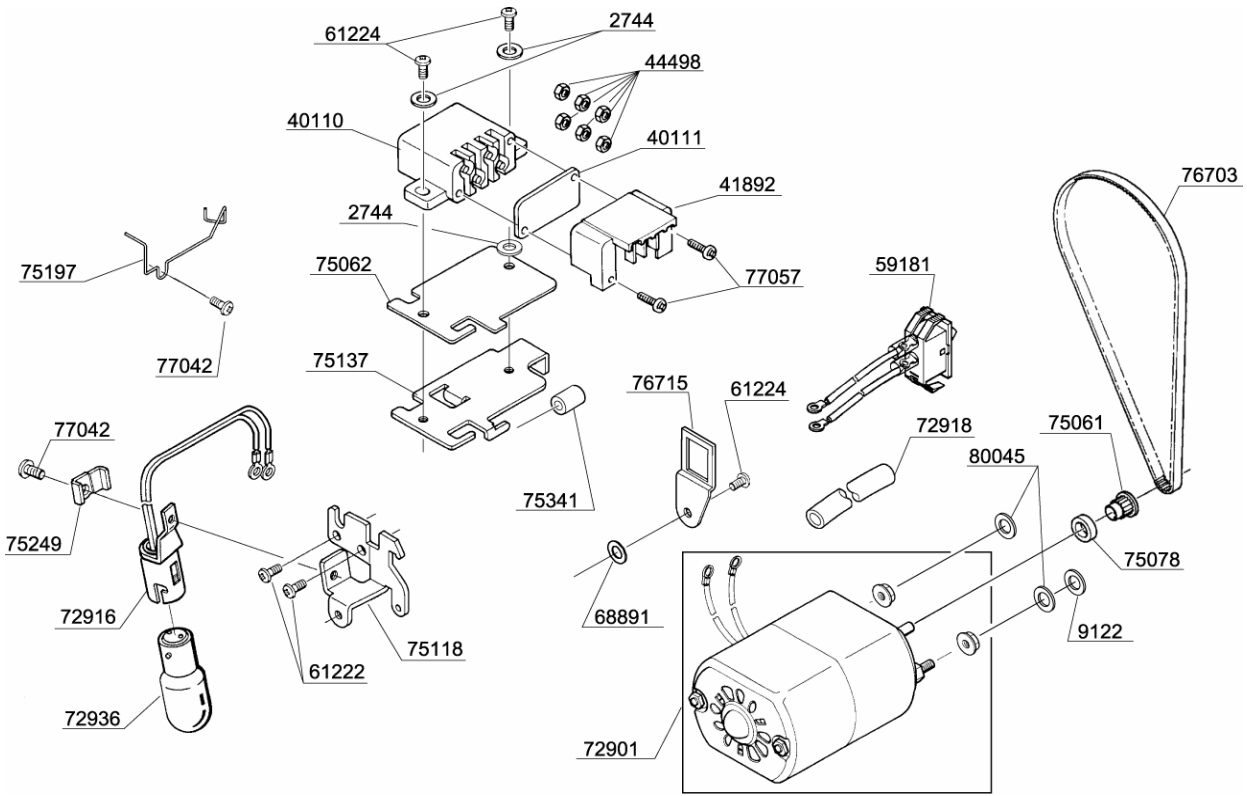
230V



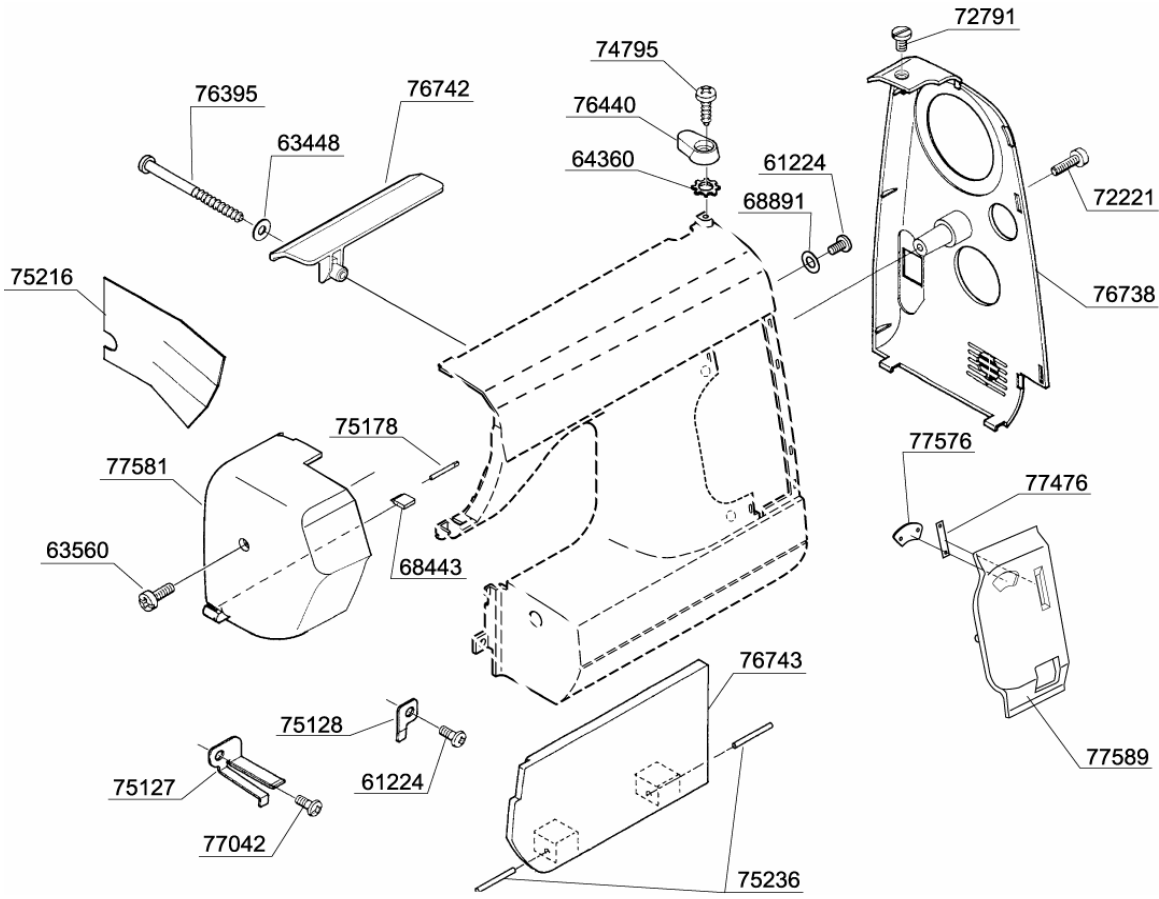
BUYER'S MODEL NO.	140 / 140T	SECTION	PAGE	REVISION	REMARKS
BUYER'S MODEL NAME		-	11-2		
FACTORY MODEL					
ORIGINAL ISSUE	JULY, 2003	SERIAL NO.			

PART NO.	DESCRIPTION
2744	WASHER
9122	WASHER
40110	TERMINAL BLOCK ASSEMBLY
40111	TERMINAL BLOCK COVER
41892	TERMINAL BLOCK COVER
44498	M3 NUT
59181	SWITCH ASSEMBLY
61222	M4 PHILLIPS SCREW
61224	M4 PHILLIPS SCREW
68891	WASHER
72901	MOTOR (120V)
72916	LAMP CORD UNIT
72918	VINYL TUBE
72936	LIGHT BULB
75061	MOTOR PULLEY
75062	INSULATING SHEET
75078	MOTOR PULLEY FLANGE
75118	LAMP PLATE BRACKET
75137	TERMINAL BLOCK BRACKET
75197	CORD GUIDE
75249	HARNESS GUIDE
75341	VINYL TUBE
76703	MOTOR BELT
76715	SWITCH BRACKET
77042	M4 PHILLIPS SCREW
77057	M3 PHILLIPS SCREW
80045	WASHER

120V



BUYER'S MODEL NO.	140 / 140T	SECTION	PAGE	REVISION	REMARKS	PART NO.	DESCRIPTION
BUYER'S MODEL NAME		-	13			61224	M4 PHILLIPS SCREW
FACTORY MODEL						63448	WASHER
ORIGINAL ISSUE	JULY, 2003	SERIAL NO.				63560	M4 PHILLIPS SCREW



PART NO.	DESCRIPTION
61224	M4 PHILLIPS SCREW
63448	WASHER
63560	M4 PHILLIPS SCREW
64360	TOOTHED WASHER
68443	BLADE
68891	WASHER
72221	M4 STUD SCREW
72791	M4 SCREW
74795	TAPPING SCREW
75127	LEAF SPRING
75128	SECURING PLATE
75178	PIN
75216	REFLECTION SHEET
75236	PIN
76395	TAPPING SCREW
76440	PLASTIC COLLAR
76738	SIDE COVER
76742	HANDLE
76743	SHUTTLE RACE COVER
77042	M4 PHILLIPS SCREW
77476	INDICATOR WINDOW (1)
77576	INDICATOR WINDOW (2)
77581	FACE COVER
77589	CONTROL PANEL

