

BUYER'S MODEL NO. 140Q

FACTORY MODEL CA32360, CM323S0

ORIGINAL ISSUE

APRIL , 2003

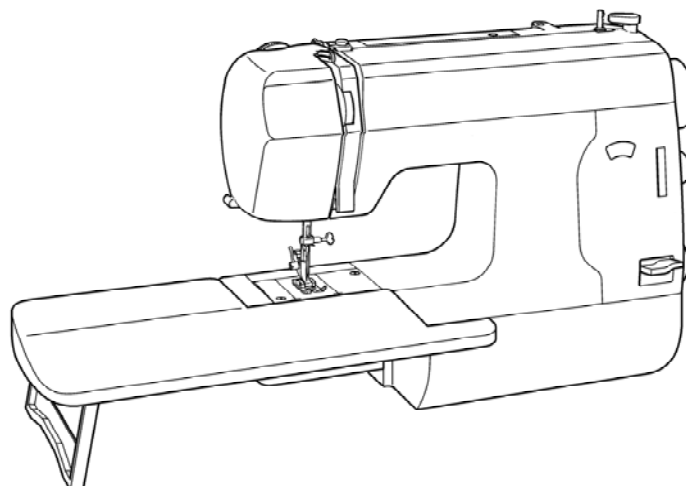
SECTION ----

REVISION

FEBRUARY, 2007

REFER TO IMPORTANT NOTICE BELOW

PARTS LIST FOR Model 140Q

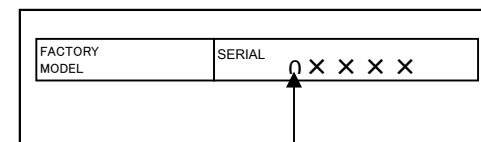


SINGER

IMPORTANT:

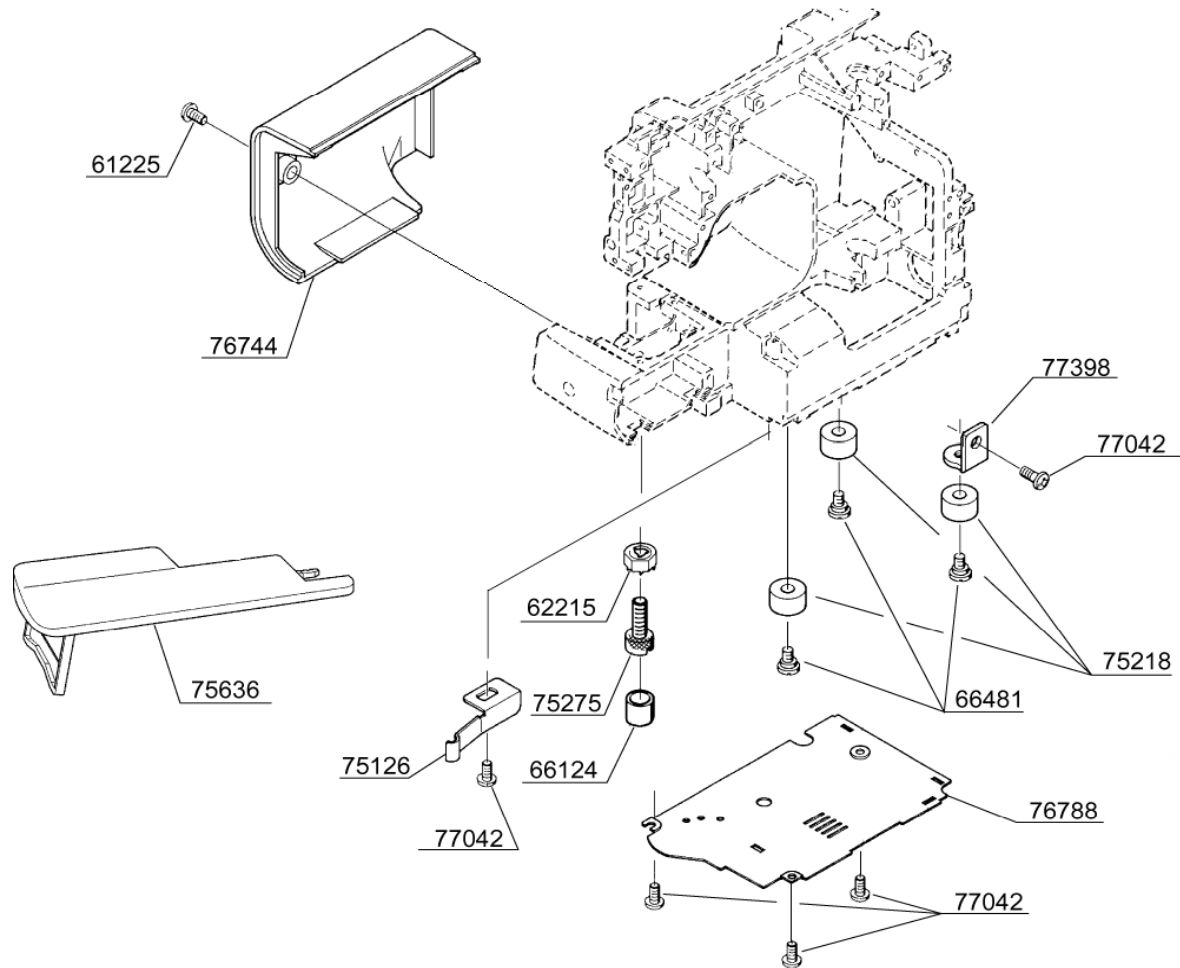
WHEN ORDERING THE PARTS
ALWAYS CHECK THE SERIAL
NUMBER OF THE MACHINE.

FIRST DIGIT OF THE SERIAL
NUMBER MUST MATCH WITH
THE LAST DIGIT OF THE
FACTORY
MODEL ABOVE.



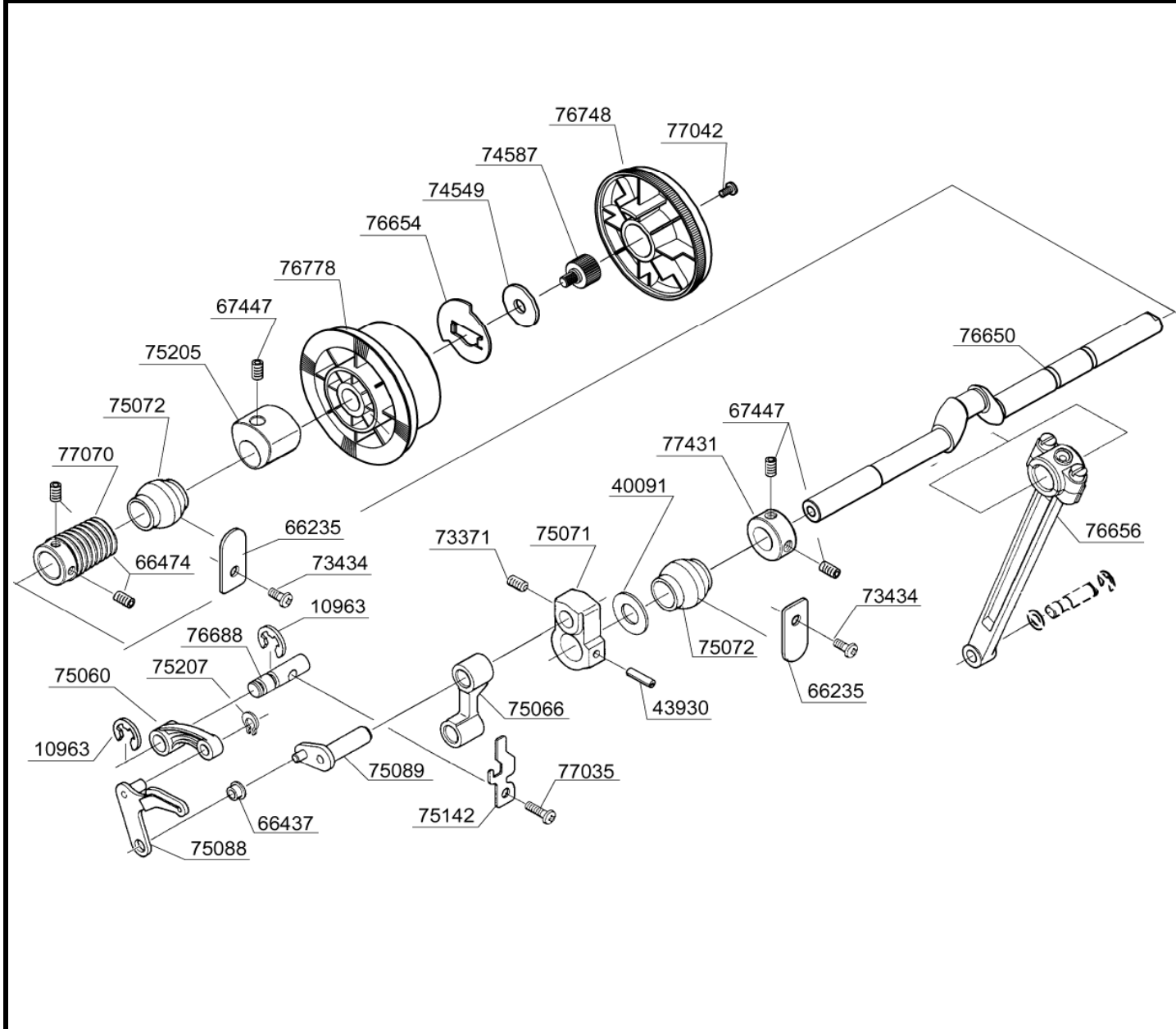
FIRST DIGIT

BUYER'S MODEL NO.	140Q	SECTION	PAGE	REVISION	REMARKS	PART NO.	DESCRIPTION
BUYER'S MODEL NAME		-	1	February, 2007		61225	M4 PHILLIPS SCREW
FACTORY MODEL	CA32360, CM323S0					62215	M4 TORQUE NUT
ORIGINAL ISSUE	APRIL, 2003	SERIAL NO.				66124	RUBBER FOOT



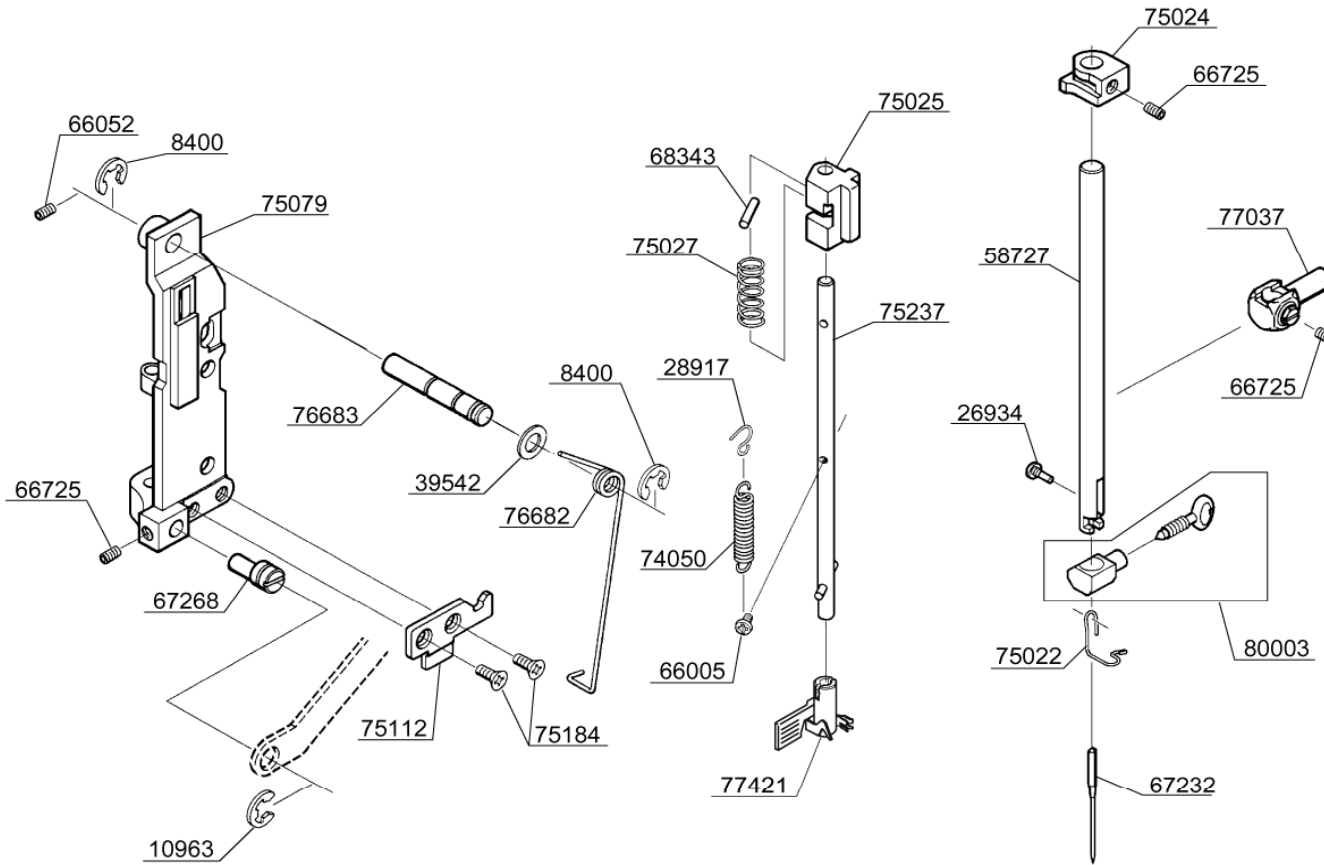
PART NO.	DESCRIPTION
61225	M4 PHILLIPS SCREW
62215	M4 TORQUE NUT
66124	RUBBER FOOT
66481	M4 STUD SCREW
75126	LEAF SPRING
75218	RUBBER CUSHION
75275	M4 STUD SCREW
75636	EXTENSION TABLE
76744	COVER
76788	BED COVER
77042	M4 PHILLIPS SCREW
77398	PLATE

BUYER'S MODEL NO.	140Q	SECTION	PAGE	REVISION	REMARKS	PART NO.	DESCRIPTION
BUYER'S MODEL NAME		-	2	February, 2007		10963	E6 CLIP-ON-WASHER
FACTORY MODEL	CA32360, CM323S0					40091	THRUST WASHER
ORIGINAL ISSUE	APRIL, 2003	SERIAL NO.				43930	SPRING PIN



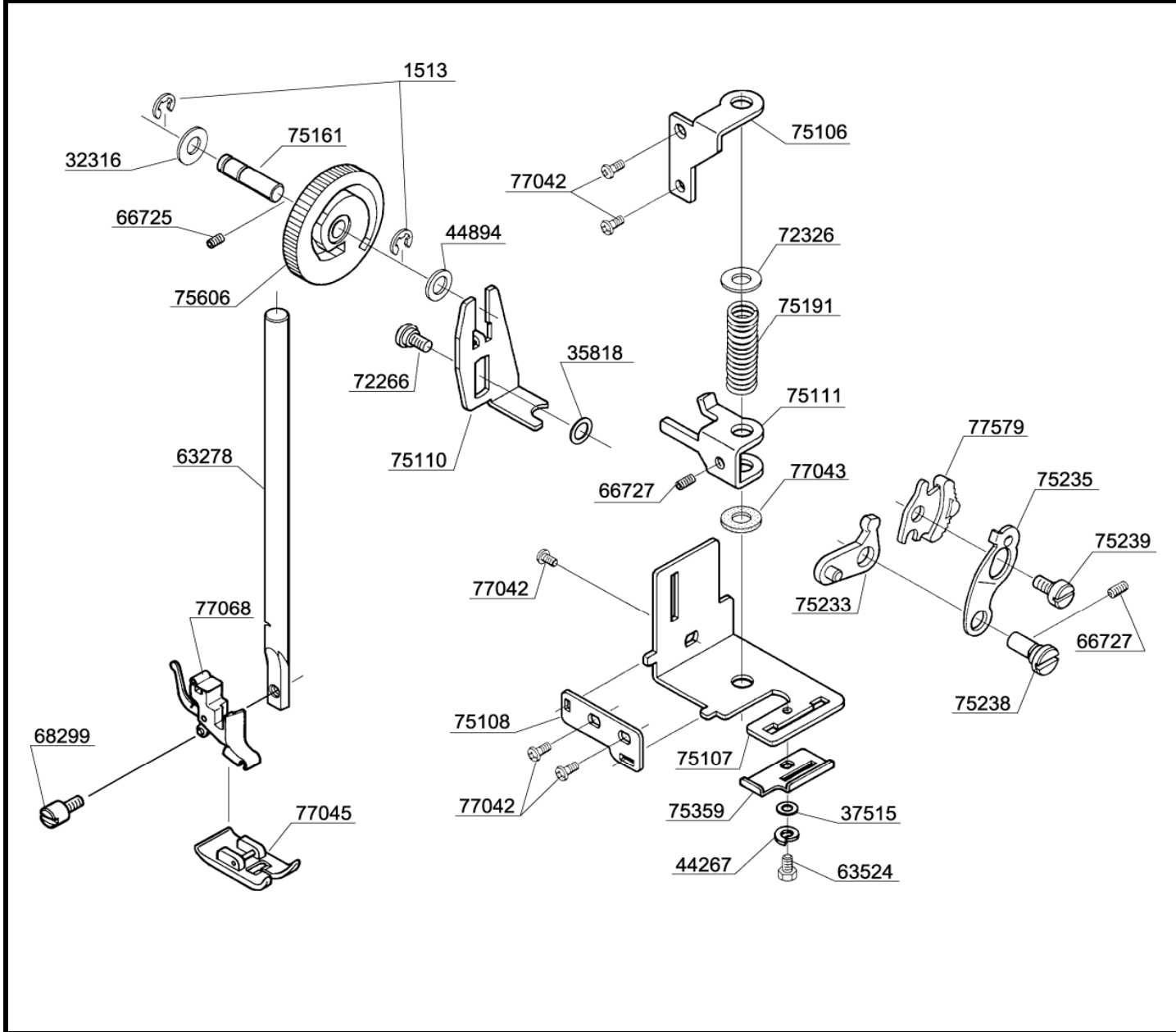
10963	E6 CLIP-ON-WASHER
40091	THRUST WASHER
43930	SPRING PIN
66235	SECURING PLATE
66437	BUSH
66474	M5 SCREW
67447	M5 SCREW
73371	M6 SCREW
73434	M4 PHILLIPS SCREW
74549	WASHER
74587	M6 STUD SCREW
75060	TAKE-UP LEVER CRANK
75066	NEEDLE BAR CRANK
75071	BALANCE CAM
75072	BALL BUSHING
75088	TAKE-UP LEVER
75089	CRANK SHAFT
75142	CORD GUIDE
75205	FEED REGULATING CAM
75207	CS-CLIP
76650	MAIN SHAFT
76654	WASHER
76656	CONNECTING ROD
76688	SHAFT
76748	HAND WHEEL
76778	BELT PULLEY
77035	M4 PHILLIPS SCREW
77042	M4 PHILLIPS SCREW
77070	SPIRAL GEAR
77431	COLLAR

BUYER'S MODEL NO.	140Q	SECTION	PAGE	REVISION	REMARKS	PART NO.	DESCRIPTION
BUYER'S MODEL NAME			3			8400	E5 CLIP-ON-WASHER
FACTORY MODEL	CA32360, CM323S0	-				10963	E6 CLIP-ON-WASHER
ORIGINAL ISSUE	APRIL, 2003	SERIAL NO.				26934	#8 SCREW



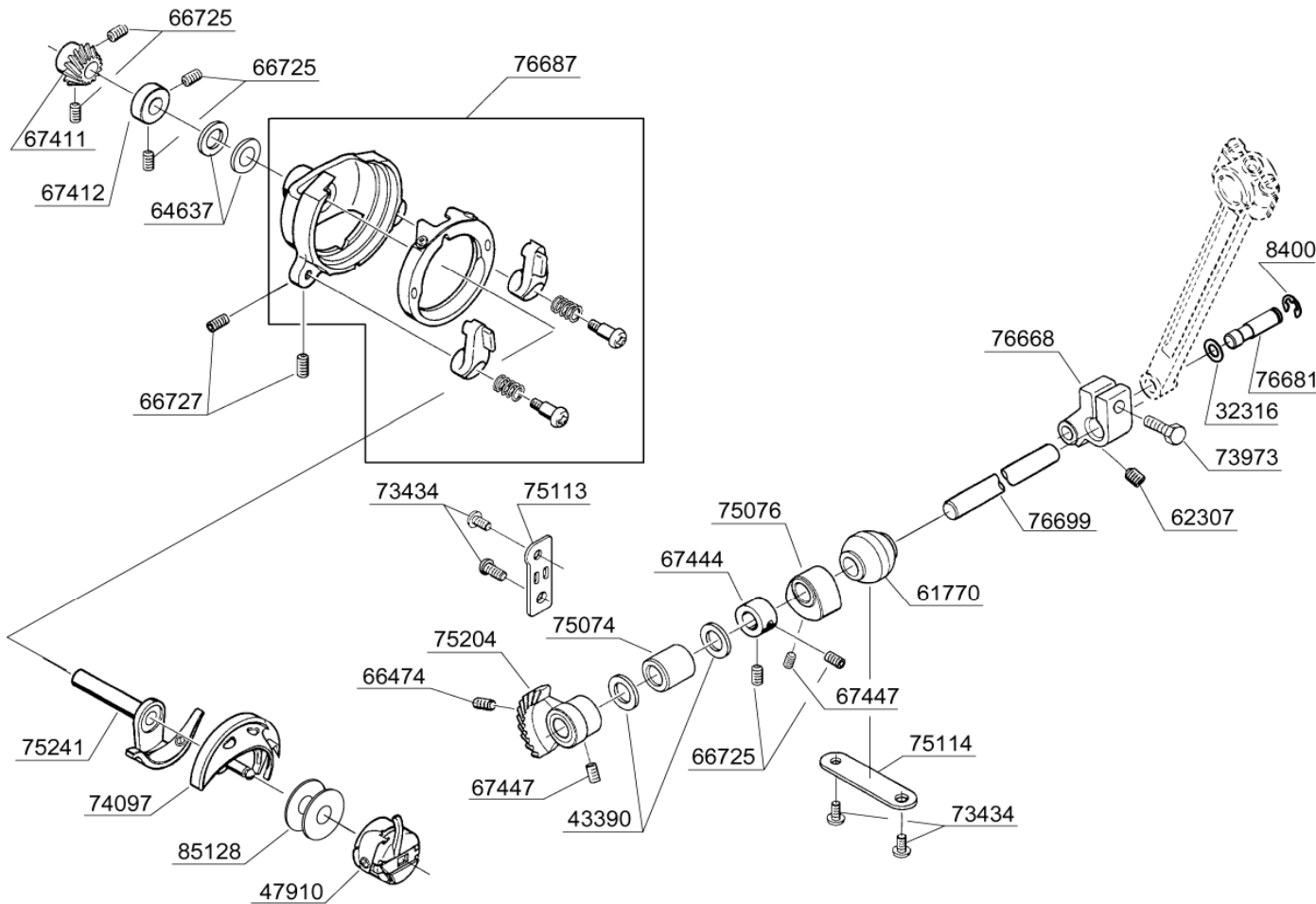
8400	E5 CLIP-ON-WASHER
10963	E6 CLIP-ON-WASHER
26934	#8 SCREW
28917	#8 SCREW
39542	CS-6 CLIP-ON-WASHER
58727	NEEDLE BAR
66005	M2 PHILLIPS SCREW
66052	M4 SCREW
66725	M4 SCREW
67232	NEEDLE
67268	ECCENTRIC PIN
68343	PIN
74050	EXTENSION SPRING
75022	THREAD GUIDE
75024	STOPPER
75025	GUIDE BLOCK
75027	COMPRESSION SPRING
75079	NEEDLE BAR SUPPORT
75112	LATCH PLATE
75184	M4 COUNTERSUNK HEAD SCREW
75237	SHAFT
76682	TORSION SPRING
76683	SHAFT
77037	NEEDLE BAR CLAMP
77421	THREADER ASSEMBLY
80003	NEEDLE CLAMP SET

BUYER'S MODEL NO.	140Q	SECTION	PAGE	REVISION	REMARKS	PART NO.	DESCRIPTION
BUYER'S MODEL NAME		-	4			1513	E4 CLIP-ON-WASHER
FACTORY MODEL	CA32360, CM323S0					32316	WASHER
ORIGINAL ISSUE	APRIL, 2003	SERIAL NO.				35818	WASHER



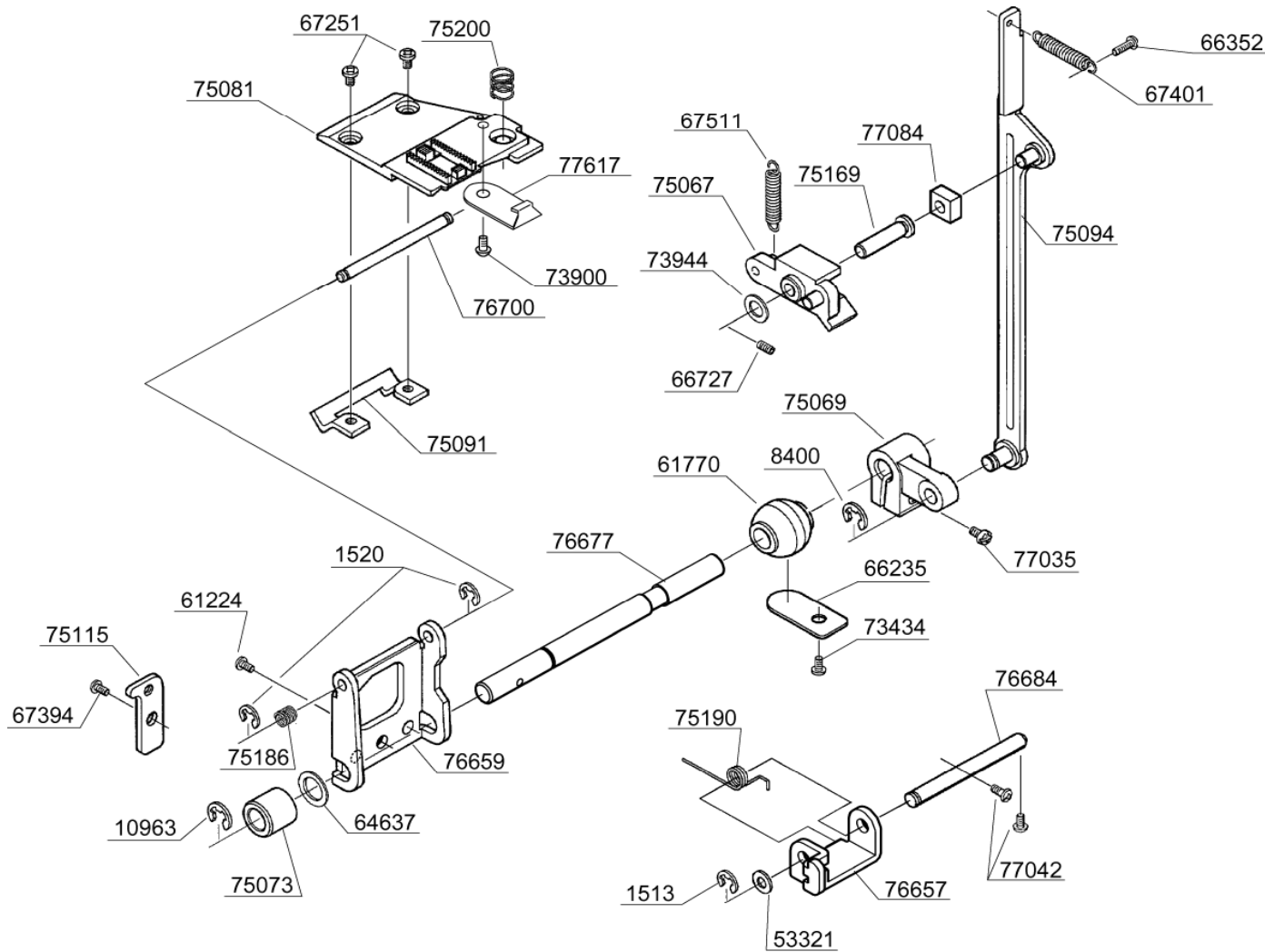
1513	E4 CLIP-ON-WASHER
32316	WASHER
35818	WASHER
37515	WASHER
44267	SPRING WASHER
44894	WASHER
63278	PRESSER BAR
63524	M3 BOLT
66725	M4 SCREW
66727	M4 SCREW
68299	#7 SCREW FOR SHANK
72266	STUD SCREW
72326	WASHER
75106	PRESSER BAR GUIDE
75107	BRACKET A
75108	BRACKET B
75110	GUIDE PLATE
75111	PRESSER BAR GUIDE BLOCK
75161	SHAFT
75191	COMPRESSION SPRING
75233	LOCKER
75235	LEAF SPRING
75238	ECCENTRIC PIN
75239	M4 STUD SCREW
75359	STOPPER
75606	PRESSER CONTROL DIAL
77042	M4 PHILLIPS SCREW
77043	FELT
77045	ZIGZAG PRESSER FOOT
77068	SHANK
77579	STRAIGHT STITCH LOCK LEVER

BUYER'S MODEL NO.	140Q	SECTION	PAGE	REVISION	REMARKS	PART NO.	DESCRIPTION
BUYER'S MODEL NAME		-	5	February, 2007		8400	E5 CLIP-ON-WASHER
FACTORY MODEL	CA32360, CM323S0					32316	WASHER
ORIGINAL ISSUE	APRIL, 2003	SERIAL NO.				43390	THRUST WASHER



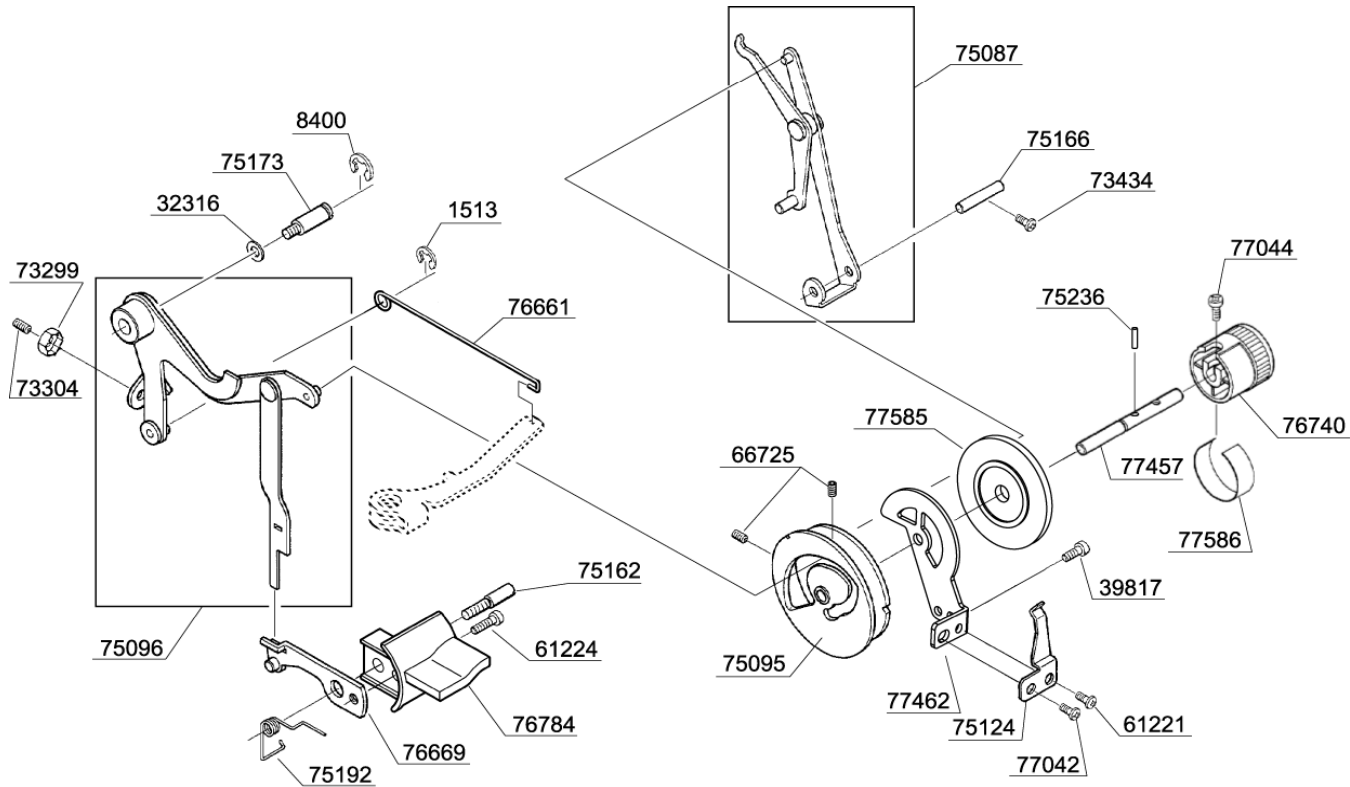
PART NO.	DESCRIPTION
8400	E5 CLIP-ON-WASHER
32316	WASHER
43390	THRUST WASHER
47910	BOBBIN CASE
61770	BALL BUSHING
62307	M4 SCREW
64637	THRUST WASHER
66474	M5 SCREW
66725	M4 SCREW
66727	M4 SCREW
67411	SPIRAL GEAR
67412	COLLAR
67444	COLLAR
67447	M5 SCREW
73434	M4 PHILLIPS SCREW
73973	M4 BOLT
74097	SHUTTLE HOOK
75074	BUSHING
75076	FEED-DOG LIFTING CAM
75113	SECURING PLATE A
75114	SECURING PLATE B
75204	BEVEL GEAR
75241	SHUTTLE DRIVER
76668	LOWER SHAFT ROCKER
76681	HEADED PIN
76687	SHUTTLE RACE ASSEMBLY
76699	LOWER SHAFT
85128	BOBBIN

BUYER'S MODEL NO.	140Q	SECTION	PAGE	REVISION	REMARKS	PART NO.	DESCRIPTION
BUYER'S MODEL NAME			6	February, 2007		1513	E4 CLIP-ON-WASHER
FACTORY MODEL	CA32360, CM323S0	-				1520	E3 CLIP-ON-WASHER
ORIGINAL ISSUE	APRIL, 2003	SERIAL NO.				8400	E5 CLIP-ON-WASHER
						10963	E6 CLIP-ON-WASHER
						53321	THRUST WASHER



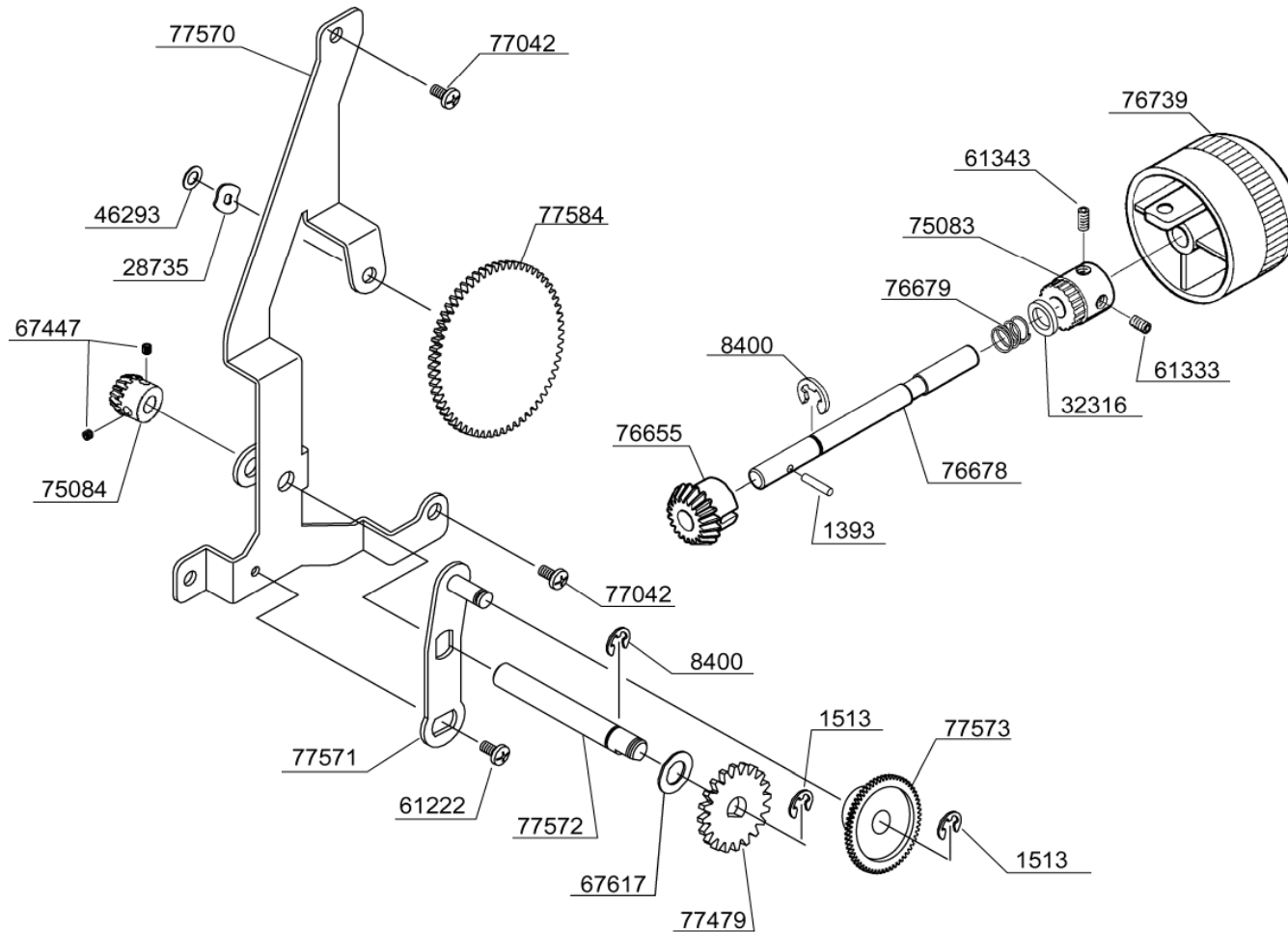
61224	M4 PHILLIPS SCREW
61770	BALL BUSHING
64637	THRUST WASHER
66235	SECURING PLATE
66352	M4 PHILLIPS SCREW
66727	M4 SCREW
67251	M3.5 PHILLIPS SCREW
67394	M5 PHILLIPS SCREW
67401	EXTENSION SPRING
67511	EXTENSION SPRING
73434	M4 PHILLIPS SCREW
73900	M3 PHILLIPS SCREW
73944	THRUST WASHER
75067	FEED REGULATOR
75069	FEED REGULATING SHAFT ROCKER
75073	BUSHING
75081	FEED-DOG
75091	SECURING PLATE
75094	FEED REGULATING ROD
75115	SECURING PLATE C
75169	HEADED PIN
75186	COMPRESSION SPRING
75190	TORSION SPRING
75200	COMPRESSION SPRING
76657	FEED-DOG LIFTING ARM BRACKET
76659	FEED REGULATING BRACKET
76677	FEED REGULATING SHAFT
76684	SHAFT
76700	SHAFT
77035	M4 PHILLIPS SCREW
77042	M4 PHILLIPS SCREW
77084	SLIDE BLOCK
77617	LINK PLATE

BUYER'S MODEL NO.	140Q	SECTION	PAGE	REVISION	REMARKS	PART NO.	DESCRIPTION
BUYER'S MODEL NAME			7			1513	E4 CLIP-ON-WASHER
FACTORY MODEL	CA32360, CM323S0	-				8400	E5 CLIP-ON-WASHER
ORIGINAL ISSUE	APRIL, 2003					32316	WASHER
		SERIAL NO.				39817	M4 PHILLIPS SCREW



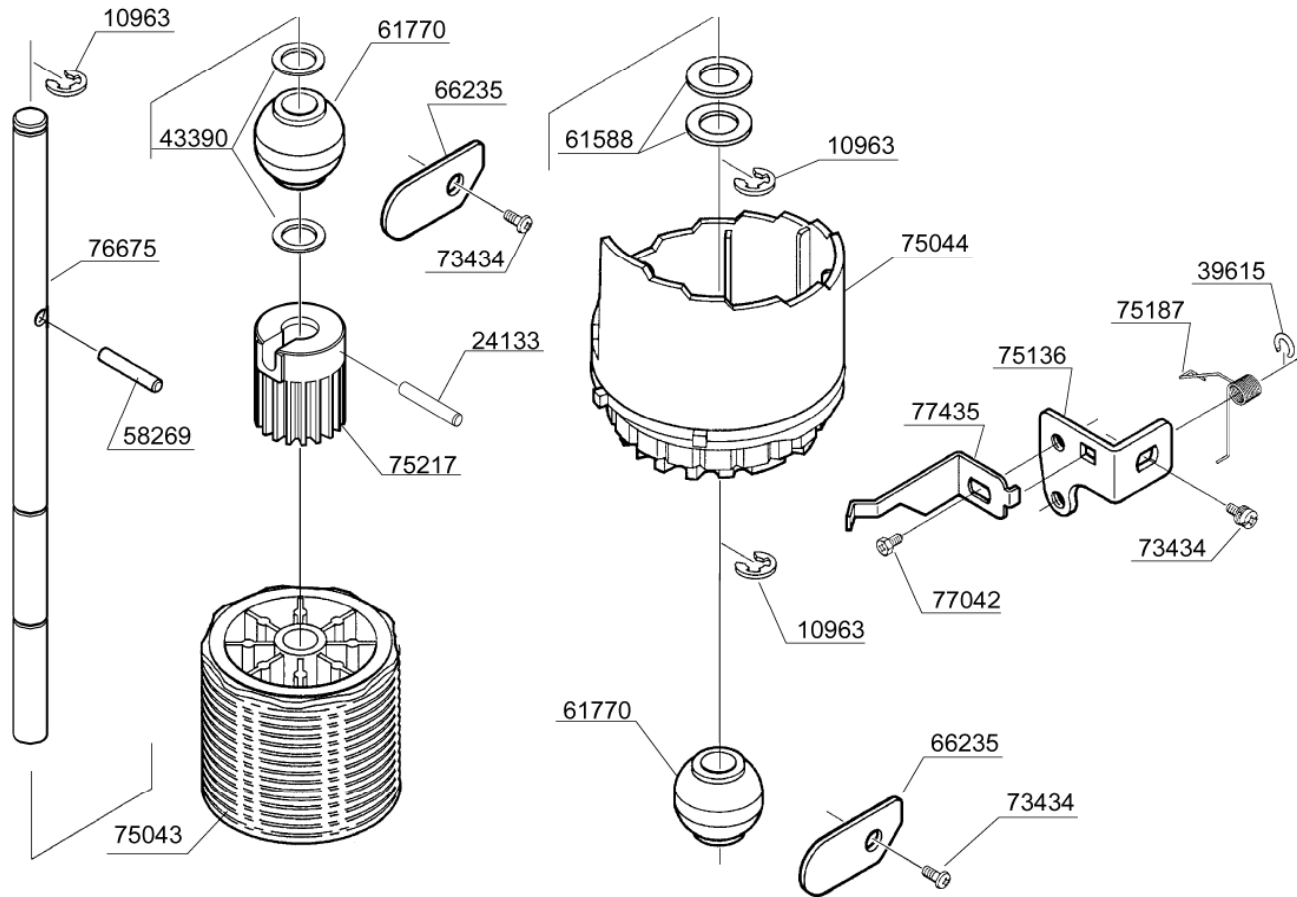
	1513	E4 CLIP-ON-WASHER
	8400	E5 CLIP-ON-WASHER
	32316	WASHER
	39817	M4 PHILLIPS SCREW
	61221	M4 PHILLIPS SCREW
	61224	M4 PHILLIPS SCREW
	66725	M4 SCREW
	73299	M4 TORQUE NUT
	73304	M4 SCREW
	73434	M4 PHILLIPS SCREW
	75087	STRETCH STITCH CONTROL LINK ASSEMBLY
	75095	STITCH LENGTH CONTROL CAM
	75096	FEED CONTROL LINK ASSEMBLY
	75124	LEAF SPRING
	75162	M4 STUD SCREW
	75166	SHAFT
	75173	M4 STUD SCREW
	75192	TORSION SPRING
	75236	PIN
	76661	BH WIRE ROD
	76669	REVERSE STITCH ARM
	76740	STITCH LENGTH CONTROL DIAL
	76784	REVERSE STITCH LEVER
	77042	M4 PHILLIPS SCREW
	77044	M3 PHILLIPS SCREW
	77457	SHAFT
	77462	CONTROL DIAL BRACKET
	77585	DIAL INDICATOR
	77586	SEAL

BUYER'S MODEL NO.	140Q	SECTION	PAGE	REVISION	REMARKS	PART NO.	DESCRIPTION
BUYER'S MODEL NAME			8			1393	SPRING PIN
FACTORY MODEL	CA32360, CM323S0	-				1513	E4 CLIP-ON-WASHER
ORIGINAL ISSUE	APRIL, 2003	SERIAL NO.				8400	E5 CLIP-ON-WASHER



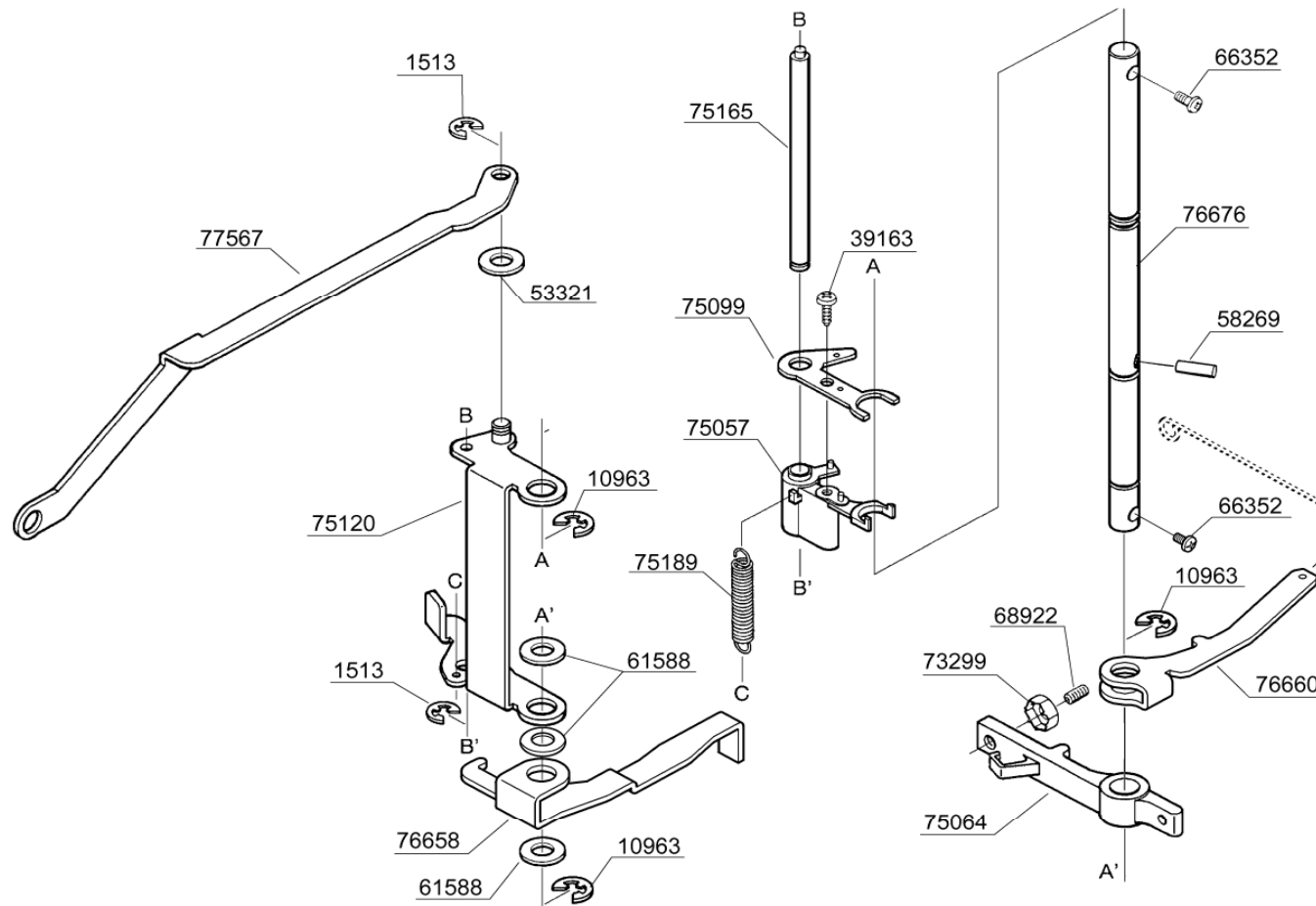
1393	SPRING PIN
1513	E4 CLIP-ON-WASHER
8400	E5 CLIP-ON-WASHER
28735	CRINKLE WASHER
32316	WASHER
46293	CS-5 CLIP-ON-WASHER
61222	M4 PHILLIPS SCREW
61333	M4 SCREW
61343	M4 SCREW
67447	M5 SCREW
75083	GEAR A
75084	BEVEL GEAR
76655	BEVEL GEAR
76678	SHAFT
76679	TORSION SPRING
76739	PATTERN SELECTING DIAL
77042	M4 PHILLIPS SCREW
77479	GEAR (1)
77570	PATTERN INDICATOR BASE PLATE
77571	GEAR BRACKET
77572	COUNTER SHAFT
77573	GEAR (2)
77584	PATTERN DISK

BUYER'S MODEL NO.	140Q	SECTION	PAGE	REVISION	REMARKS	PART NO.	DESCRIPTION
BUYER'S MODEL NAME		-	9	February, 2007		10963	E6 CLIP-ON-WASHER
FACTORY MODEL	CA32360, CM323S0					24133	SPRING PIN
ORIGINAL ISSUE	APRIL, 2003	SERIAL NO.				39615	CLIP-ON-WASHER



PART NO.	DESCRIPTION
10963	E6 CLIP-ON-WASHER
24133	SPRING PIN
39615	CLIP-ON-WASHER
43390	THRUST WASHER
58269	SPRING PIN
61224	M4 PHILLIPS SCREW
61588	WASHER
61770	BALL BUSHING
66235	SECURING PLATE
67447	M5 SCREW
73434	M4 PHILLIPS SCREW
75042	STRETCH STITCHING CAM
75043	PATTERN CAM
75044	PATTERN SELECTING CAM
75136	BRACKET
75187	TORSION SPRING
75217	WORM GEAR
76675	SHAFT
77042	M4 PHILLIPS SCREW
77435	LEAF SPRING

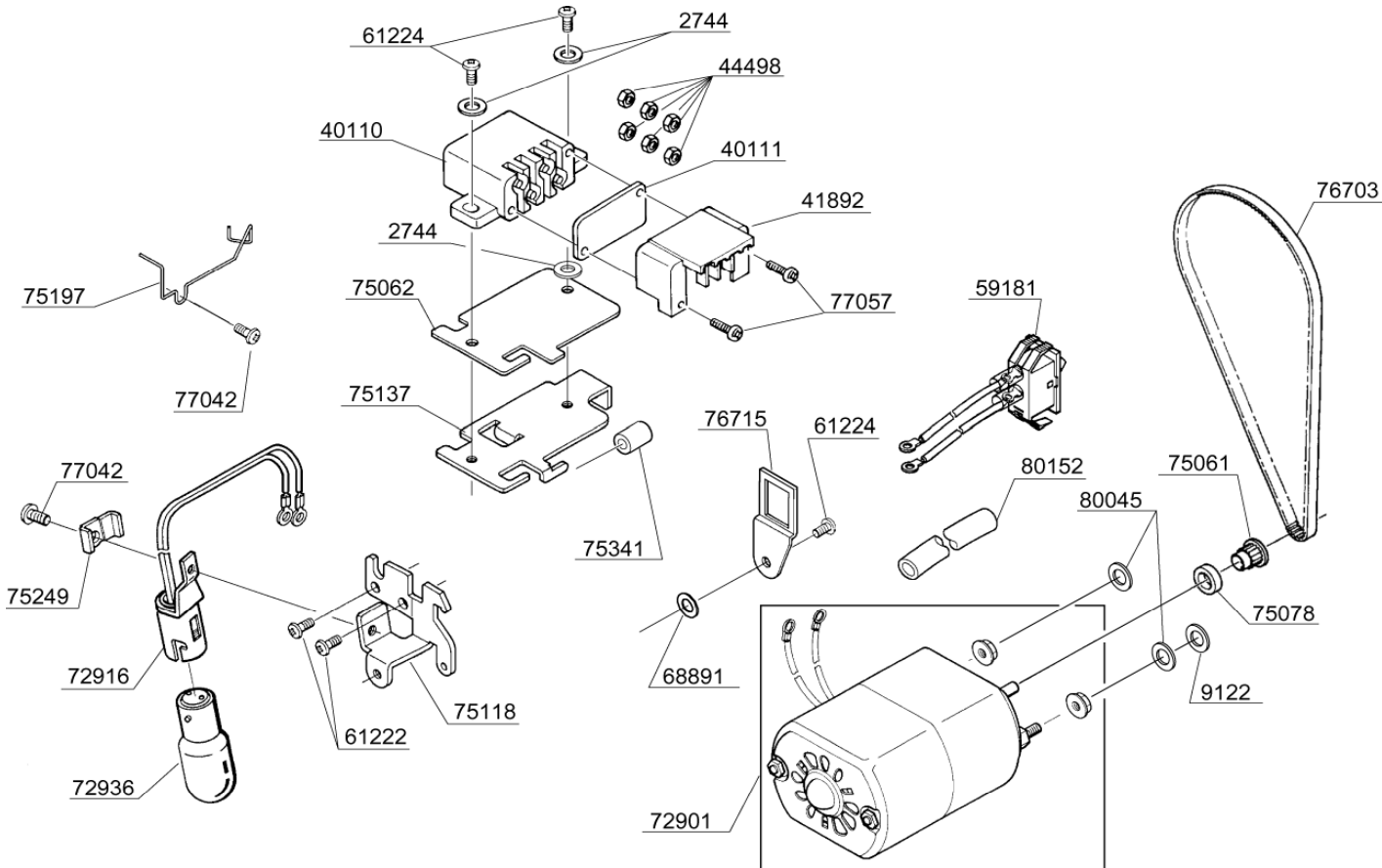
BUYER'S MODEL NO.	140Q	SECTION	PAGE	REVISION	REMARKS	PART NO.	DESCRIPTION
BUYER'S MODEL NAME		-	10	February, 2007		1513	E4 CLIP-ON-WASHER
FACTORY MODEL	CA32360, CM323S0					10963	E6 CLIP-ON-WASHER
ORIGINAL ISSUE	APRIL, 2003	SERIAL NO.				39163	TAPPING SCREW



1513	E4 CLIP-ON-WASHER
10963	E6 CLIP-ON-WASHER
39163	TAPPING SCREW
53321	THRUST WASHER
58269	SPRING PIN
61588	THRUST WASHER
66352	M4 PHILLIPS SCREW
68922	M4 SCREW
73299	M4 TORQUE NUT
75057	ZIGZAG GUIDE BLOCK
75064	PATTERN SELECTING CAM CLAW
75099	PATTERN CAM FOLLOWER
75120	CAM FOLLOWER GUIDE BRACKET
75165	SHAFT B
75189	EXTENSION SPRING
76658	STRETCH STITCHING CAM FOLLOWER
76660	BH CAM FOLLOWER
76676	SHAFT A
77567	ZIGZAG GUIDE BAR

BUYER'S MODEL NO.	140Q	SECTION	PAGE	REVISION	REMARKS	PART NO.	DESCRIPTION
BUYER'S MODEL NAME			11-1	February, 2007		2744	WASHER
FACTORY MODEL	CA32360, CM323S0	-				40110	TERMINAL BLOCK ASSEMBLY
ORIGINAL ISSUE	APRIL, 2003					40111	TERMINAL BLOCK COVER
		SERIAL NO.				41892	TERMINAL BLOCK COVER

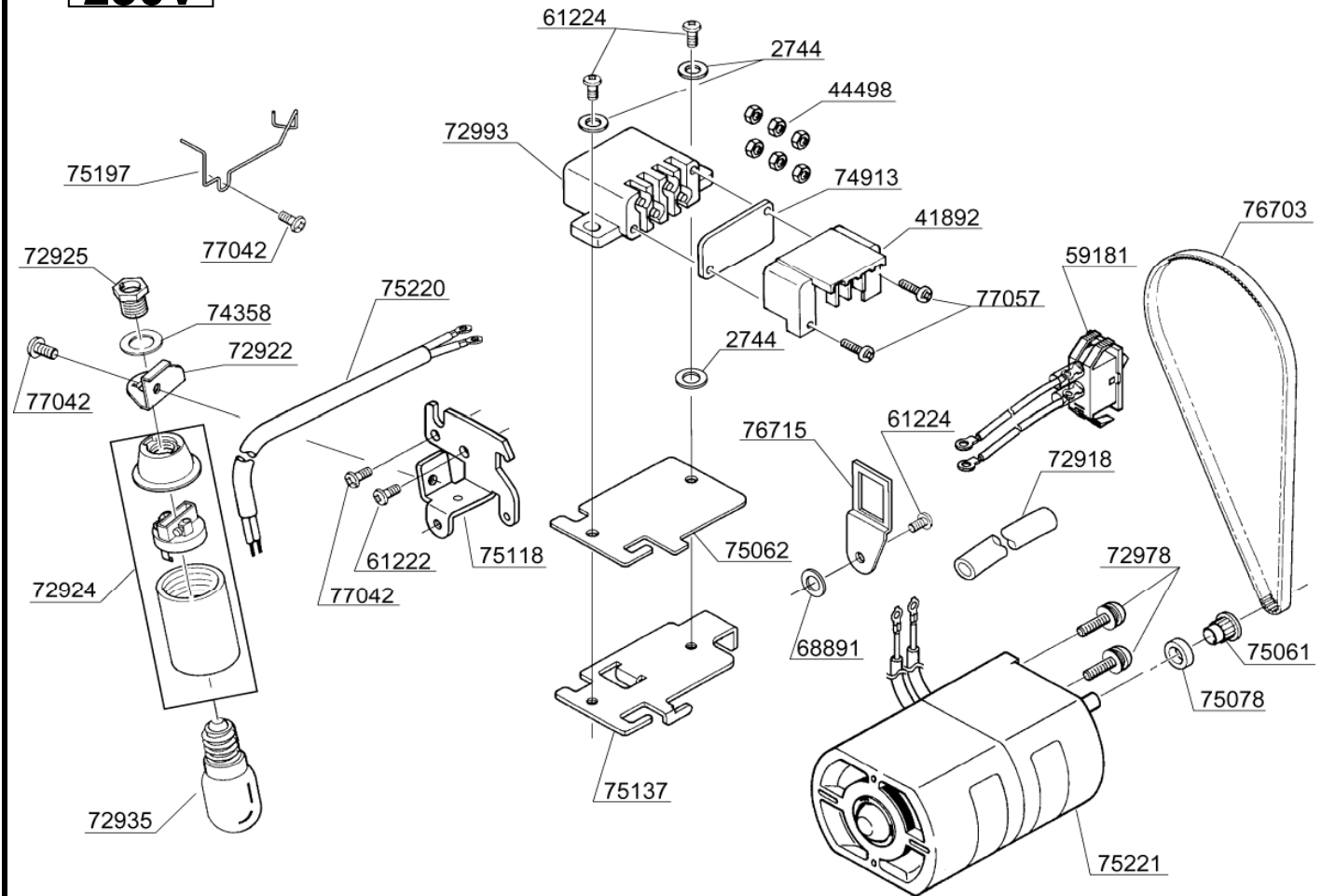
120V



2744	WASHER
40110	TERMINAL BLOCK ASSEMBLY
40111	TERMINAL BLOCK COVER
41892	TERMINAL BLOCK COVER
44498	M3 NUT
59181	SWITCH ASSEMBLY
61222	M4 PHILLIPS SCREW
61224	M4 PHILLIPS SCREW
68891	WASHER
72901	MOTOR
72916	LAMP CORD UNIT
72936	LIGHT BULB
75061	MOTOR PULLEY
75062	INSULATING SHEET
75078	MOTOR PULLEY FLANGE
75118	LAMP PLATE BRACKET
75137	TERMINAL BLOCK BRACKET
75197	CORD GUIDE
75249	HARNESS GUIDE
75341	VINYL TUBE
76703	MOTOR BELT
76715	SWITCH BRACKET
77042	M4 PHILLIPS SCREW
77057	M3 PHILLIPS SCREW
80152	VINYL TUBE

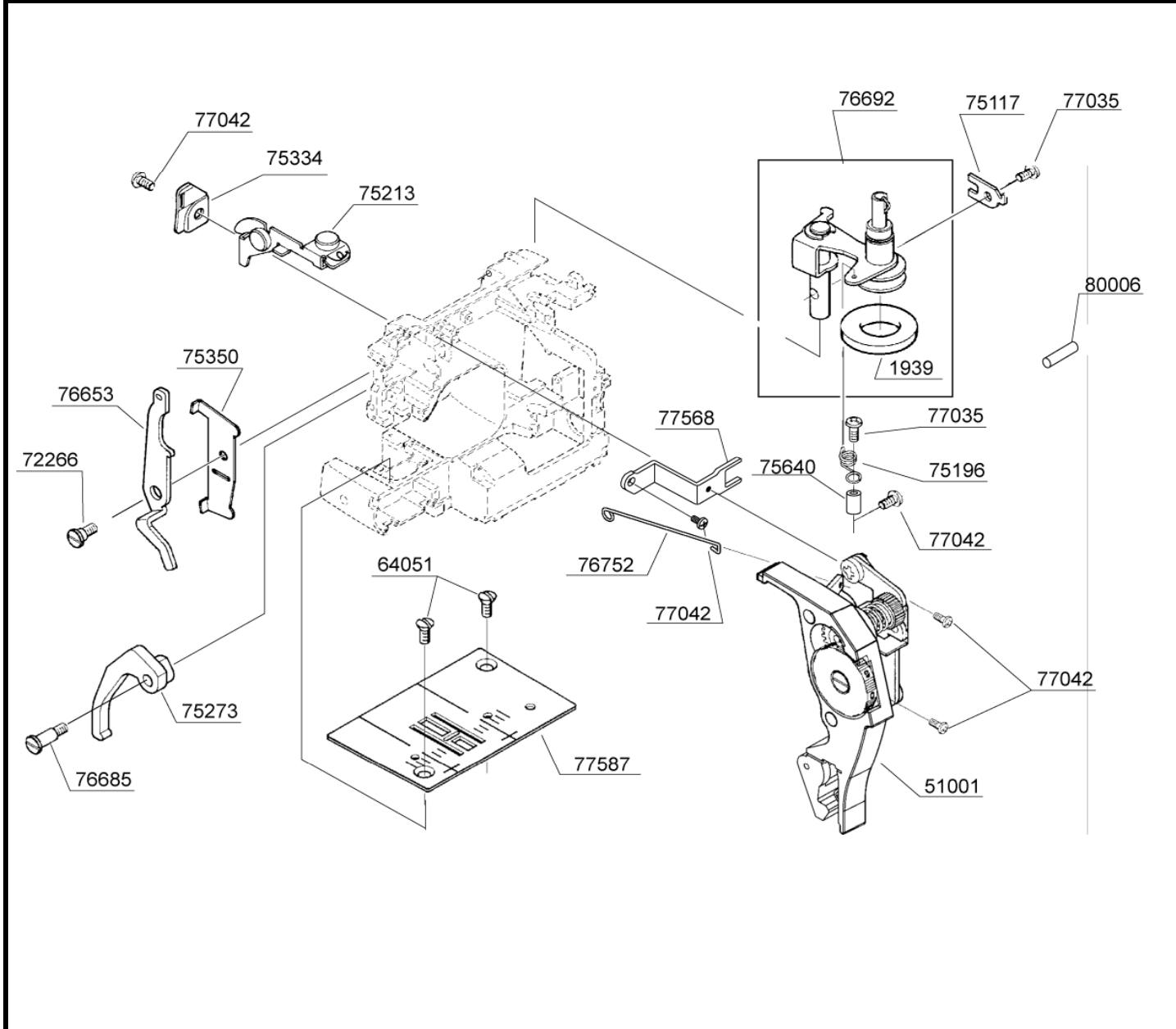
BUYER'S MODEL NO.	140Q	SECTION	PAGE	REVISION	REMARKS
BUYER'S MODEL NAME				February, 2007	
FACTORY MODEL	CA32360, CM323S0	-	11-2		
ORIGINAL ISSUE	APRIL, 2003		SERIAL NO.		

230V



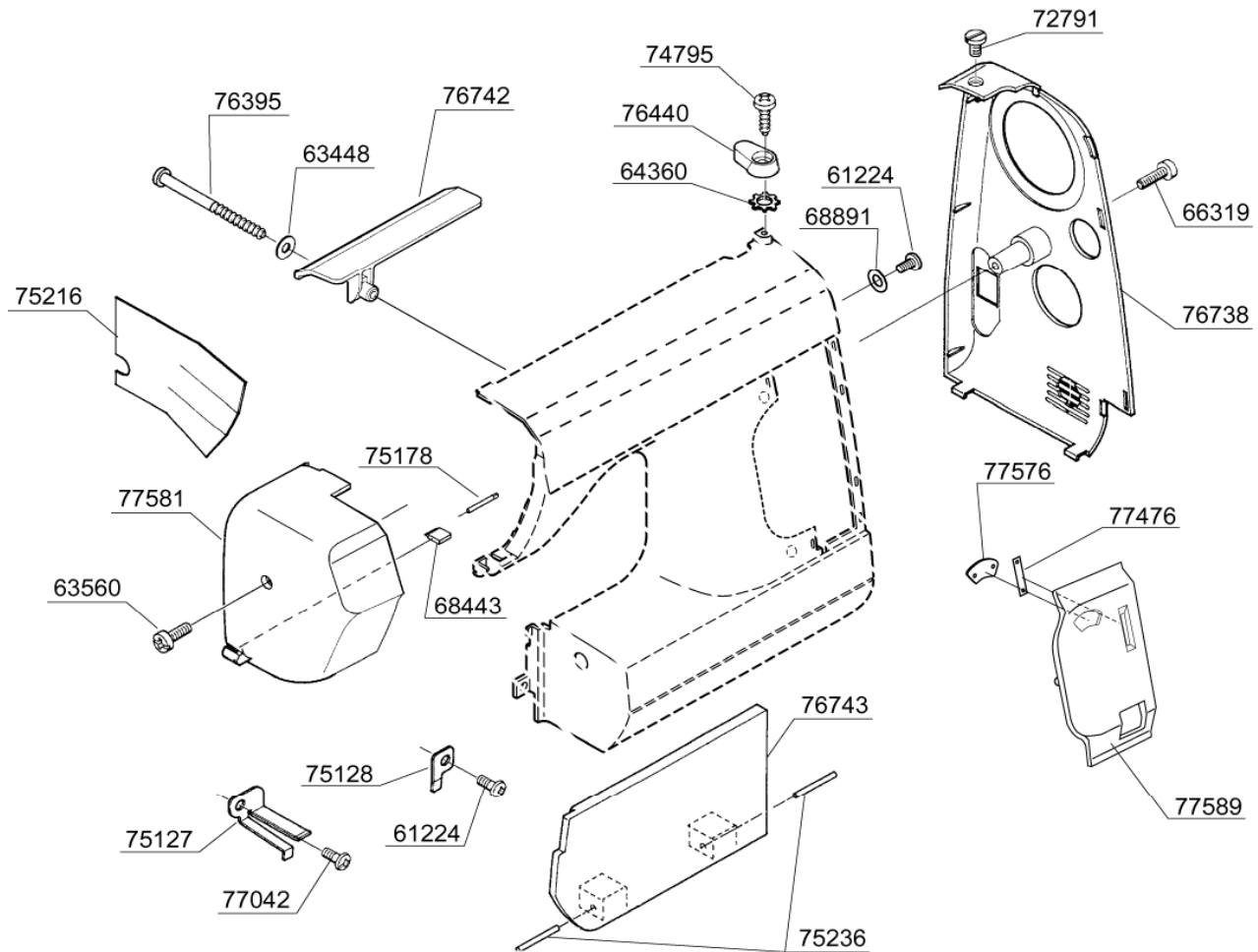
PART NO	DESCRIPTION
2744	WASHER
41892	TERMINAL BLOCK COVER
44498	M3 NUT
59181	SWITCH ASSEMBLY
61222	M4 PHILLIPS SCREW
61224	M4 PHILLIPS SCREW
68891	WASHER
72918	VINYL TUBE
72922	LAMP HOLDER BRACKET
72924	LAMP HOLDER ASSEMBLY
72925	CAP BOLT
72935	LIGHT BULB
72978	M4 BOLT WHITE WASHER
72993	TERMINAL BLOCK ASSEMBLY
74358	WASHER
74913	TERMINAL BLOCK COVER
75061	MOTOR PULLEY
75062	INSULATING SHEET
75078	MOTOR PULLEY FLANGE
75118	LAMP PLATE BRACKET
75137	TERMINAL BLOCK BRACKET
75197	CORD GUIDE
75220	LAMP CORD
75221	MOTOR (230V)
76703	MOTOR BELT
76715	SWITCH BRACKET
77042	M4 PHILLIPS SCREW
77057	M3 PHILLIPS SCREW

BUYER'S MODEL NO.	140Q	SECTION	PAGE	REVISION	REMARKS	PART NO.	DESCRIPTION
BUYER'S MODEL NAME		-	12	February, 2007		51001	THREAD GUIDE PLATE UNIT
FACTORY MODEL	CA32360, CM323S0					64051	M4 SCREW
ORIGINAL ISSUE	APRIL, 2003	SERIAL NO.				72266	M4 STUD SCREW



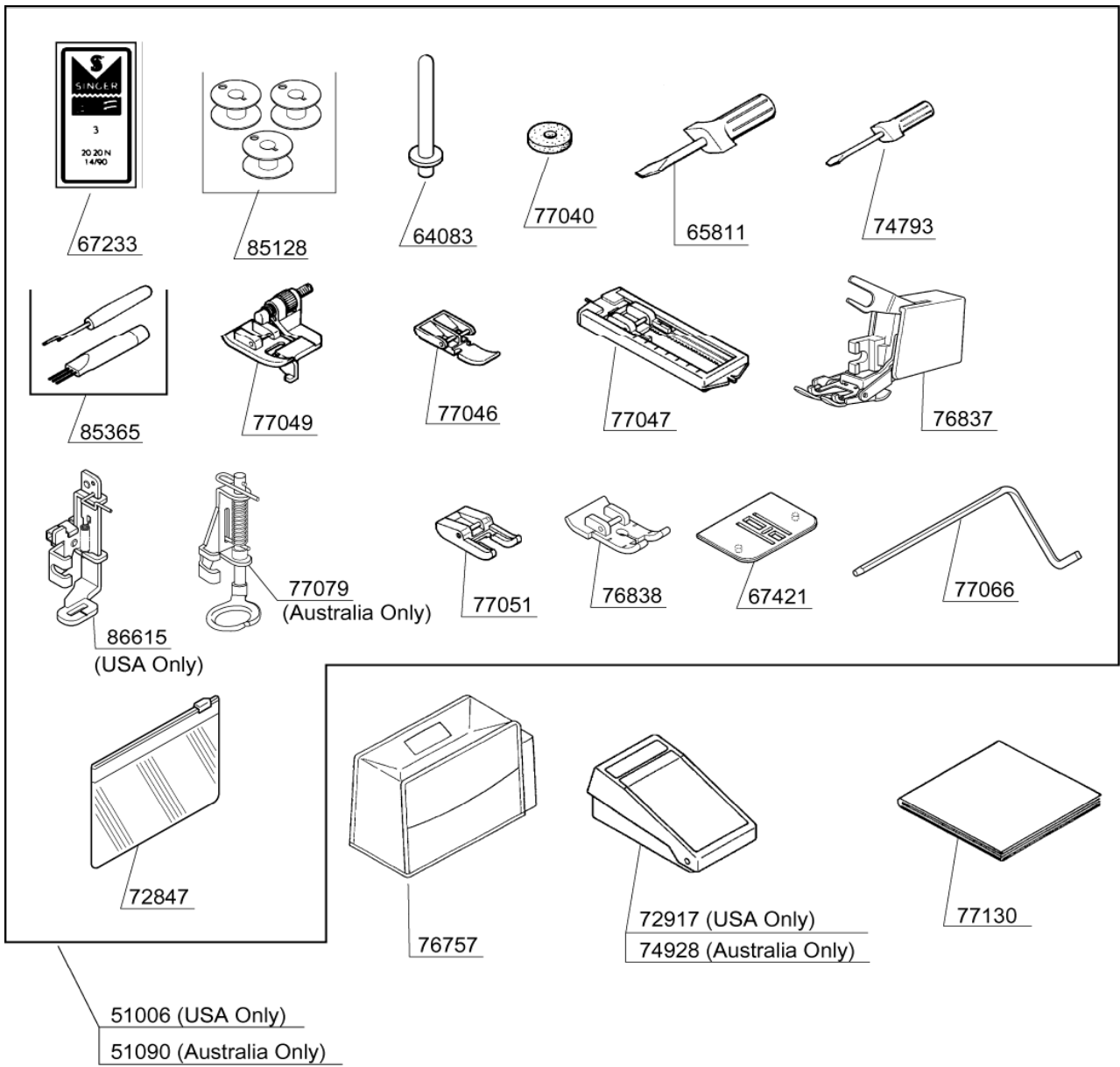
51001	THREAD GUIDE PLATE UNIT
64051	M4 SCREW
72266	M4 STUD SCREW
75117	PLATE
75196	TORSION SPRING
75213	THREAD GUIDE PLATE
75273	PRESSER FOOT LIFTER
75334	THREAD GUIDE PLATE
75350	STOPPER
75640	VINYL TUBE
76653	TENSION RELEASE LEVER
76685	M4 STUD SCREW
76692	BOBBIN WINDER COMPLETE
76752	TENSION RELEASE BAR
77035	M4 SCREW
77042	M4 PHILLIPS SCREW
77568	THREAD GUIDE PLATE UNIT BRACKET
77587	NEEDLE PLATE
80006	SPRING PIN

BUYER'S MODEL NO.	140Q	SECTION	PAGE	REVISION	REMARKS	PART NO.	DESCRIPTION
BUYER'S MODEL NAME		-	13	February, 2007		46293	CS-5 CLIP-ON-WASHER
FACTORY MODEL	CA32360, CM323S0					61224	M4 PHILLIPS SCREW
ORIGINAL ISSUE	APRIL, 2003	SERIAL NO.				63448	WASHER



PART NO.	DESCRIPTION
46293	CS-5 CLIP-ON-WASHER
61224	M4 PHILLIPS SCREW
63448	WASHER
63560	M4 PHILLIPS SCREW
64360	TOOTHED WASHER
66319	M4 STUD SCREW
68443	BLADE
68891	WASHER
72791	M4 SCREW
74795	TAPPING SCREW
75127	LEAF SPRING
75128	SECURING PLATE
75178	PIN
75216	REFLECTION SHEET
75236	PIN
76395	TAPPING SCREW
76440	PLASTIC COLLAR
76738	SIDE COVER
76742	HANDLE
76743	SHUTTLE RACE COVER
77042	M4 PHILLIPS SCREW
77476	INDICATOR WINDOW (1)
77576	INDICATOR WINDOW (2)
77581	FACE COVER
77583	CONTROL PANEL

BUYER'S MODEL NO.	140Q	SECTION	PAGE	REVISION	REMARKS	PART NO.	DESCRIPTION
BUYER'S MODEL NAME		-	14	February, 2007		51006	ACCESSORY SET (USA Only)
FACTORY MODEL	CA32360, CM323S0					51090	ACCESSORY SET (Australia Only)
ORIGINAL ISSUE	APRIL, 2003	SERIAL NO.				64083	SPOOL PIN



51006	ACCESSORY SET (USA Only)
51090	ACCESSORY SET (Australia Only)
64083	SPOOL PIN
65811	LARGE SCREW DRIVER
67233	NEEDLE SET
67421	DARNING PLATE
72847	ACCESSORY VINYL BAG
72917	FOOT CONTROL (USA Only)
74793	SMALL SCREW DRIVER
74928	FOOT CONTROL (Australia Only)
76757	DUST COVER
76837	EVEN FEED FOOT
76838	PATCHWORK FOOT
77040	SPOOL PIN DISC
77046	ZIPPER FOOT
77047	BUTTONHOLE FOOT
77049	BLIND STITCH FOOT
77051	SATIN STITCH FOOT
77066	QUILTING GUIDE
77079	DARNING/EMBROIDERY FOOT
77130	INSTRUCTION BOOK
85128	BOBBIN
85365	BUTTONHOLE OPENER / BRUSH
86615	DARNING/EMBROIDERY FOOT