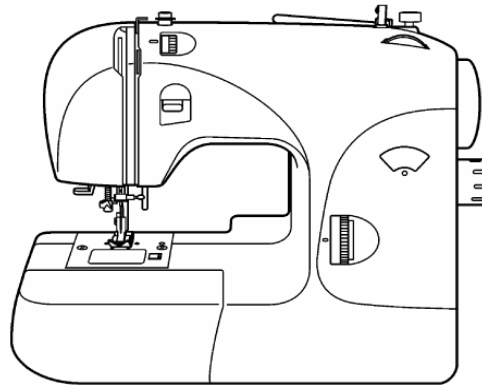


REFER TO IMPORTANT NOTICE BELOW

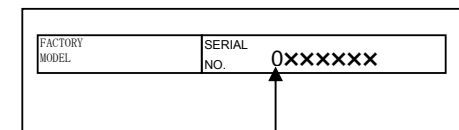
**PARTS LIST
FOR
Model 118**



IMPORTANT:

WHEN ORDERING THE PARTS
ALWAYS CHECK THE SERIAL
NUMBER OF THE MACHINE.

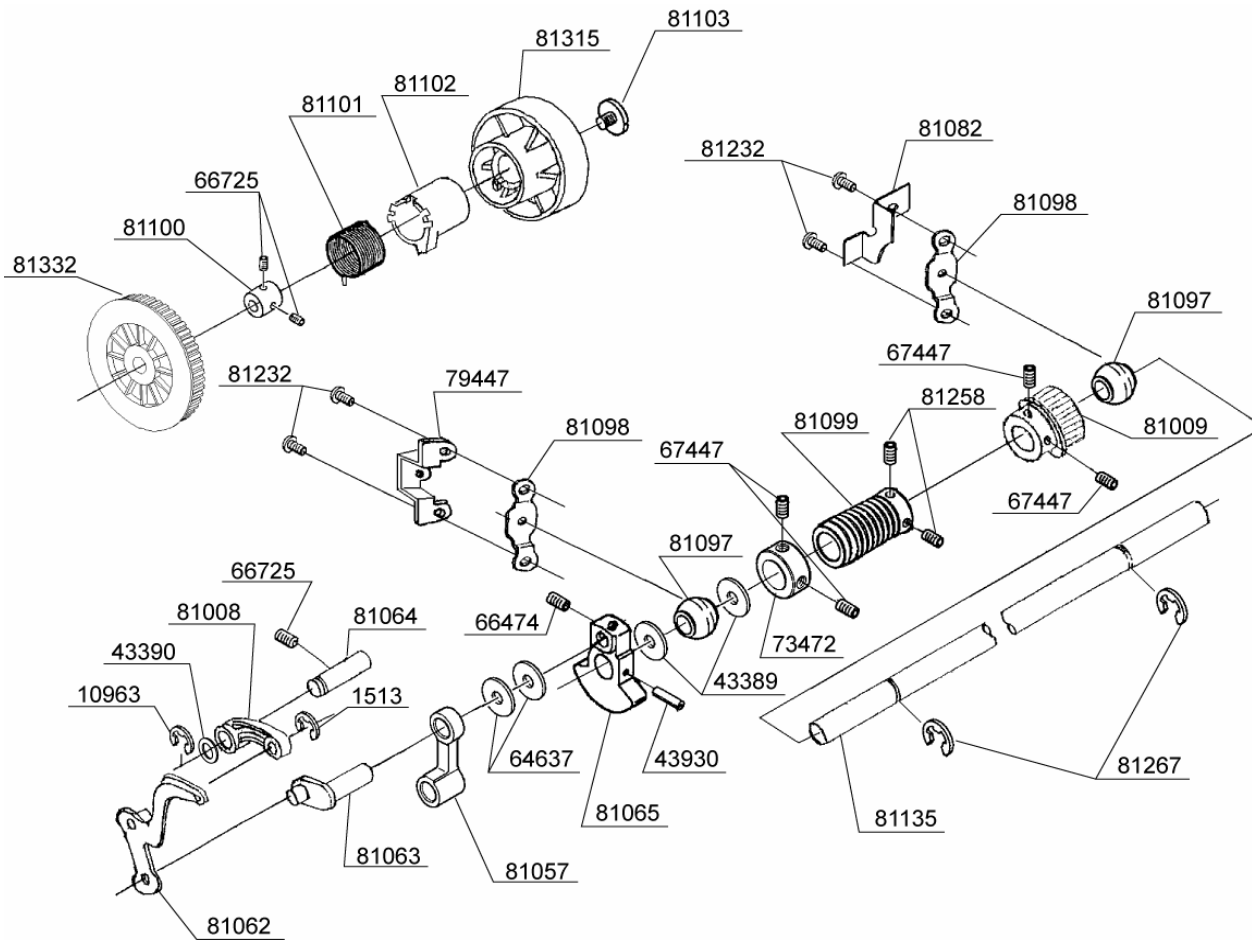
FIRST DIGIT OF THE SERIAL
NUMBER MUST MATCH WITH
THE LAST DIGIT OF THE
FACTOR
MODEL ABOVE.



FIRST DIGIT

SINGER®
AT HOME WORLDWIDE

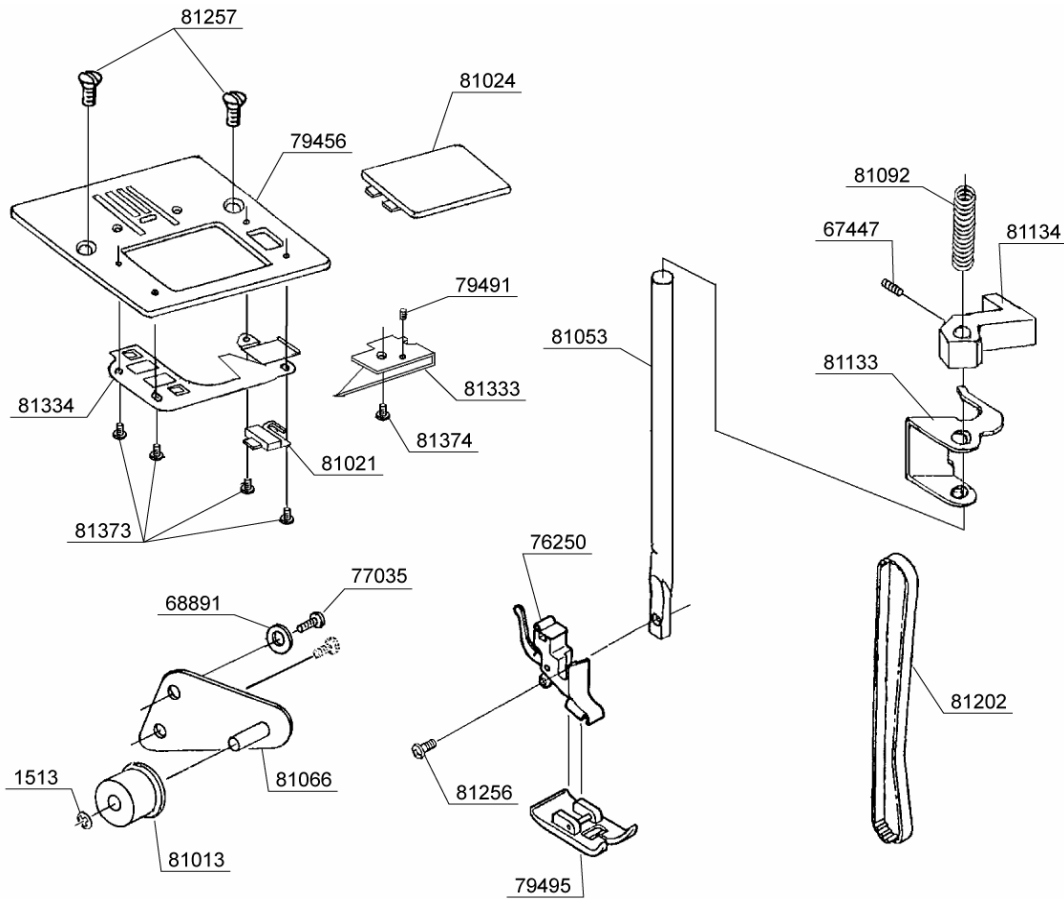
BUYER'S MODEL NO.	118	SECTION	PAGE	REVISION	REMARKS	PART NO.	DESCRIPTION
BUYER'S MODEL NAME			2			1513	E4 CLIP-ON-WASHER
FACTORY MODEL	CA11860,CE118S0					10963	E6 CLIP-ON-WASHER
ORIGINAL ISSUE	March, 2004	SERIAL NO.				43389	WASHER



PART NO.	DESCRIPTION
1513	E4 CLIP-ON-WASHER
10963	E6 CLIP-ON-WASHER
43389	WASHER
43390	WASHER
43930	SPRING PIN
64637	WASHER
66474	M5 SCREW
66725	M3 SCREW
67447	M5 SCREW
73472	COLLAR
79447	REAR COVER FIXING PLATE
81008	TAKE-UP LEVER CRANK
81009	BELT PULLEY
81057	NEEDLE BAR CRANK
81062	TAKE-UP LEVER
81063	CRANK SHAFT
81064	SHAFT
81065	BLANCER
81082	BELT GUIDE PLATE
81097	BALL BUSHING
81098	SECURING PLATE
81099	SPRING GEAR
81100	COLLAR
81101	TORSION SPRING
81102	CLUTCH
81103	HAND WHEEL SCREW
81135	MAIN SHAFT
81232	SCREW
81258	SCREW
81267	E9 CLIP-ON-WASHER
81315	HAND WHEEL
81332	BELT PULLEY

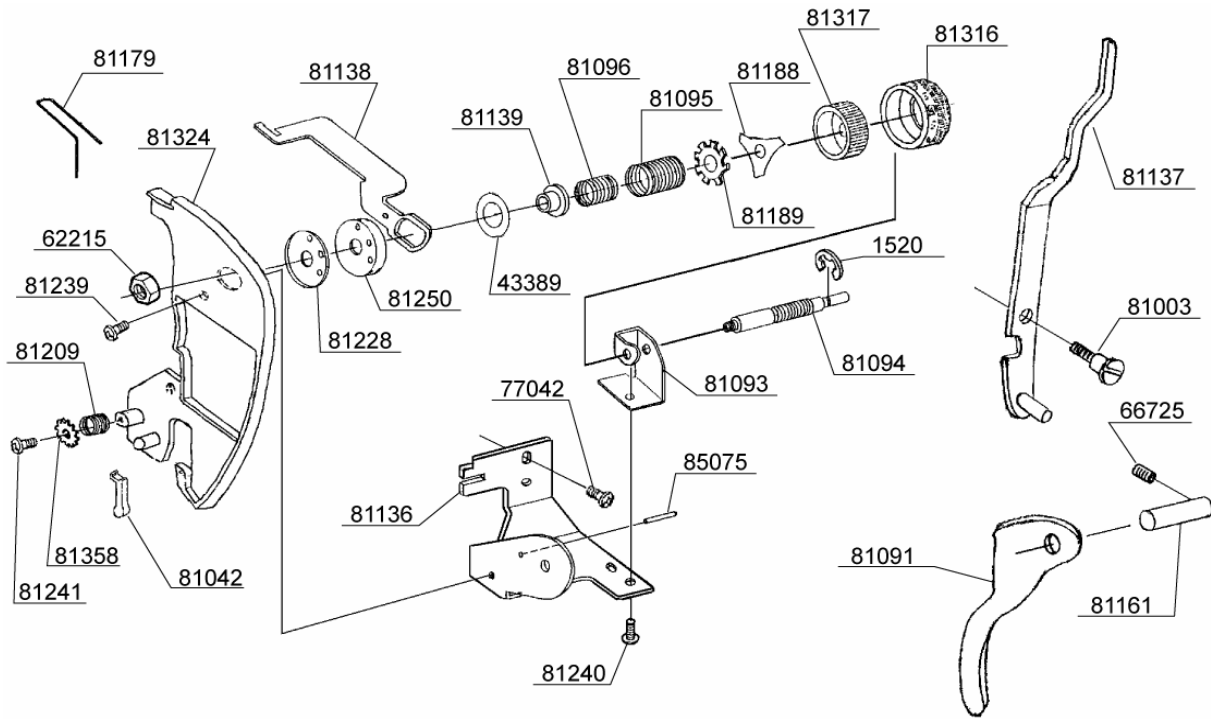
BUYER'S MODEL NO.	118	SECTION	PAGE	REVISION	REMARKS	PART NO.	DESCRIPTION
BUYER'S MODEL NAME			3			1513	E4 CLIP-ON-WASHER
FACTORY MODEL	CA11860,CE118S0					1520	E3 CLIP-ON-WASHER
ORIGINAL ISSUE	March, 2004	SERIAL NO.				39817	SCREW
						61222	M4 PHILLIPS SCREW
						64653	M3 SCREW
						66725	M3 SCREW
						67232	NEEDLE
						77042	M4 PHILLIPS SCREW
						80046	EXTENSION SPRING
						81004	SUPPORT BUSH
						81005	SUPPORT FIXING PLATE
						81006	COLLAR
						81007	STOPPER
						81010	PIN
						81011	SUPPORT CONNECTION PLATE
						81012	SUPPORT CONNECTION SHAFT
						81055	NEEDLE BAR
						81056	NEEDLE CLAMP
						81058	NEEDLE BAR CLAMP
						81061	NEEDLE BAR SUPPORT
						81074	COMPRESSION SPRING
						81075	THREADER SHAFT SET
						81087	LEVER
						81142	LIMITING PLATE
						81144	BOBBIN WINDER COMPLETE
						81145	RATCHET
						81162	SUPPORT SHAFT
						81191	EXTENSION SPRING
81192	THREADER ASSEMBLY						
81215	TORSION SPRING						
81216	NEEDLE CLAMP SCREW						
81234	M3.5 HEX SCREW						
81253	COLLAR						
85061	PIN						
85075	PIN						

BUYER'S MODEL NO.	118	SECTION	PAGE	REVISION	REMARKS	PART NO.	DESCRIPTION
BUYER'S MODEL NAME			4			1513	E4 CLIP-ON-WASHER
FACTORY MODEL	CA11860,CE118S0					67447	M5 SCREW
ORIGINAL ISSUE	March, 2004	SERIAL NO.				68891	WASHER



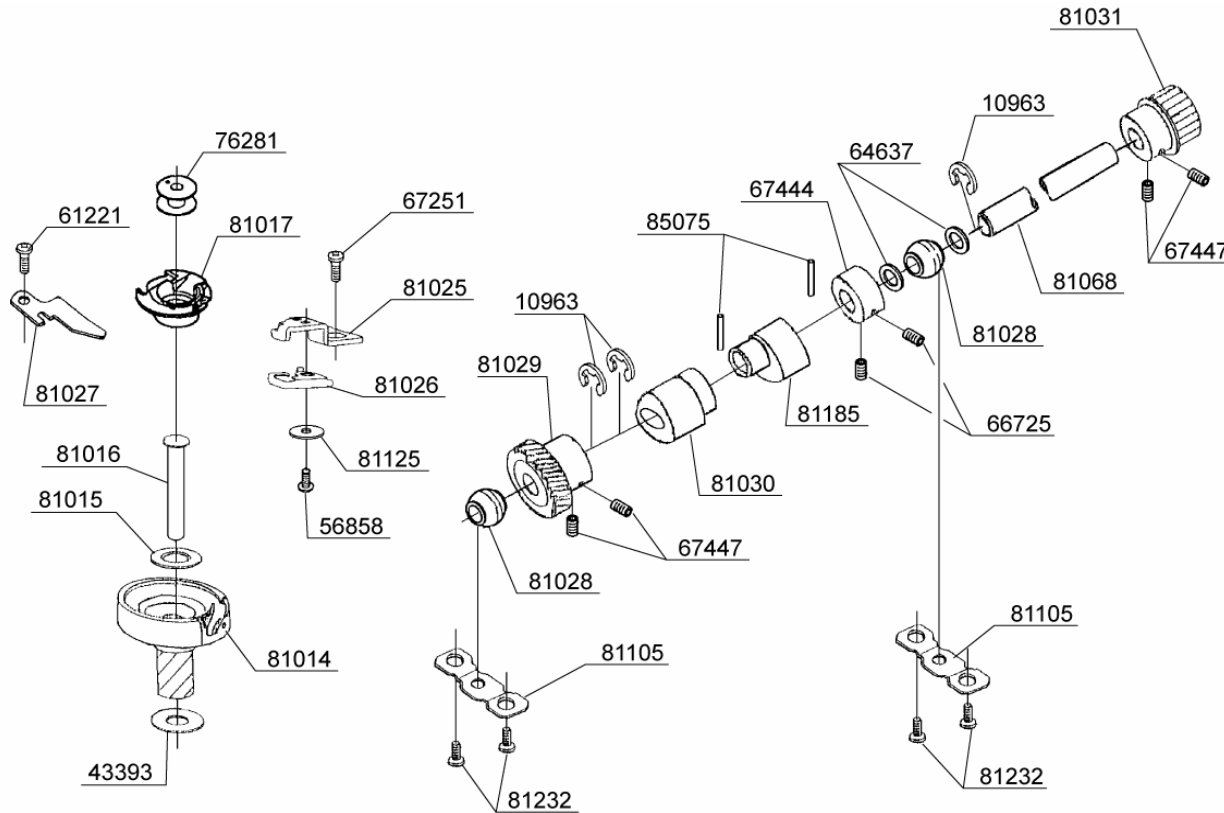
PART NO.	DESCRIPTION
1513	E4 CLIP-ON-WASHER
67447	M5 SCREW
68891	WASHER
76250	PRESSER FOOT HOLDER
77035	M4 PHILLIPS SCREW
79456	NEEDLE PLATE
79491	SCREW
79495	ZIGZAG PRESSER FOOT
81013	IDLER UNIT
81021	RELEASE LEVER
81024	SHUTTLE RACE COVER
81053	PRESSER BAR
81066	IDLER BRACKET
81092	COMPRESSION SPRING
81133	PRESSER BAR HOLDER
81134	PRESSER BAR BLOCK
81202	TIMING BELT
81256	SCREW FOR SHANK
81257	SET SCREW
81333	THREAD GUIDE
81334	SHUTTLE COVER SPRING PLATE
81373	M2 SCREW
81374	SCREW

BUYER'S MODEL NO.	118	SECTION	PAGE	REVISION	REMARKS	PART NO.	DESCRIPTION
BUYER'S MODEL NAME			5			1520	E3 CLIP-ON-WASHER
FACTORY MODEL	CA11860,CE118S0					43389	WASHER
ORIGINAL ISSUE	March, 2004	SERIAL NO.				62215	M4 NUT



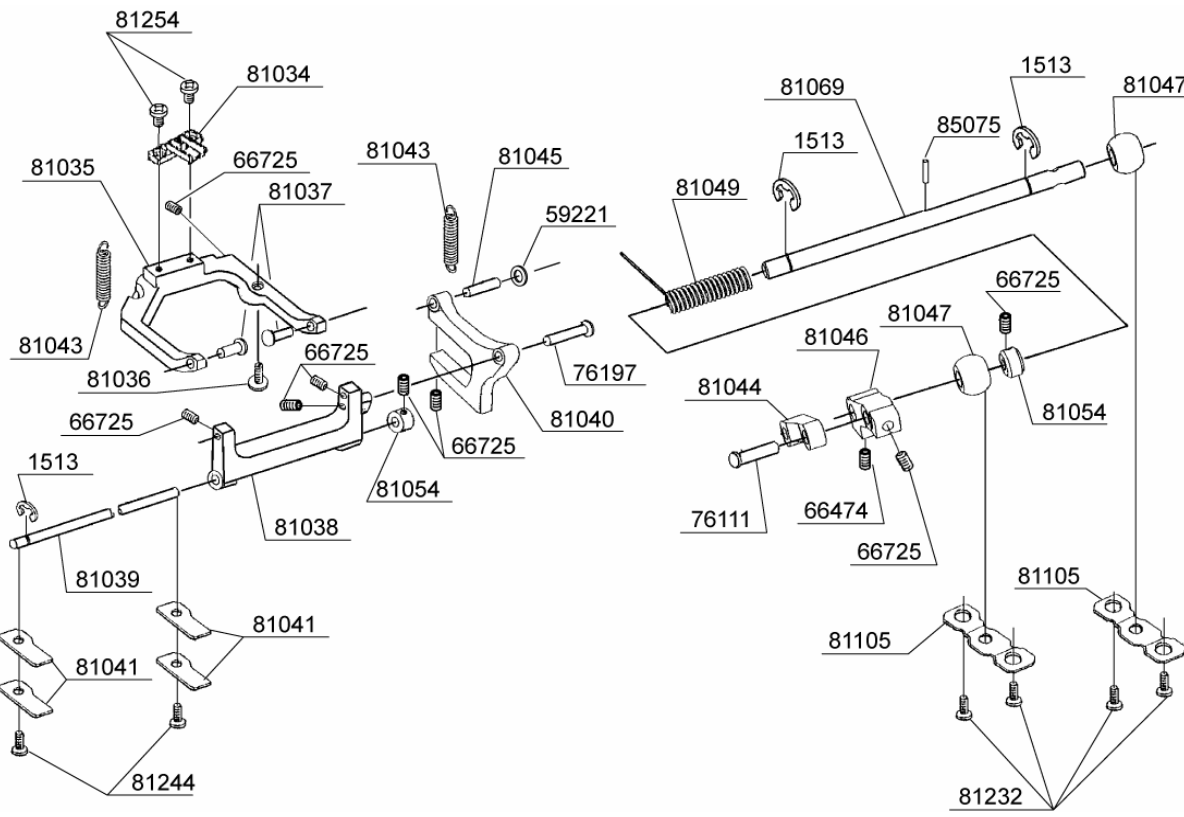
PART NO.	DESCRIPTION
1520	E3 CLIP-ON-WASHER
43389	WASHER
62215	M4 NUT
66725	M3 SCREW
77042	M4 PHILLIPS SCREW
81003	STUD SCREW
81042	CHECK SPRING GUIDE
81091	PRESSER FOOT LIFTER
81093	TENSION SHAFT FIXING PLATE
81094	THREAD TENSION SHAFT
81095	COMPRESSION SPRING
81096	COMPRESSION SPRING
81136	THREAD TENSION BASE
81137	TENSION RELEASE LEVER
81138	TENSION RELEASE LEVER
81139	TENSION SPRING BASE
81161	SHAFT
81179	THREAD GUIDE PLATE
81188	GUIDE PLATE
81189	SLIDE SCREW
81209	CHECK SPRING
81228	TENSION PLATE
81239	M3.5 SCREW
81240	M3 SCREW
81241	M3 SCREW
81250	TENSION PLATE
81316	DIAL
81317	DIAL RING
81324	THREAD GUIDE PLATE
81358	WASHER
85075	PIN

BUYER'S MODEL NO.	118	SECTION	PAGE	REVISION	REMARKS	PART NO.	DESCRIPTION
BUYER'S MODEL NAME			6			10963	E6 CLIP-ON-WASHER
FACTORY MODEL	CA11860,CE118S0					43393	WASHER
ORIGINAL ISSUE	March, 2004	SERIAL NO.				56858	M2 PHILLIPS SCREW



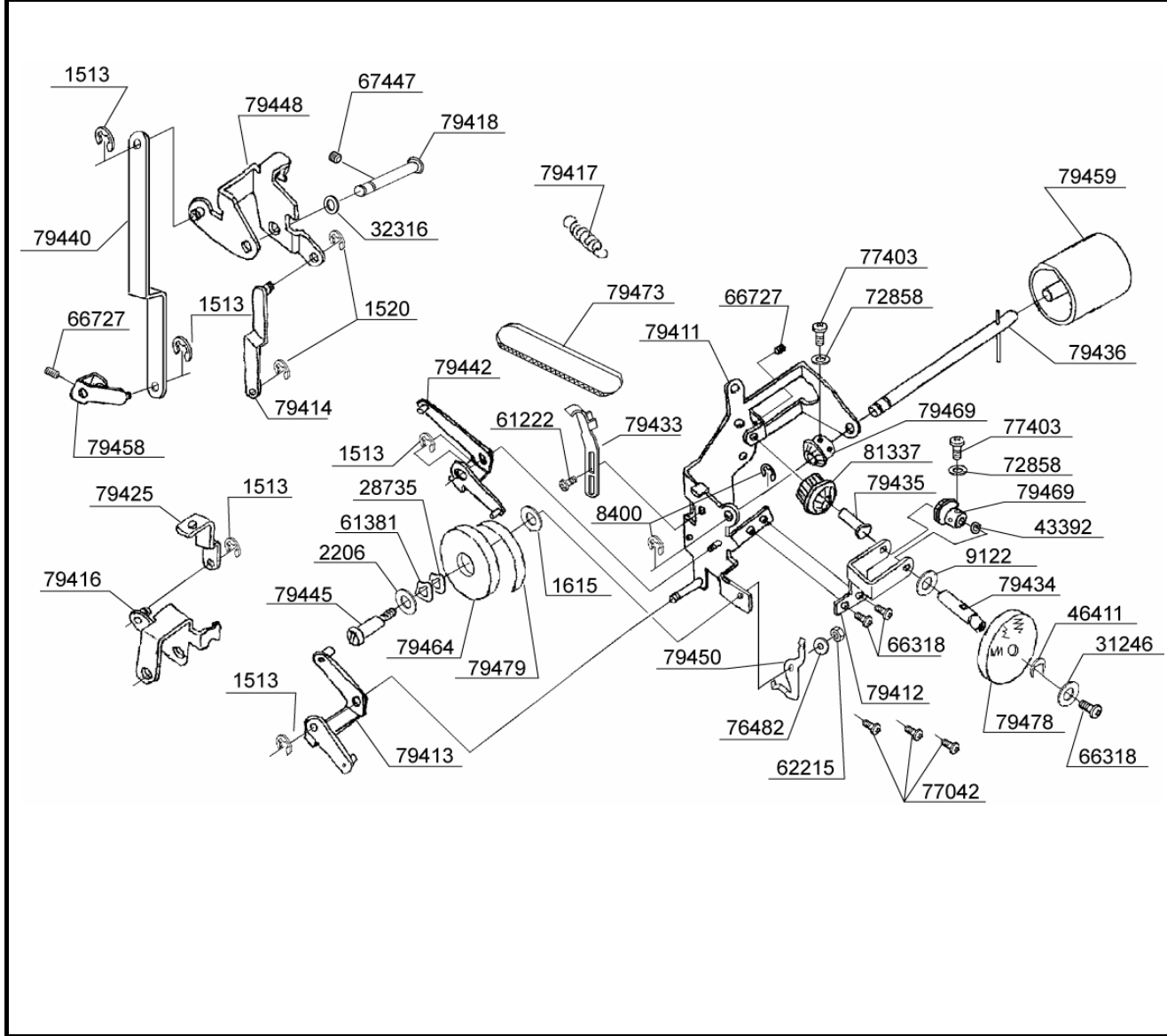
10963	E6 CLIP-ON-WASHER
43393	WASHER
56858	M2 PHILLIPS SCREW
61221	M4 PHILLIPS SCREW
64637	WASHER
66725	M4 SCREW
67251	M3.5 SCREW
67444	COLLAR
67447	M5 SCREW
76281	BOBBIN
81014	SHUTTLE RACE
81015	WASHER
81016	SHUTTLE RACE SHAFT
81017	BOBBIN CASE
81025	BOBBIN CASE STOPPER
81026	SPRING PLATE
81027	BOBBIN CASE LIMITING PLATE
81028	BALL BUSHING
81029	BEVEL GEAR
81030	FEED-DOG LIFTING CAM
81031	LOWER SHAFT BELT GEAR
81068	LOWER SHAFT
81105	SECURING PLATE
81125	WASHER
81185	FEED-DOG FEEDING CAM
81232	SCREW
85075	KNOCK PIN

BUYER'S MODEL NO.	118	SECTION	PAGE	REVISION	REMARKS	PART NO.	DESCRIPTION
BUYER'S MODEL NAME			7			1513	E4 CLIP-ON-WASHER
FACTORY MODEL	CA11860,CE118S0					59221	WASHER
ORIGINAL ISSUE	March, 2004	SERIAL NO.				66474	M5 SCREW



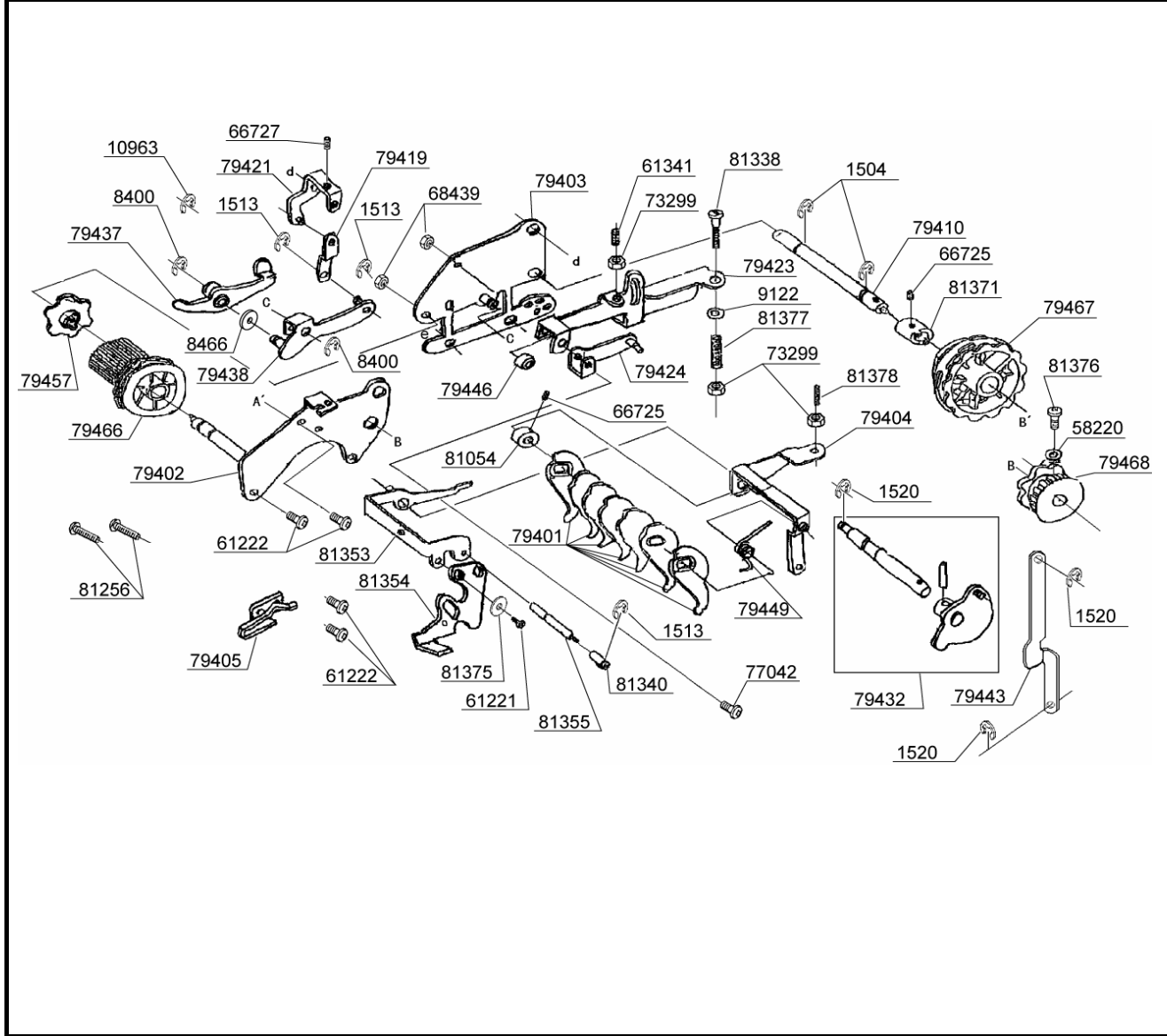
PART NO.	DESCRIPTION
1513	E4 CLIP-ON-WASHER
59221	WASHER
66474	M5 SCREW
66725	M4 SCREW
76111	HEADED PIN
76197	HEADED PIN
81034	FEED DOGS
81035	FEED DOG BASE
81036	ADJUSTING SCREW
81037	SHAFT
81038	FEED REGULATING BRACKET
81039	FEED REGULATING SHAFT
81040	FEED REGULATING ARM
81041	FIXING PLATE
81043	SPRING
81044	FEED REGULATING LINK L.
81045	PIN
81046	FEED REGULATING LINK R.
81047	BALL BUSHING
81049	TORSION SPRING
81054	COLLAR
81069	HORIZONTAL FEED SHAFT
81105	SECURING PLATE
81232	SCREW
81244	SCREW
81254	SCREW
85075	KNOCK PIN

BUYER'S MODEL NO.	118	SECTION	PAGE	REVISION	REMARKS	PART NO.	DESCRIPTION
BUYER'S MODEL NAME			8			1513	E4 CLIP-ON-WASHER
FACTORY MODEL	CA11860,CE118S0					1520	E3 CLIP-ON-WASHER
ORIGINAL ISSUE	March, 2004	SERIAL NO.				1615	WASHER



7912	WASHER
28735	CRINKLE WASHER
31246	WASHER
32316	WASHER
43392	WASHER
46411	SPRING WASHER
61222	M4 PHILLIPS SCREW
61381	CRINKLE WASHER
62215	M4 NUT
66318	M4 SCREW
66727	HEX SCREW
67447	M5 SCREW
72858	WASHER
76482	WASHER
77042	M4 PHILLIPS SCREW
77403	SCREW
79411	SELECTOR CAM BASE
79412	PATTERN INDICATOR SUPPORT
79413	FEED LEVER
79414	OPERATING ARM A
79416	OPERATING ARM B
79417	SPRING
79418	SHAFT
79425	OPERATING PLATE
79433	BELT ADJUSTMENT PLATE
79434	SHAFT
79435	GEAR SHAFT
79436	SHAFT
79440	HORIZONTAL SHAFT LINK PLATE
79442	SUPER CHANGE LEVER
79445	M4 SHOULDER SCREW
79448	OPERATING ARM A ASSY
79450	NOTCHED SPRING
79458	OPERATING ARM
79459	PATTERN SELECTING DIAL
79464	DIAL INDICATOR
79469	BEVEL GEAR
79473	BELT
79478	PATTERN DISK
79479	SEAL
81337	BEVEL GEAR

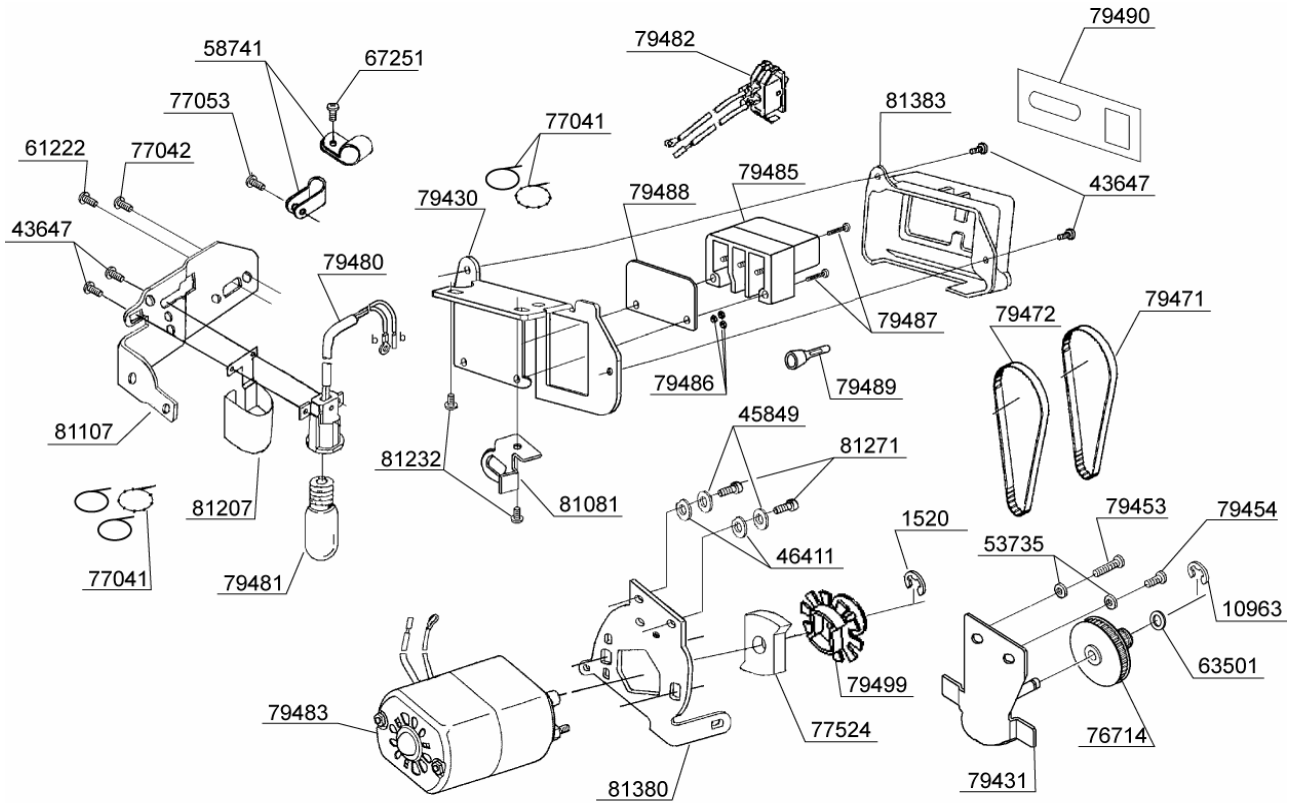
BUYER'S MODEL NO.	118	SECTION	PAGE	REVISION	REMARKS	PART NO.	DESCRIPTION
BUYER'S MODEL NAME			9			1504	E7 CLIP-ON-WASHER
FACTORY MODEL	CA11860,CE118S0					1513	E4 CLIP-ON-WASHER
ORIGINAL ISSUE	March, 2004	SERIAL NO.				1520	E3 CLIP-ON-WASHER



1504	E7 CLIP-ON-WASHER
1513	E4 CLIP-ON-WASHER
1520	E3 CLIP-ON-WASHER
8400	E5 CLIP-ON-WASHER
8466	WASHER
9122	WASHER
10963	E6 CLIP-ON-WASHER
58220	WASHER
61221	SCREW
61222	M4 PHILLIPS SCREW
61228	SCREW
61341	M4 SCREW
66318	M4 SCREW
66725	M3 SCREW
66727	M4 SCREW
68439	M4 NUT
73299	M4 TORQUE NUT
77042	M4 PHILLIPS SCREW
79401	FOLLOWER
79402	PATTERN CAM BASE A
79403	PATTERN CAM BASE B
79404	FOLLOWER SUPPORT
79405	NOTCHED SPRING
79410	SHAFT
79419	SUPER CHANGE LINK
79421	SUPER CHANGE ARM
79423	LENGTH OPERATION PLATE
79424	LENGTH OPERATION LEVER
79432	SUPER CHANGE ASSY
79437	SUPER STITCH FOLLOWER
79438	FOLLOWER BASE
79443	SUPER LINK PLATE
79446	COLLAR
79449	COIL SPRING
79457	SUPER STITCH CAM
79466	PATTERN CAM
79467	PATTERN SELECTION CAM
79468	CAM GEAR
81054	COLLAR
81256	SCREW
81338	SCREW
81340	PIN
81353	OPERATING PLATE
81354	ADJUSTING PLATE
81355	SHAFT
81371	CAM BUSH
81375	WASHER
81376	M4 SCREW
81377	SPRING
81378	SCREW

BUYER'S MODEL NO.	118	SECTION	PAGE	REVISION	REMARKS
BUYER'S MODEL NAME			11-1		
FACTORY MODEL	CA11860				
ORIGINAL ISSUE	March, 2004	SERIAL NO.			

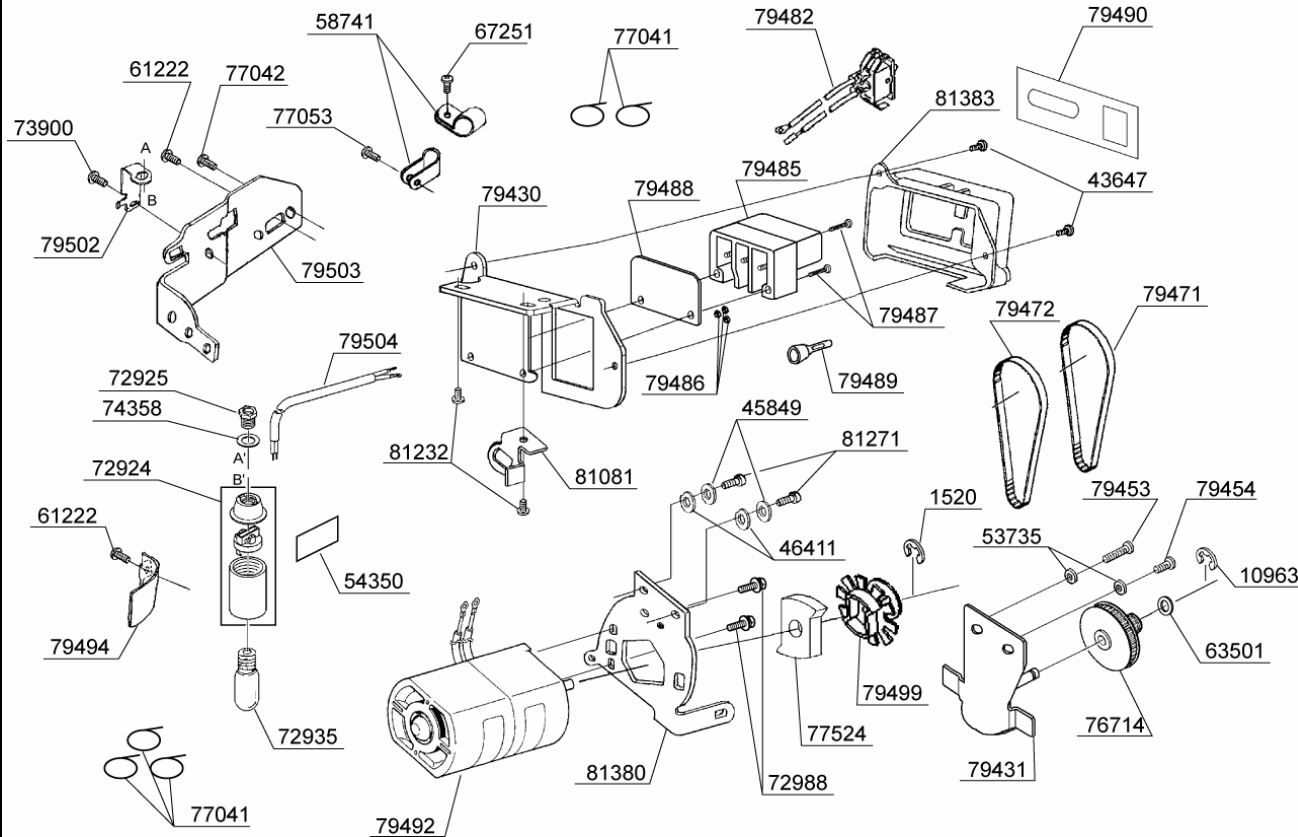
120V



PART NO.	DESCRIPTION
1520	E3 CLIP-ON-WASHER
10963	E6 CLIP-ON-WASHER
43647	M3 SCREW
45849	WASHER
46411	WASHER
53735	WASHER
58741	CORD GUARD
61222	M4 PHILLIPS SCREW
63501	WASHER
67251	SCREW
76714	PULLEY
77041	UNITY FASTENER
77042	M4 PHILLIPS SCREW
77053	M3 SCREW
77524	GEAR CLUTCH
79430	TERMINAL BLOCK BRACKET
79431	INTERMEDIATE GEAR PLATE
79453	M4 CP BOLT
79454	M4 CP BOLT
79471	BELT
79472	BELT
79480	LAMP CORD UNIT
79481	LIGHT BULB
79482	SWITCH ASSEMBLY
79483	MOTOR (120V)
79485	TERMINAL BLOCK
79486	M3 NUT
79487	M3 BINDING SCREW
79488	INSULATION PLATE
79489	CONNECTOR
79490	PLATE
79499	MOTOR PULLEY
81081	BELT GUIDE PLATE
81107	LAMP PLATE
81207	BULB COVER
81232	SCREW
81271	CP BOLT
81380	MOTOR SUPPORT
81383	TERMINAL COVER

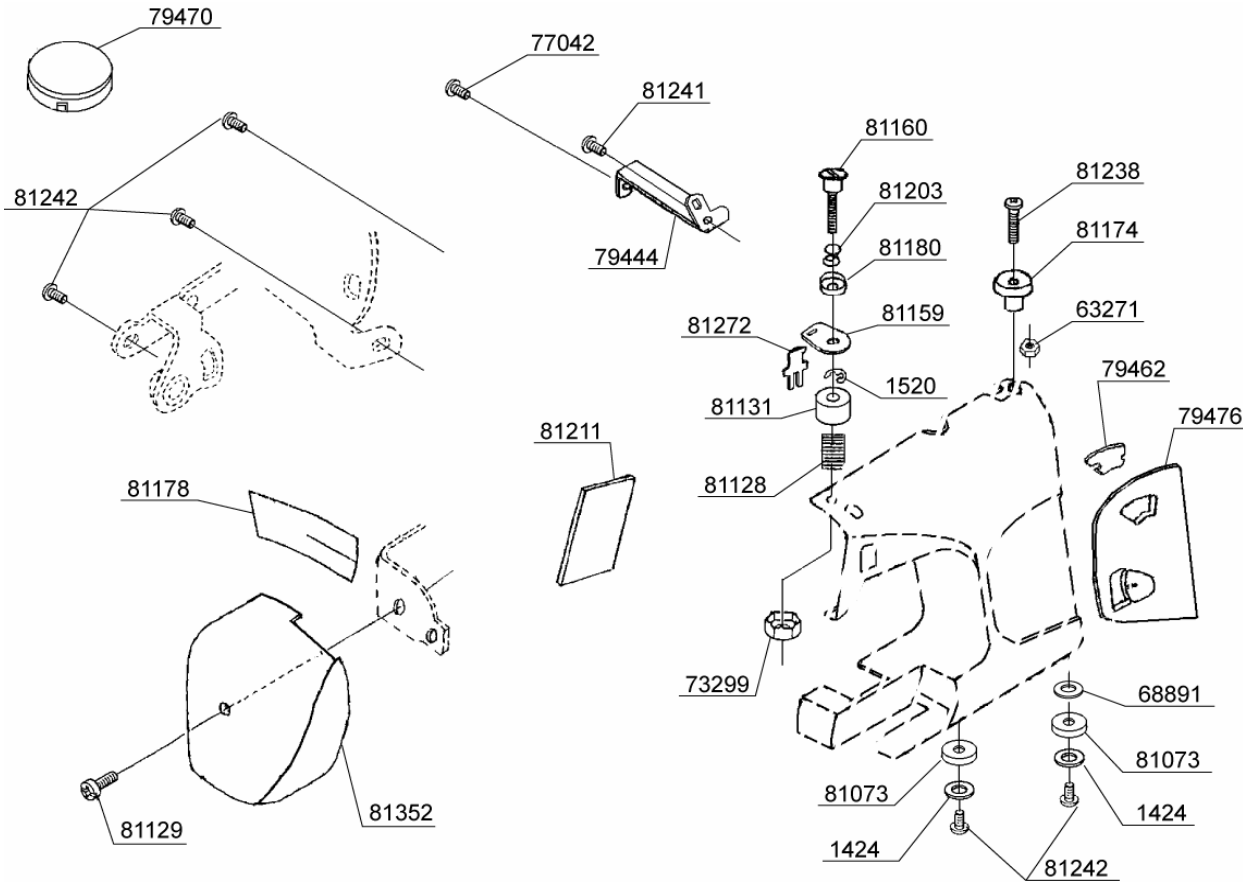
BUYER'S MODEL NO.	118	SECTION	PAGE	REVISION	REMARKS	PART NO.	DESCRIPTION
BUYER'S MODEL NAME			11-2			1520	E3 CLIP-ON-WASHER
FACTORY MODEL	CE118S0					10963	E6 CLIP-ON-WASHER
ORIGINAL ISSUE	March, 2004	SERIAL NO.				43647	M3 SCREW

230V



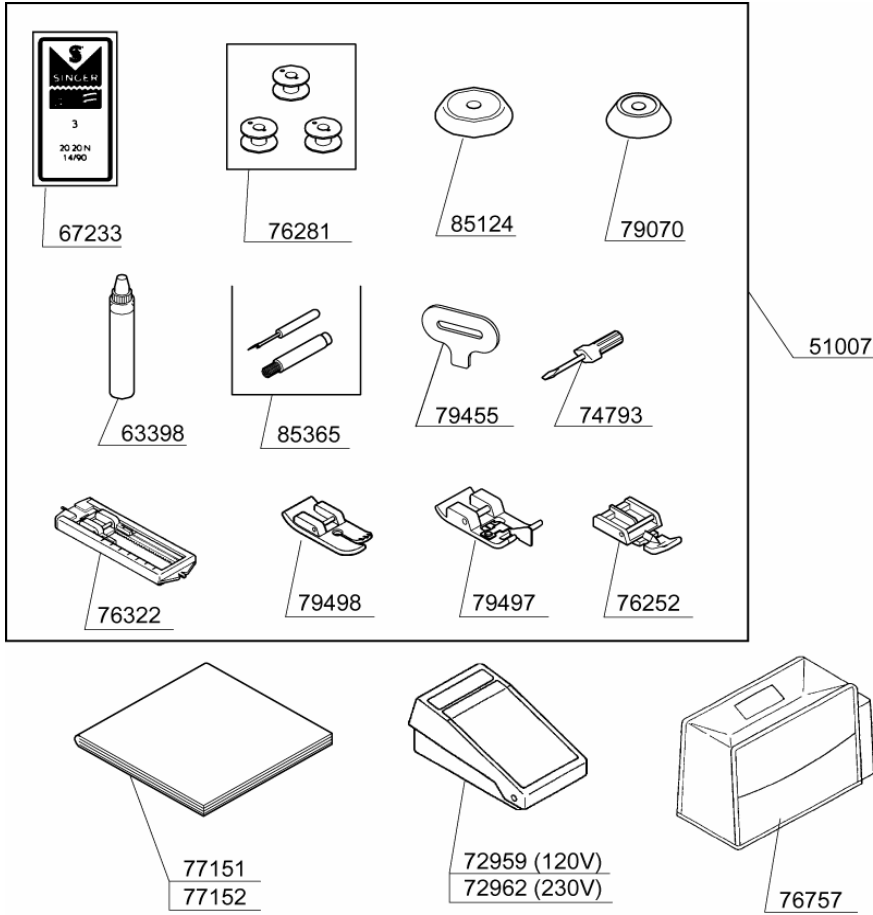
1520	E3 CLIP-ON-WASHER
10963	E6 CLIP-ON-WASHER
43647	M3 SCREW
45849	WASHER
46411	WASHER
53735	WASHER
54350	SEAL
58741	CORD GUARD
61222	M4 PHILLIPS SCREW
63501	WASHER
67251	SCREW
72924	LAMP HOLDER BRACKET
72925	CAP BOLT
72935	LIGHT BULB
72988	M4 BOLT WITH WASHER
73900	SCREW
74358	WASHER
76714	PULLEY
77041	UNITY FASTENER
77042	M4 PHILLIPS SCREW
77053	M3 SCREW
77524	GEAR CLUTCH
79430	TERMINAL BLOCK BRACKET
79431	INTERMEDIATE GEAR PLATE
79453	M4 CP BOLT
79454	M4 CP BOLT
79471	BELT
79472	BELT
79482	SWITCH ASSEMBLY
79485	TERMINAL BLOCK
79486	M3 NUT
79487	M3 BINDING SCREW
79488	INSULATION PLATE
79489	CONNECTOR
79490	PLATE
79492	MOTOR (230V)
79494	REFLECTING PLATE
79499	MOTOR PULLEY
79502	BRACKET
79503	LAMP PLATE
79504	LAMP CPRD
81081	BELT GUIDE PLATE
81232	SCREW
81271	CP BOLT
81380	MOTOR SUPPORT
81383	TERMINAL COVER

BUYER'S MODEL NO.	118	SECTION	PAGE	REVISION	REMARKS	PART NO.	DESCRIPTION
BUYER'S MODEL NAME			12			1424	WASHER
FACTORY MODEL	CA11860,CE118S0					1520	E3 CLIP-ON-WASHER
ORIGINAL ISSUE	March, 2004	SERIAL NO.				63271	NUT



1424	WASHER
1520	E3 CLIP-ON-WASHER
63271	NUT
68891	WASHER
73299	M4 TORQUE NUT
77042	M4 PHILLIPS SCREW
79444	COVER FIXING PLATE
79462	INDICATOR WINDOW
79470	COVER FIXING PLATE
79476	CONTROL PANEL
81073	WASHER
81128	SPRING
81129	M4 SCREW
81131	SHAFT
81159	TENSION DISC BASE B
81160	SCREW
81174	BOBBIN WINDER LATCH
81178	REFLECTING SHEET
81180	DISC
81203	SPRING
81211	CUSHION
81238	M3.5 PHILLIPS SCREW
81241	M3 PHILLIPS SCREW
81242	M3.5 PHILLIPS SCREW
81243	M3.5 SCREW
81272	TENSION DISC BASE A
81352	FACE COVER

BUYER'S MODEL NO.	118	SECTION	PAGE	REVISION	REMARKS	PART NO.	DESCRIPTION
BUYER'S MODEL NAME			14			51007	ACCESSORY SET
FACTORY MODEL	CA11860,CE118S0					63398	SEWING MACHINE OIL
ORIGINAL ISSUE	March, 2004	SERIAL NO.				67233	NEEDLE SET (3 PCS)



51007	ACCESSORY SET
63398	SEWING MACHINE OIL
67233	NEEDLE SET (3 PCS)
72959	FOOT CONTROL (120V)
72962	FOOT CONTROL (230V)
74793	SMALL SCREW DRIVER
76252	ZIPPER FOOT
76281	BOBBIN
76322	BUTTONHOLE FOOT
76757	DUST COVER
77151	INSTRUCTION BOOK (Eng/Esp/Fra)
77152	INSTRUCTION BOOK (Eng/Ita/Ger)
79070	SPOOL PIN CAP
79455	LARGE SCREW DRIVER
79497	OVERCASTING FOOT
79498	STRAIGHT STITCH FOOT
85124	SPOOL PIN CAP
85365	BUTTONHOLE OPENER / BRUSH