

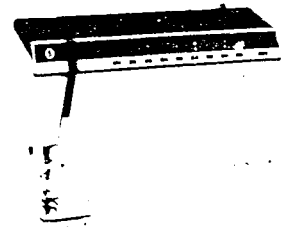
**SINGER**  
**1100**

SINGER\*

MASTER COPY

*2*

List of Parts



**Futura\***  
Solid-state Electronic Sewing Machine

**Model 1100**

\* A Trademark of THE SINGER COMPANY

Copyright © 1978 THE SINGER COMPANY  
All Rights Reserved Throughout the World

Form 30-679G (12.78) Engl  
Part No. 421519-002

Printed in Western Germany

---

SINGER GMBH  
Zweigniederlassung Karlsruhe

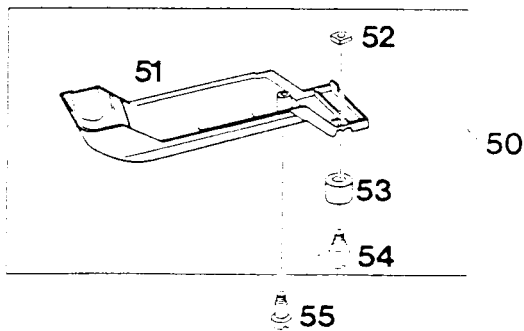
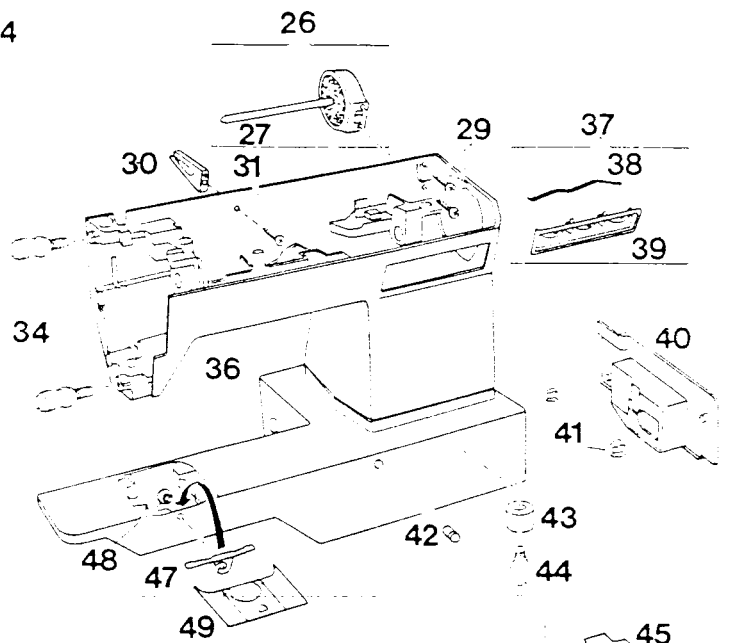
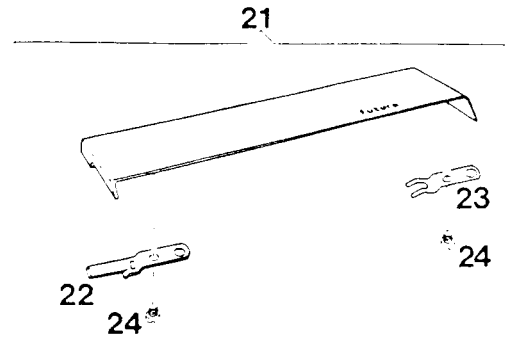
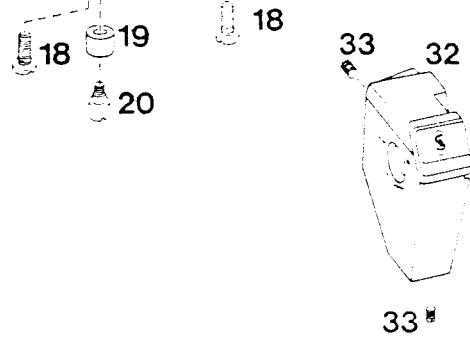
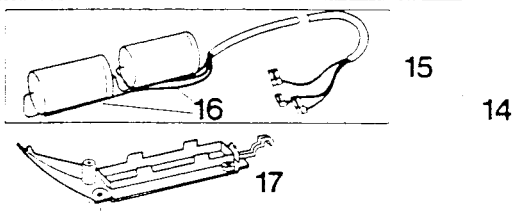
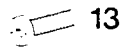
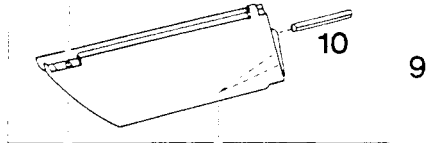
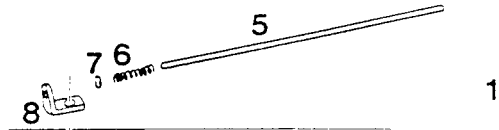
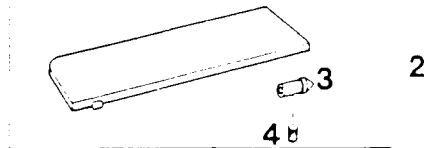
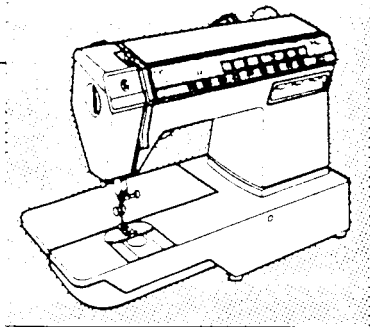
Postfach 5640  
D 7500 Karlsruhe

Phone 0721 60901  
Telex 07825842

---

1

# 1100 G3



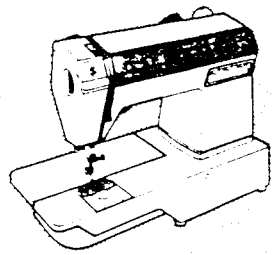
# Contents

List of Parts Futura Model 110

Group

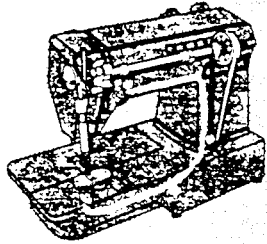
Page

**1**



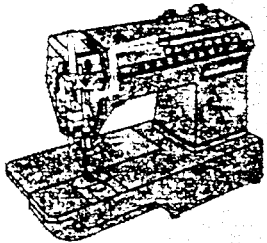
4

**2**



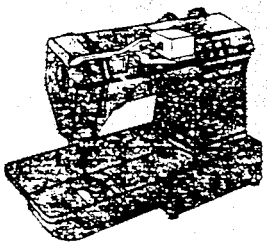
6

**3**



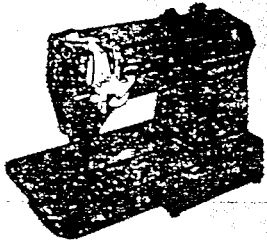
8

**4**



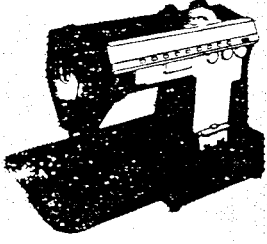
10

**5**



12

**6**

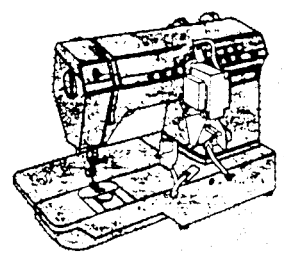


14

Group

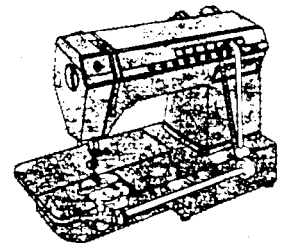
Page

**7**



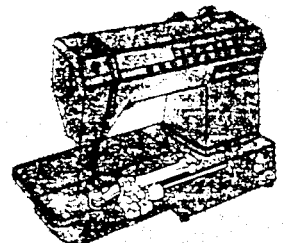
16

**8**



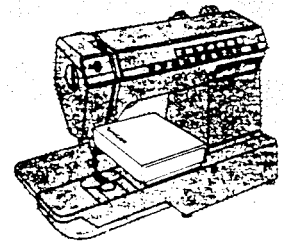
18

**9**



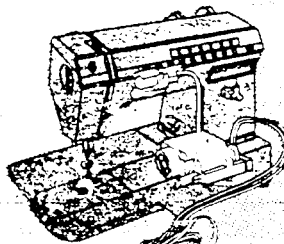
20

**10**



22

**11**



24

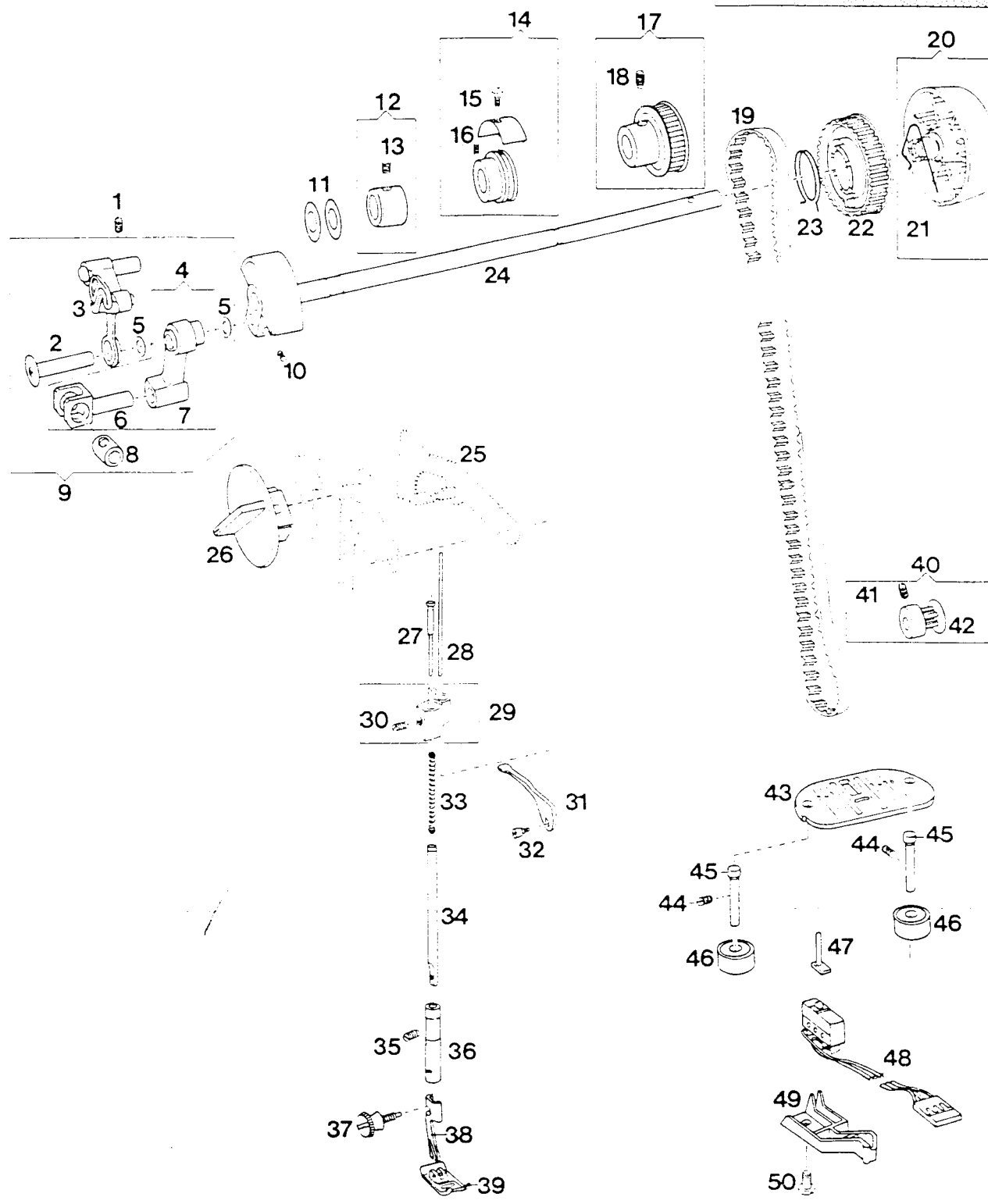
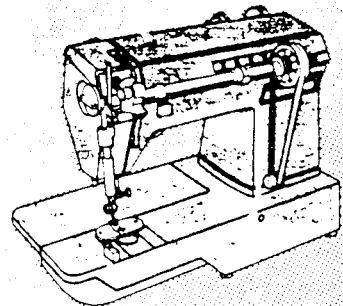
# 1

## List of Parts for 1100 G3 Machine

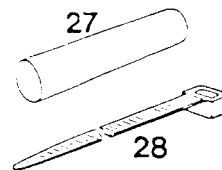
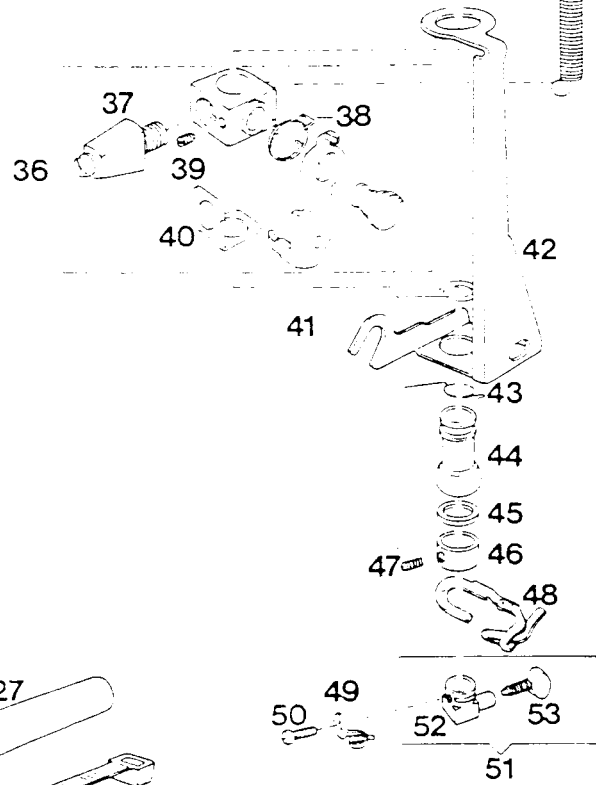
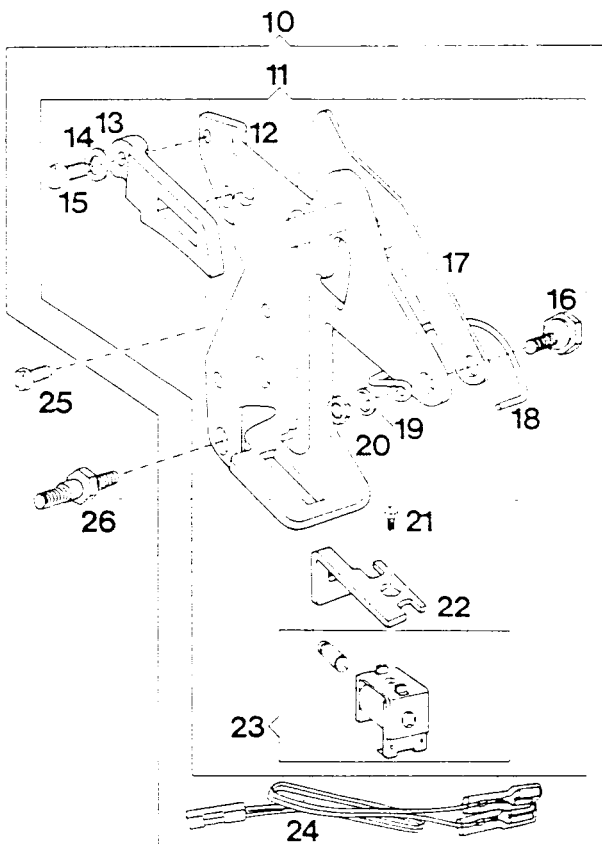
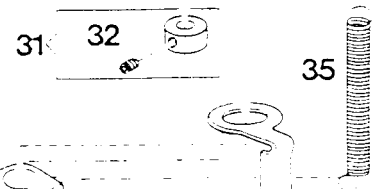
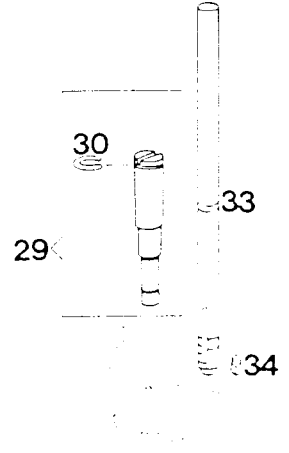
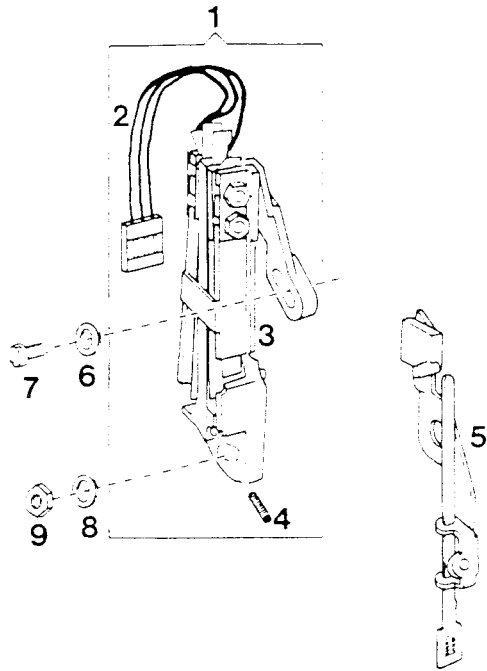
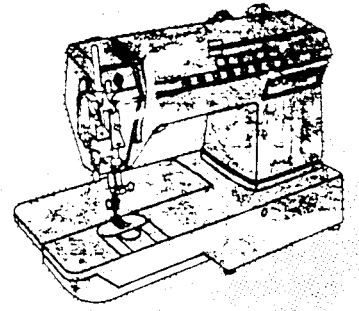
Pos. No.	Part No.	Description
1	421387-451	Bed (Convertible) Lid with Bed Leg (back) cpl. 421386-451, 502328, 514560-451, 502353, 502200, 507309, 502201 and 503376-452
2	421386-451	Bed (Convertible) Lid cpl. 502470, 514556-451
3	502470-000	Bed (Convertible) Lid Stud cpl.
4	514556-451	Bed (Convertible) Lid Set Screw
5	502200-000	Bed (Convertible) Lid Bracket Stud
6	502201-000	Bed (Convertible) Lid Bracket Compression Spring
7	507309-000	Bed (Convertible) Lid Bracket Retaining Ring
8	502328-000	Bed (Convertible) Lid Bracket
9	503376-452	Bed Leg (back) cpl.
10	506499-000	Bed Leg (back) Locating Pin
11	502353-000	Bed (Convertible) Lid Bracket Washer
12	514560-451	Bed (Convertible) Lid Bracket Screw
13	514629-451	Bed Leg (back) Screw (2x)
14	502472-451	Convertible Bed Leg Cover cpl. with Capacitor Unit 502329-451, 503251-000
15	503251-000	Capacitor with Harness cpl.
16	503252-000	Capacitor
17	502329-451	Convertible Bed Leg Cover
18	514670-451	Convertible Bed Leg Cover Screw (2x)
19	172203-000	Bed Leg (back) Cushion
20	514520-000	Bed Leg (back) Cushion Screw
21	421478-451	Arm Top Cover cpl. 502453-451, 421479, 502455, 514705-451 (2x)
22	421479-000	Arm Top Cover Spring (Left Side)
23	502455-000	Arm Top Cover Spring
24	514705-451	Arm Top Cover Screw (2x)
25		
26	502420-451	Arm Spool Pin cpl.
27	507139-452	Arm Spool Pin
28		
29	514675-451	Arm Spool Pin Screw (2x)
30	511252-452	Arm Top Cover Lid Thread Guide
31	514675-451	Arm Top Cover Lid Thread Guide Screw
32	502418-452	Face Plate cpl.
33	514509-830	Face Plate Screw (2x)
34	514655-451	Face Plate Mounting Screw (2x)
35		
36	421408-451	Arm & Bed (Painted and Ornamented)
37	503285-451	Override Dial Panel cpl. 604824-451, 503284
38	503284-000	Override Dial Panel Spring
39		Component, not individually available
40	421244-451	Bed Cover Plate (right end)
41	103761-000	Bed Cover Plate (right end) Fastener (2x)
42	511239-451	Bed Plug (Front, Plastic)
43	172203-000	Bed Cushion (2x)
44	140809-805	Bed Cushion Screw (2x)
45	421242-451	Bed Cover Plate (Bottom) cpl.
46	514716-451	Bed Cover Plate (Bottom) Screw (2x)
47	511077-000	Slide Plate Spring
48	514515-451	Slide Plate Spring Screw
49	506433-000	See-thru Slide Plate cpl.
50	503378-451	Bed Cover (Convertible) cpl. 503379-451, 172203, 514520, 500783
51	503379-451	Bed Cover (Convertible)
52	500783-000	Bed Cover (Convertible) Cushion Screw Nut
53	172203-000	Bed Cover (Convertible) Cushion
54	514520-000	Bed Cover (Convertible) Cushion Screw
55	500277-819	Bed Cover (Convertible) Screw

## List of Parts for 1100 G3 Machine

Pos. No.	Part No.	Description
1	514649-452	Thread Take-up Lever Link Hinge Stud Set Screw
2	511380-000	Thread Take-up Stud cpl.
3	421614-000	Thread Take-up Lever cpl. with Hinge Stud
4	421414-000	Needle Bar Connecting Link cpl.
5	421356-000	Thread Take-up Crank Damping Washer (2x)
6	502343-000	Needle Bar Connecting Stud
7		Component, not individually available
8	172043-000	Needle Bar Connecting Hinge Pin
9	421413-000	Thread Take-up Lever cpl. with Needle Bar Connecting Link 511380, 421614, 421414, 421356, 172043
10	514556-451	Thread Take-up Set Screw
11	506163-000	Needle Bar Crank Washer (2x)
12	507894-000	Arm Shaft (horizontal) Collar cpl.
13	514559-451	Arm Shaft (horizontal) Collar Set Screw
14	502333-000	Synchronizer cpl.
15	514662-451	Synchronizer Screw
16	514654-451	Synchronizer Set Screw
17	421489-000	Arm Shaft Belt Drive Pulley cpl.
18	514562-451	Arm Shaft Belt Drive Pulley Screw
19	603975-009	Hand Wheel Drive Belt
20	421240-452	Hand Wheel (Motor Drive) cpl. with 421280
21	421280-000	Hand Wheel Mounting Spring
22	421281-000	Motor Hand Wheel Pulley
23	421282-000	Hand Wheel Gear Spring
24	421259-000	Arm Shaft (horizontal) with 514556-451
25	503353-000	Presser Bar Pressure Lever cpl. (see group 3 Pos. No. 17)
26	502463-451	Presser Bar Pressure Regulating Knob
27	502484-000	Presser Bar Pressure Regulating Extension Pin
28	502462-000	Tension Releasing Pin
29	502461-000	Presser Bar Guide Bracket cpl.
30	000453-830	Presser Bar Guide Bracket Set Screw
31	502362-000	Presser Bar Lifter
32	514535-451	Presser Bar Lifter Hinge Screw
33	503346-000	Presser Bar Spring
34	502360-000	Presser Bar
35	000453-830	Presser Bar Bushing Set Screw
36	506449-000	Presser Bar Bushing
37	354135-453	Presser Foot Thumb Screw
38	163706-000	Presser Foot Shank
39	502280-452	Presser Foot Plate cpl.
40	604431-002	Motor Pulley Assembly cpl.
41	514509-830	Timing Belt Pulley Screw
42	604147-002	Motor Pulley Assembly
43	421410-000	Throat Plate for Zig-zag Stitching
44	500311-830	Throat Plate Catch Pin Screw (2x)
45	507197-000	Throat Plate Catch Pin (Left and Right)
46	507196-000	Throat Plate Securing Magnet (2x)
47	502414-000	Safety Micro Switch Actuating Stud (Plastic)
48	421212-000	Safety Micro Switch cpl. with Harness
49	502413-000	Safety Micro Switch Mounting Clamp
50	514670-451	Safety Micro Switch Mounting Clamp Screw





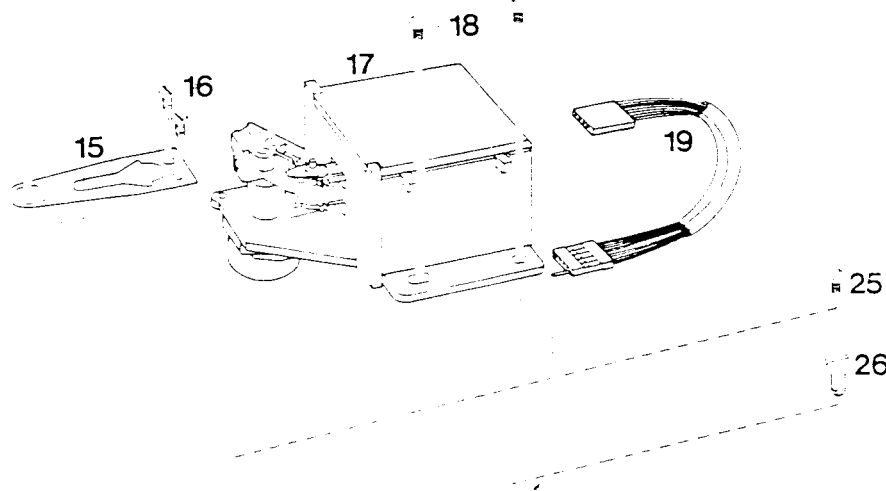
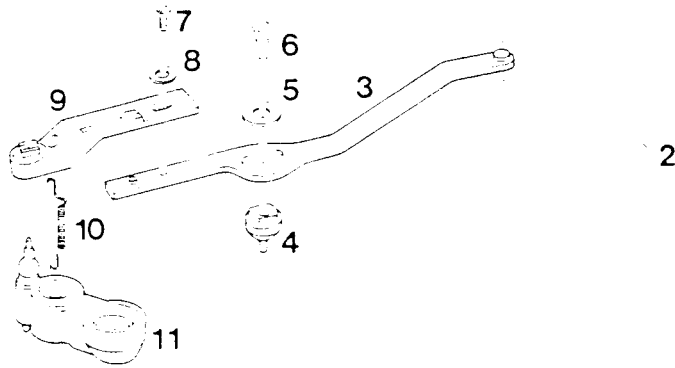
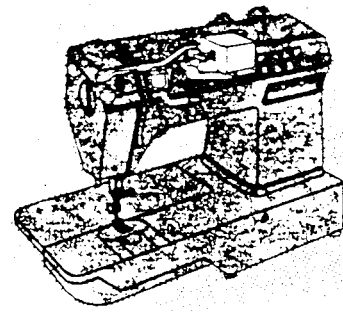


Pos. No.	Part No.	Description
1	502492-000	Buttonholer Switch cpl. with Harness and Connector 604993-001, 619607, 354535-451
2	619607-000	Buttonholer Switch Harness cpl.
3	604993-001	Buttonholer Switch cpl.
4	604867-000	Buttonholer Switch Body Set Screw
5	605003-001	Buttonholer Kickout Shaft Tripping Rod (Retractable) Lever
6	506343-000	Buttonholer Switch Screw Washer
7	514650-451	Buttonholer Switch Screw
8	502495-000	Buttonholer Switch Screw Stud Washer
9	514687-451	Buttonholer Switch Screw Stud Nut
10	503286-000	Presser Bar Pressure Regulating Knob and Buttonholer Switch Bearing Plate cpl. with Harness 502369, 619605
11	502369-000	Presser Bar Pressure Regulating Knob and Buttonholer Switch Bearing Plate cpl. 502488, 503353, 503354, 503323, 506343 (2x), 514674-451, 503289-451, 514650-451, 421392, 421396, 514635-451
12	502488-000	Bearing Plate cpl. with Stud
13	503289-451	Needle Bar Recoil Spring
14	506343-000	Needle Bar Recoil Spring Washer
15	514650-451	Needle Bar Recoil Spring Screw
16	503354-000	Presser Bar Pressure Lever Hinge Screw (Eccentric)
17	503353-000	Presser Bar Pressure Lever cpl.
18	503323-000	Chain Stitch Thread Guide
19	506343-000	Chain Stitch Thread Guide Washer
20	514674-451	Chain Stitch Thread Guide Nut
21	514635-451	Skip Stitch Actuating Solenoid Screw
22	421392-000	Skip Stitch Actuating Solenoid Plunger Stop
23	421396-000	Skip Stitch Actuating Solenoid cpl.
24	619605-000	Skip Stitch Actuating Solenoid Harness cpl.
25	514560-451	Set Screw
26	514656-451	Buttonhole Switch Screw Stud
27	619636-000	Insulating Tube
28	507890-000	Ty-rap (Wire Strap)
29	502364-000	Needle Bar Vibrating Bracket Hinge Pin (Eccentric) cpl.
30	506199-000	Needle Bar Vibrating Bracket Hinge Pin (Eccentric) Retaining Ring (upper)
31	503288-000	Needle Bar Vibrating Bracket Hinge Pin (Eccentric) Collar cpl.
32	514685-451	Needle Bar Vibrating Bracket Hinge Pin (Eccentric) Collar Set Screw
33	503281-000	Needle Bar
34	163822-000	Needle Bar Clip
35	502349-000	Needle Bar Latch Carrier Spring
36	421201-000	Needle Bar Latch Carrier cpl.
37	514657-000	Needle Bar Latch Carrier Socket Screw Stud cpl.
38	502464-000	Needle Bar Latch Spring
39	514529-833	Needle Bar Latch Adjusting Pin (Eccentric) Set Screw
40	421202-000	Damping Washer
41	503360-000	Needle Bar Latch Releasing Lever Circular Clip
42	502348-000	Needle Bar Latch Releasing Lever
43	503246-000	Needle Bar Latch Releasing Lever Spring
44	502324-000	Needle Bar Ball Bushing (lower)
45	507379-000	Needle Bar Ball Bushing (lower) Socket (lower)
46	502485-000	Needle Bar Ball Bushing (lower) Adjusting Collar
47	050311-830	Needle Bar Ball Bushing (lower) Adjusting Set Screw
48	502379-000	Thread Guide (lower) cpl.
49	163431-000	Needle Clamp Thread Guide
50	141453-829	Needle Clamp Body, Needle Clamp Thread Guide and Needle Stop Screw
51	511279-000	Needle Clamp cpl. 506142, 511171-829
52	506142-000	Needle Clamp Body
53	511171-829	Needle Thumb Screw

# 4

## List of Parts for 1100G3 Machine

Pos. No.	Part No.	Description
1	312270-000	Needle Bar Driving Arm Extension Retaining Spring
2	421291-000	Needle Bar Vibrating Bracket with Needle Bar Driving Arm cpl. 502335, 503319, 502356, 506343, 514650-451, 502387, 155577, 514635-451, 421222
3	421222-000	Needle Bar Driving Arm cpl.
4	502387-000	Needle Bar Driving Arm Stud Positioning
5	155577-000	Needle Bar Driving Arm Positioning Stud Washer
6	514635-451	Needle Bar Driving Arm Positioning Stud Screw
7	514650-451	Needle Bar Driving Arm Ball Joint Set Screw
8	506343-000	Needle Bar Driving Arm Ball Joint Washer
9	502356-000	Needle Bar Driving Arm Ball Joint
10	503319-000	Needle Bar Driving Arm Ball Joint Spring
11	502335-000	Needle Bar Driving Bracket cpl.
12	421292-000	Bight Drive Linear Motor with Bracket, Safety Solenoid and Harness cpl. 421293-001, 619606
13	619606-000	Bight Drive Linear Motor Safety Solenoid Harness cpl.
14	421293-001	Bight Drive Linear Motor with Bracket and Safety Solenoid cpl. 503318, 514648-451, 382639, 514676-451, 421294, 619612
15	382639-000	Needle Bar Driving Arm Positioning Lever
16	514676-451	Needle Bar Driving Arm Positioning Lever Screw (2x)
17	421294-000	Bight Drive Linear Motor with Bight Driving Arm 421223-900
18	514648-451	Bight Drive Linear Motor Mounting Screw (2x)
19	619612-000	Bight Drive Linear Motor Harness (Extension)
20	503318-000	Bight Drive Linear Motor Bracket with Safety Solenoid 503383, 503372, 514671-451, 421227
21	502383-000	Bight Drive Linear Motor Bracket
22	514671-451	Needle Bar Driving Arm Safety Solenoid Screw
23	421227-000	Needle Bar Driving Arm Safety Solenoid Screw Washer
24	503372-000	Needle Bar Driving Arm Safety Solenoid
25	514682-451	Bight Drive Linear Motor Bracket Screw (front)
26	514560-451	Bight Drive Linear Motor Bracket Screw (Back)

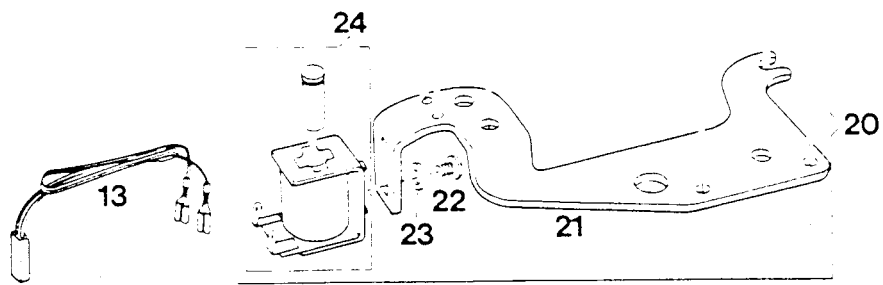


12

14

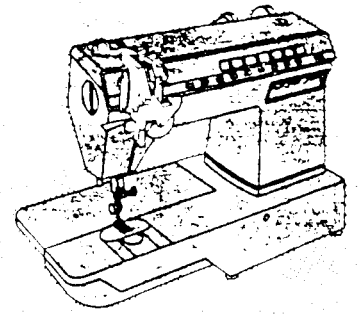
25

26

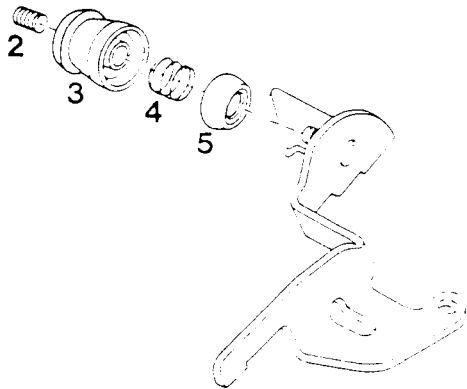


# 5

# 1100 G3



1



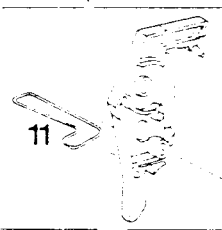
6

9

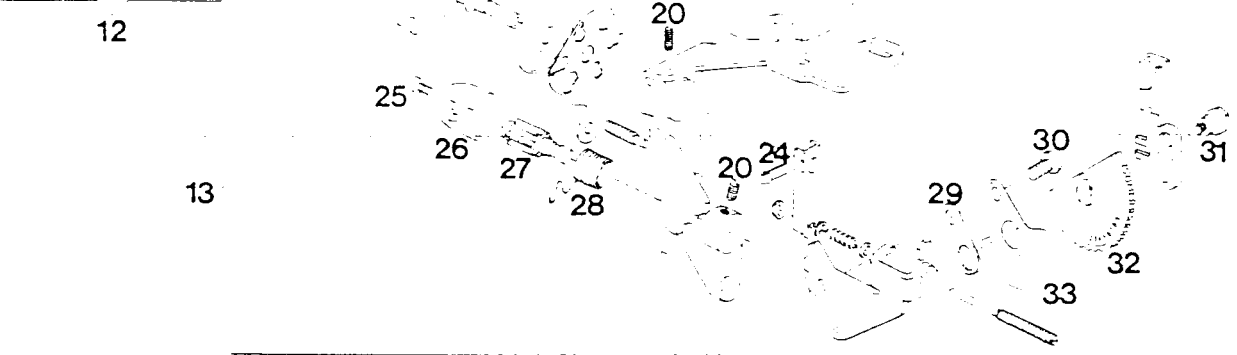
8

7

10



12



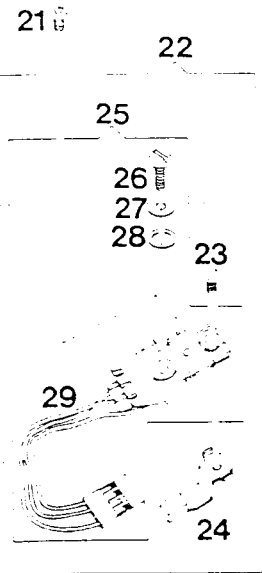
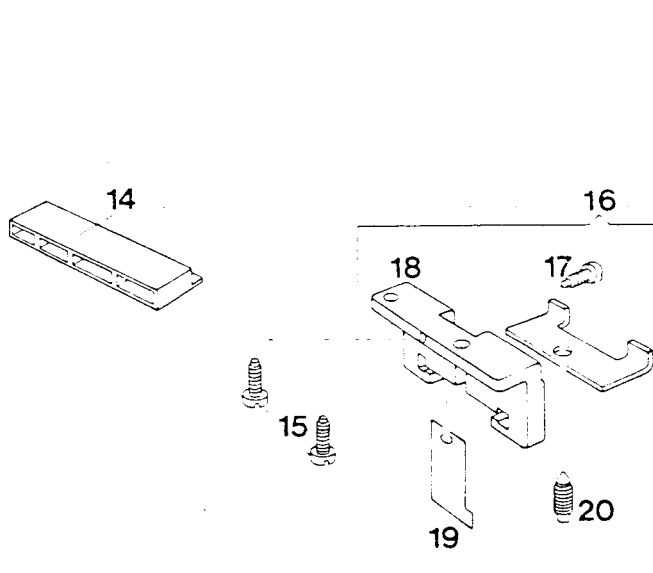
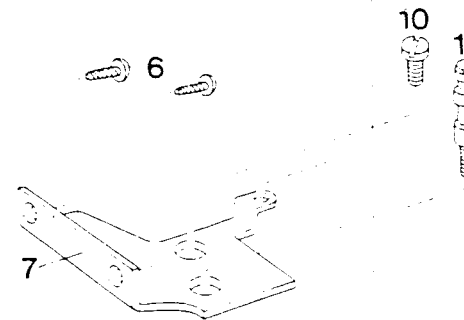
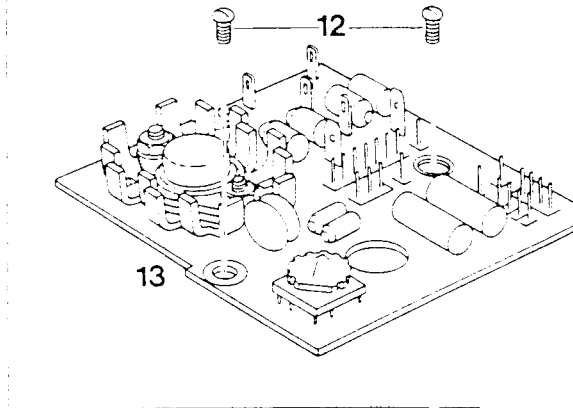
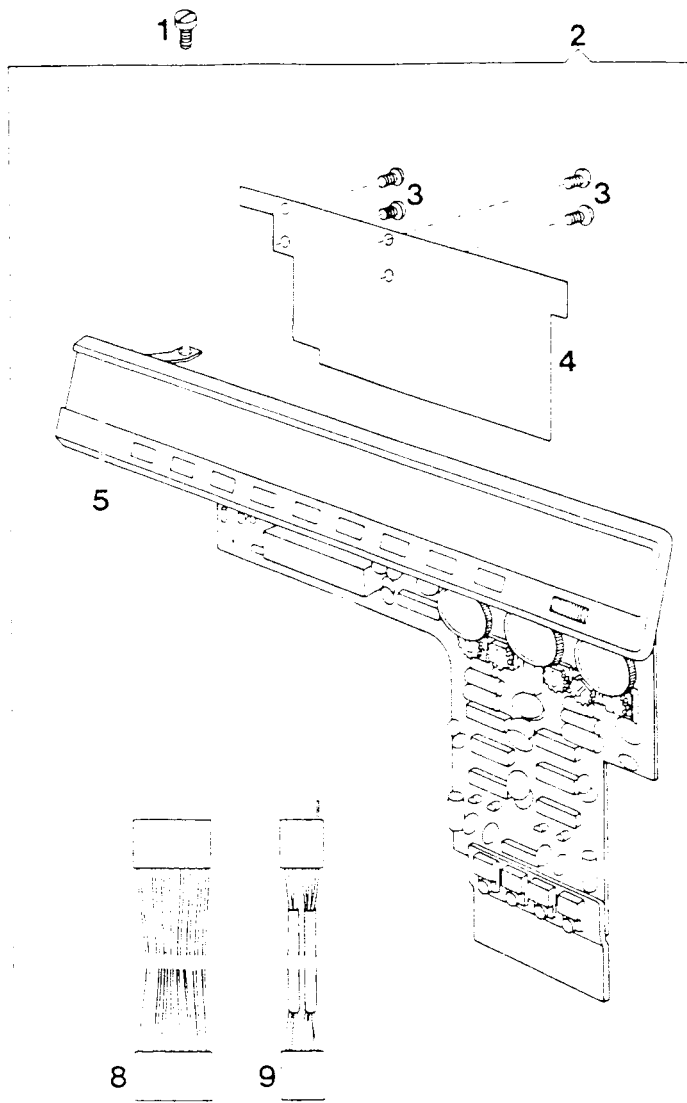
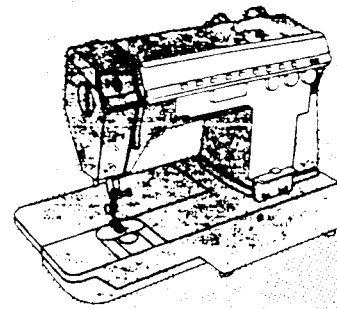
34

Pos. No.	Part No.	Description
1	514667-451	Pretension Mounting Screw
2	141822-451	Pretension Cap Set Screw
3	382690-000	Pretension Cap
4	174418-000	Pretension Spring
5	045915-000	Pretension Disc
6	421475-000	Pretension cpl.
7	514678-451	Tension Screw
8	514560-451	Tension Screw
9	421277-452	Tension (Graduated Adjustable) cpl. 421278-452, 502428-451, 514639-451
10	514639-451	Thread Take-up Spring Guard Screw
11	502483-000	Thread Take-up Spring Thread Guard Bar
12	502428-451	Thread Take-up Spring Thread Guard cpl.
13	421278-452	Tension cpl.
14	174398-000	Tension Disc Pressure Plate
15	181857-000	Tension Disc Pressure Pin
16	382586-000	Tension Disc (Small) (2x)
17	503273-000	Tension Disc (Large)
18	503270-000	Tension Stud
19	502430-451	Tension Guide Plate
20	514645-451	Tension Stud Bushing Screw (2x)
21	502424-000	Tension Releasing Lever cpl.
22	514509-830	Tension Releasing Lever Screw
23	502422-000	Tension Release Actuating Lever cpl.
24	172906-000	Tension Regulating Slide Plate Spring Clip
25	354049-451	Thread Take-up Spring Adjusting Screw
26	181861-451	Thread Take-up Spring Cap and Slack Thread Regulator
27	181875-000	Thread Take-up Spring Stud and Positioning Collar
28	181872-000	Thread Take-up Spring
29	381933-000	Tension Indicator Spacer
30	514635-451	Tension Indicator Screw
31	514669-451	Tension Indicator Dial Hinge Screw
32	421403-452	Tension Indicator Dial (with Graphics)
33	182222-000	Tension Indicator
34	514670-451	Tension Screw

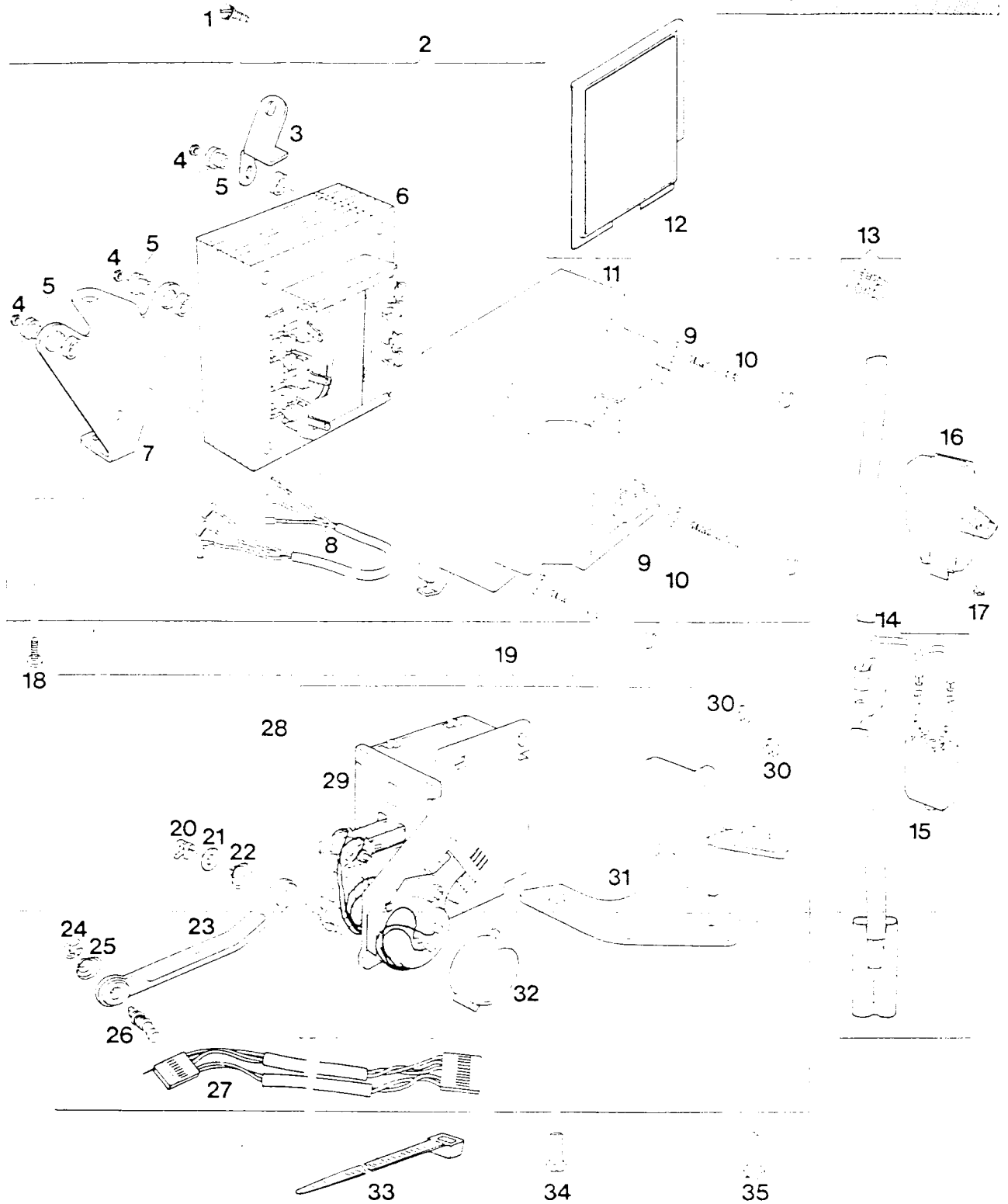
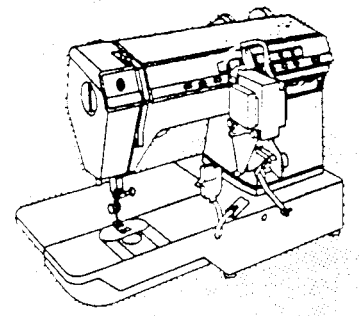
# 6

## List of Parts for 1100G3 Machine

Pos. No.	Part No.	Description
1	514664-451	Pattern Selection Button Carrier (Assy) with P. C. Board Screw (front)
2	619681-000	Pattern Selector Button Carrier (Assy) with P. C. Board and Harness cpl. 514719-001, 503263, 605399-001, 514704-002 (2x), 421486, 619649, 619652
3	514719-001	Control P. C. Board Assy. Fastening Screw
4	503263-001	Control P. C. Board Insulation
5	605399-001	Pattern Selection Button Carrier (Assy) with P. C. Board
6	514704-002	Control P. C. Board Bracket Fastener Screw
7	421486-000	Control P. C. Board Bracket
8	619649-000	Harness cpl. P. C. Board Power Supply Board
9	619652-000	Harness cpl. P. C. Board - Feed Drive Linear Motor
10	514543-451	Pattern Selection Button Carrier (Assy) with P. C. Board Screw (back)
11	514647-451	Arm Top Cover Mounting Screw
12	514719-001	Power Supply P. C. Board Screw (back, front)
13	605141-002	Power Supply P. C. Board Assembly
14	421402-000	Molex Housing Frame
15	514639-451	Transistor Heat Sink Connecting Bracket Screw (2x)
16	421498-000	Transistor Heat Sink Connecting Bracket: cpl. 514650-451, 604838-003, 604877-001, 604878-001
17	514650-451	Heat Sink Clamp Retaining Spring Screw
18	604838-003	Transistor Heat Sink Connecting Bracket (machined)
19	604877-001	Transistor Heat Sink Clamp Retaining Ring
20	604870-001	Transistor Heat Sink Clamp Screw
21	514676-451	Sensor Screw
22	619663-000	Sensor Switch with Magnetic Bracket cpl.
23	354049-451	Magnet Mounting Bracket Screw
24	604812-001	Magnet and Bracket Assembly 604812-001, 354049-451
25	619673-000	Sensor Switch with Holding Block cpl. 619674, 605171-901, 383073, 931929-004, 354579-451
26	354579-451	Sensor Mounting Screw
27	931929-004	Sensor Mounting Washer
28	383073-000	Sensor Mounting O-Ring
29	619674-000	Sensor Switch with Harness cpl.







Pos. No.	Part No.	Description	
1	514670-451	Transformer Bracket (upper) Screw	
2	502409-001	Transformer cpl. 220V with Bracket (upper and lower) 503244, 514607 (3x), 502411 (3x), 503250-001, 503316, 619615, 502495 (3x), 514660-451 (3x), 502410	
	-002	Transformer cpl. 240 V with Bracket (upper and lower) (Standard) 503244, 514607 (3x), 502411 (3x), 503250-002, 503316, 619615, 502495 (3x), 514660-451 (3x), 502410	
	-003	Transformer cpl. 120 V with Bracket (upper and lower) 503244, 514607 (3x), 502411 (3x), 503250-003, 503316, 619615, 502495 (3x), 514660-451 (3x), 502410	
	-004	Transformer cpl. 240 V with Bracket (upper and lower) (Australia) 503244, 514607 (3x), 502411 (3x), 503250-007, 503316, 619615, 502495 (3x), 514660-451 (3x), 502410	
	-005	Transformer cpl. 100 V with Bracket (upper and lower) 503244, 514607 (3x), 502411 (3x), 503250-004, 503316, 619615, 502495 (3x), 514660-451 (3x), 502410	
3	503244-000	Transformer Bracket (upper)	
4	514607-000	Nut (3x)	
5	502411-000	Insulating Collar (3x)	
6	503250-001	Transformer 220 V	
	-002	Transformer 240 V	
	-003	Transformer 120 V	
	-004	Transformer 100 V	
	-007	Transformer 240 V Australia	
7	503316-000	Transformer Bracket (lower)	
8	619615-000	Harness cpl. Transformer Power Supply P.C. Board	
9	502495-000	Washer (3x)	
10	514660-451	Screw (3x)	
11	502410-000	Transformer Housing	
12	503262-000	Transformer Housing Cover	
			<b>Territory Code (see page 24)</b>
13	619626-002	Harness with Circuit cpl. 220/240 V . . . . .	A B C D E F . . . . . L . . . . . O P Q R S
	-001	Harness with Circuit cpl. 100/120 V . . . . .	A . . . . . F . . . . .
	-003	Harness with Circuit cpl. 240 V . . . . .	. . . . . K
	-004	Harness with Circuit cpl. 100/120 V . . . . .	. . . . . G . . . . . M

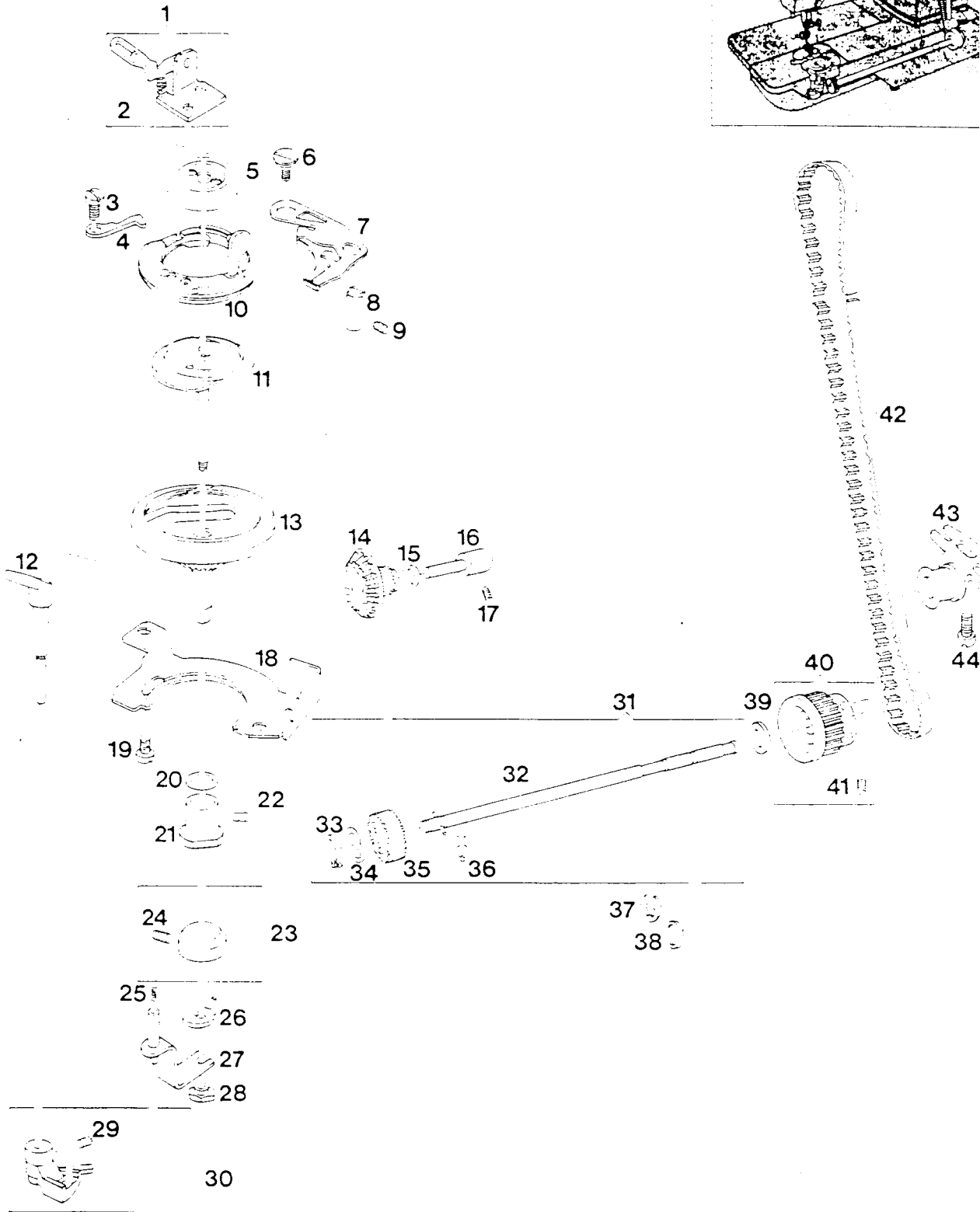
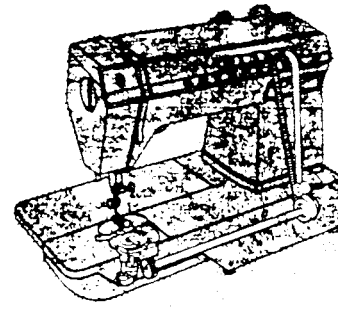
**Part to be ordered directly from Bonnières**

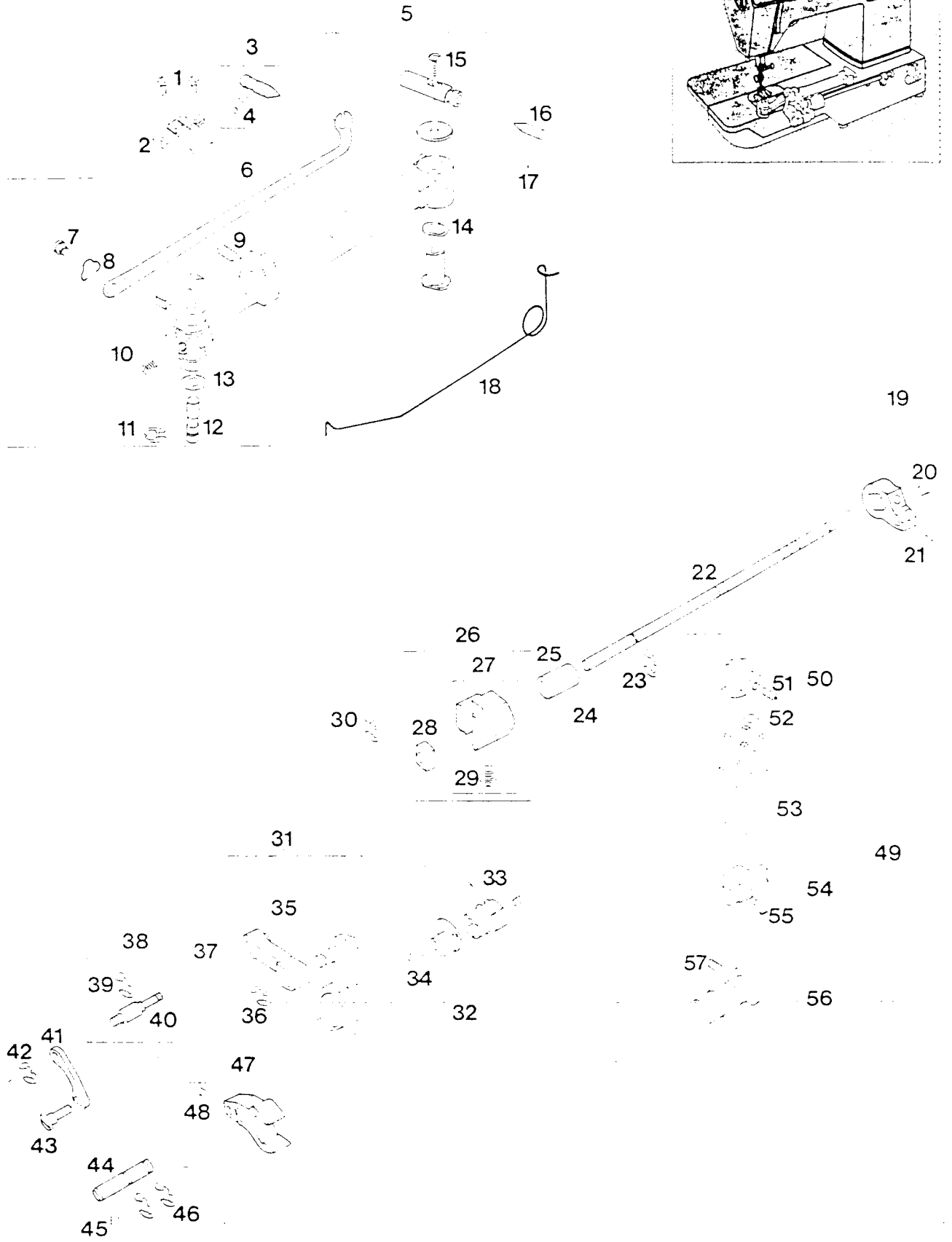
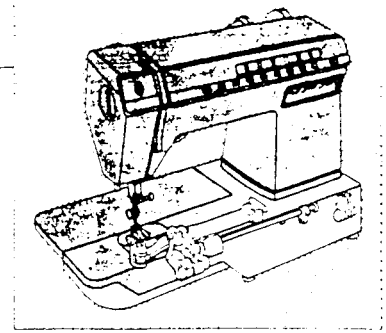
14	604957-001	Harness cpl. Motor-Transformer . . . . .	A B C D E F . . . . . L . . . . . O P Q R S
	-002	Harness cpl. Motor-Transformer . . . . .	. . . . . K
	-003	Harness cpl. Motor-Transformer . . . . .	. . . . . G . . . . . M

15	503247-001	Circuit Breaker 220/240 V (0.2 AMP) . . . . .	A B C D E F . . . . . K L . . . . . O P Q R S
	-002	Circuit Breaker 110 V (0.4 AMP) . . . . .	A . . . . . F G . . . . . M
16	502393-000	Circuit Breaker Housing	
17	507359-000	Circuit Breaker Housing Retaining Ring	
18	514681-451	Transformer Bracket Lower Screw	
19	421283-000	Feed Drive Linear Motor cpl. 421326, 421020, 503255, 503338, 507343, 312347, 503336, 382330, 618655	
20	382330-000	Feed Regulator Shaft Crank Connecting Link Retaining Clip	
21	312347-000	Feed Regulator Shaft Crank Connecting Link Tension Spring Retainer Washer	
22	503338-000	Feed Regulator Shaft Crank Connecting Link Tension Spring	
23	421020-000	Feed Regulator Shaft Crank Connecting Link cpl.	
24	507343-000	Feed Regulator Shaft Crank Connecting Link Retaining Ring	
25	503338-000	Feed Regulator Shaft Crank Link Joint Spring	
26	503255-000	Controlling Lever Ball Stud (eccentric)	
27	619655-000	Harness cpl. Control P.C. Board Feed Linear Motor	
28	421226-000	Feed Drive Linear Motor cpl. with Bracket 503396, 141824-814 (2x), 383212, 382909	
29	383212-000	Linear Motor Housing Assembly (Feed)	
30	141824-814	Feed Drive Linear Motor Screw (2x)	
31	503396-000	Feed Drive Linear Motor Bracket (lower)	
32	382909-000	Linear Motor Potentiometer Cap (plastic)	
33	507890-000	Ty-Rap	
34	514686-451	Linear Motor Bracket Screw	
35	514560-451	Linear Motor Bracket Screw	

## List of Parts for 1100G3 Machine

Pos. No.	Part No.	Description
1	153036-000	Thread Pull-off cpl.
2	503395-000	Thread Pull-off Spring
3	514507-452	Rotating Hook Bobbin Case Position Finger Screw
4	153022-000	Rotating Hook Bobbin Case Position Finger
5	506417-000	Rotating Hook Bobbin cpl.
6	514715-451	Rotating Hook Bobbin Case Cushion Spring Bracket Hinge Screw
7	421225-000	Rotating Hook Bobbin Case Cushion Spring Bracket
8	153043-000	Rotating Hook Bobbin Case Cushion Spring Bracket Adjusting Stud (eccentric)
9	000624-830	Rotating Hook Bobbin Case Cushion Spring Bracket Adjusting Stud (eccentric) Set Screw
10	153143-000	Rotating Hook Bobbin Case cpl.
11	503361-000	Rotating Hook Bobbin Driver cpl.
12	153406-452	Rotating Hook Bobbin Winder Lever Shaft with Lever (molded)
13	153021-000	Rotating Hook cpl.
14	155732-000	Rotating Hook Drive Bevel and Helical Gear (plastic)
15	507999-000	Rotating Hook Drive Bevel and Helical Gear Stud (eccentric) Washer
16	155729-000	Rotating Hook Drive Bevel and Helical Gear (plastic) Stud (eccentric)
17	000449-830	Rotating Hook Drive Bevel and Helical Gear Stud Set Screw
18	421209-000	Rotating Hook Drive Gear Cover Plate
19	000208-833	Thread Pull-off Mounting Bracket Screw
20	506164-000	Damping Washer
21	506173-000	Rotating Hook Flange Bushing (eccentric)
22	514532-451	Rotating Hook Flange Bushing (eccentric) Set Screw
23	153034-000	Rotating Hook Retaining Collar cpl.
24	000624-830	Rotating Hook Retaining Collar Set Screw
25	511175-000	Rotating Hook Bobbin Winder Actuating Lever Shaft Cam Follower Spring
26	163247-000	Rotating Hook Bobbin Driver Locator
27	153411-000	Rotating Hook Bobbin Winder Lifting Bracket Assembly cpl.
28	500799-452	Rotating Hook Bobbin Driver Locator Nut
29	514509-830	Rotating Hook Bobbin Winder Actuating Lever Shaft Screw
30	153408-000	Rotating Hook Bobbin Winder Actuating Lever Shaft Cam cpl.
31	421411-000	Feed and Rotating Hook Drive Shaft with Helical Gear cpl. 421406, 507685, 507684, 507800, 502744
32	421406-000	Feed and Rotating Hook Drive Shaft cpl.
33	507685-000	Feed and Rotating Hook Drive Shaft Helical Gear (plastic, front) Retaining Ring
34	507684-000	Feed and Rotating Hook Drive Shaft Helical Gear (plastic, front) Spring Washer
35	507800-000	Feed and Rotating Hook Drive Shaft Helical Gear (plastic, front)
36	502744-000	Feed and Rotating Hook Drive Shaft Helical Gear (plastic, front) Retaining Ring
37	502744-000	Feed and Rotating Hook Drive Shaft Retaining Ring
38	511384-000	Feed and Rotating Hook Drive Shaft Washer
39	506164-000	Damping Washer
40	507900-000	Feed and Rotating Hook Drive Shaft Belt Drive Pulley cpl.
41	514556-451	Feed and Rotating Hook Drive Shaft Belt Drive Pulley Screw (2)
42	507904-000	Feed and Rotating Hook Drive Shaft Belt
43	507905-000	Arm Shaft Belt Idler Pulley Bracket cpl.
44	514550-451	Arm Shaft Belt Idler Pulley Bracket Screw



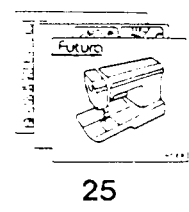
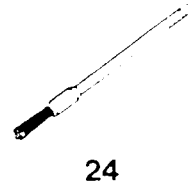
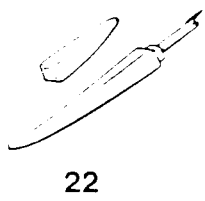
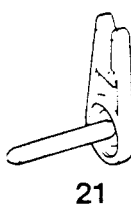
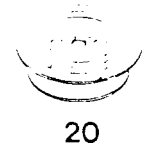
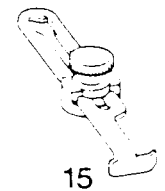
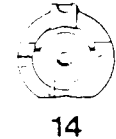
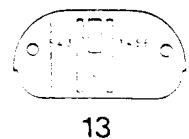
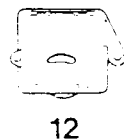
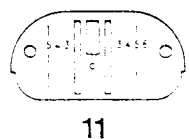
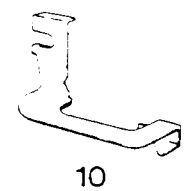
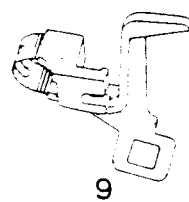
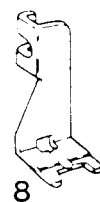
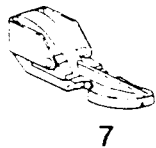
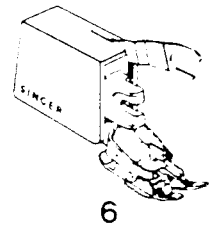
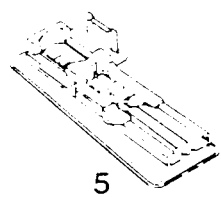
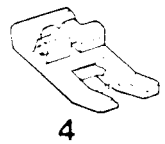
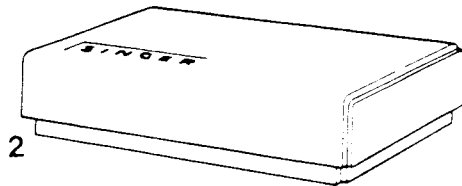
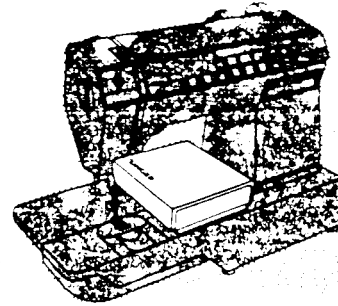


Pos. No.	Part No.	Description
1	379505-451	Feed Dog Screw (2x)
2	506194-000	Feed Dog (machined)
3	502310-000	Feed Bar Guide Pin (eccentric) Center cpl.
4	511213-000	Feed Bar Guide Pin (eccentric) Center (back) Retaining Ring
5	507826-000	Feed Bar cpl. 174216, 500356-850, 511075, 000448-830, 000624-830, 511213, 511052, 511210, 511211, 514692-451
6	174216-000	Feed Dog Holder Compensating Link
7	500356-850	Feed Dog Holder Compensating Link Screw Stud
8	511075-000	Feed Dog Holder Compensating Link Retaining Spring
9	000448-830	Feed Bar Connection and Feed Lifting Fork Connection Hinge Stud (eccentric) Set Screw
10	000624-830	Feed Dog Holder Stud Screw
11	511213-000	Feed Dog Holder Stud Retaining Ring
12	511052-000	Feed Dog Holder Stud
13	511210-000	Feed Dog Holder Washer
14	511211-000	Feed Bar Guide Hinge Pin Spring Washer
15	514692-451	Feed Bar Hinge Pin Fillister Screw
16	507917-000	Feed Bar Guide Pin (eccentric) Center (front)
17	514556-451	Feed Bar Guide Pin (eccentric) Center (front) Set Screw
18	503290-000	Feed Bar Guide Pin Spring
19	502403-000	Feed Regulator Shaft Controlling Lever cpl.
20	514654-451	Feed Regulating Shaft Controlling Lever Set Screw
21	514645-451	Feed Regulating Shaft Controlling Lever Stud (eccentric) Set Screw
22	421407-000	Feed Regulator Shaft
23	502744-000	Feed Regulator Shaft Retaining Ring
24	000448-830	Feed Regulator Shaft Bushing Set Screw
25	511331-000	Feed Regulator Shaft Bushing (front)
26	503344-000	Feed Regulator and Feed Regulator Slide Block cpl. 503340, 511030
27	503340-000	Feed Regulator cpl.
28	511030-000	Feed Regulator Slide Block
29	500391-803	Feed Regulator Set Screw
30	507063-000	Feed Bar Connection Ball Bearing Retaining Ring
31	507936-000	Feed Bar Connection with Eccentric cpl. 507903, 511482
32	507903-000	Feed Lifting Cam Feed (eccentric) cpl.
33	514556-451	Feed Lifting Cam and Feed (eccentric) Set Screw (2x)
34	514632-451	Feed Lifting Cam and Feed (eccentric) Screw
35	511482-000	Feed Bar Drive Connection cpl.
36	511213-000	Feed Regulator Slide Block Stud Retaining Ring
37	507722-000	Feed Bar Connection Spring Washer
38	511076-000	Feed Bar Connection and Feed Lifting Fork Connection Hinge Stud (eccentric) cpl. 511213, 511044
39	511213-000	Feed Bar Connection and Feed Lifting Fork Connection Hinge Stud (eccentric) Retaining Ring
40	511044-000	Feed Bar Connection and Feed Lifting Fork Connection Hinge Stud (eccentric)
41	511016-000	Feed Lifting Fork Connection
42	507063-000	Feed Lifting Fork Connection Retaining Ring
43	511056-000	Feed Lifting Fork Connection Hinge Stud (eccentric)
44	511057-000	Feed Lifting Fork Hinge Stud
45	000449-830	Feed Lifting Fork Hinge Stud Set Screw
46	511213-000	Feed Lifting Fork Hinge Stud Retaining Ring (2x)
47	503325-000	Feed Lifting Fork cpl.
48	514685-451	Feed Lifting Fork Connection Hinge Stud (eccentric) Set Screw
49	503369-000	Feed Regulator Shaft Stabilizer cpl. 383079, 383084, 383085, 503370, 503371
50	383079-000	Feed Regulator Shaft Locking Hub cpl. with 354660-451
51	354660-451	Feed Regulator Shaft Locking Hub Screw
52	383084-000	Feed Regulator Locking Disc
53	383085-000	Feed Regulator Lock Guide
54	503370-000	Feed Regulator Shaft Brake Adjusting Block cpl. with 514684-451
55	514684-451	Feed Regulator Shaft Brake Adjusting Block Screw
56	503371-000	Feed Lock Cam cpl. with 514556-451
57	514559-451	Feed Lock Cam Screw

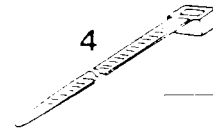
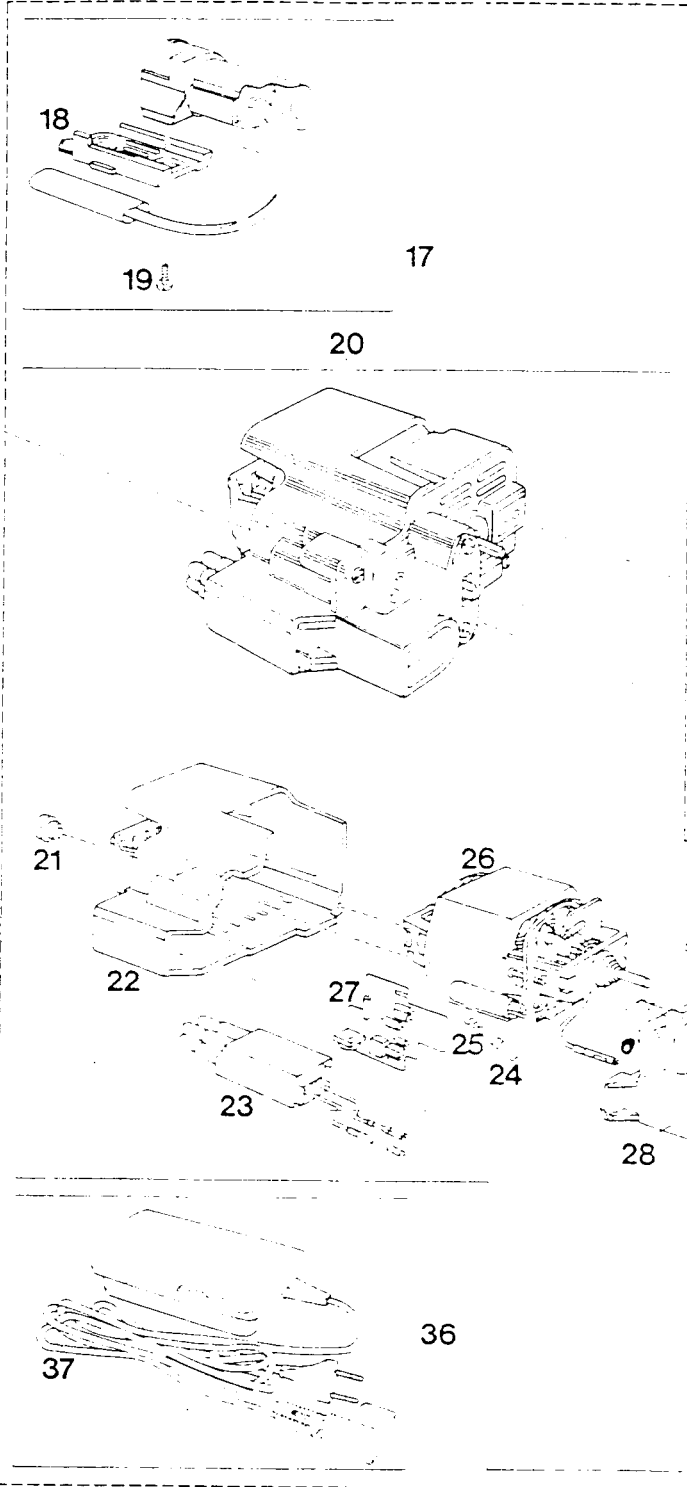
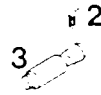
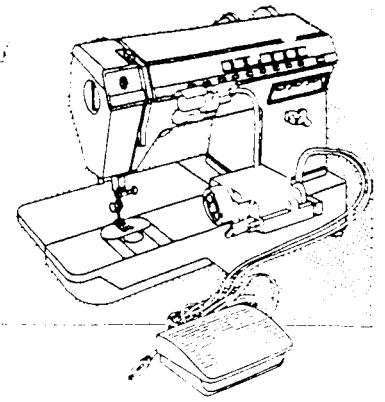
List of Parts for 1100 G3 Machine

Pos. No.	Part No.	Description
1	421412-000	Attachment Set cpl. Packed in Attachment Box No. 506206-452, 502277, 171463, 421284-451, 506415-452, 171480, 381066, 507909, 171110, 506230, 381398, 506231, 507742, 161172, 511112-451, 507664-454, 503277, 381275, 506417, 381114-451, 503407, 161977-452, 501750 and 421518
2	506206-452	Attachment Box cpl.
3	502277-452	Straight Stitch Presser Foot Plate cpl.
4	171463-000	Special Purpose Presser Foot Plate (Snap-on Plastic) cpl.
5	421284-451	Buttonhole Presser Foot (1-step) cpl.
6	506415-452	<u>Even Feed Foot</u> cpl.
7	171480-000	Presser Foot Plate for Cording and Slide Fasteners cpl.
8	381066-000	Presser Foot for Button Sewing
9	507909-000	Darning and Embroidery Foot
10	171110-000	Blind Stitch Guide
11	506230-000	Throat Plate for Straight Stitch
12	381398-000	Feed Cover Plate for Darning
13	506231-000	Throat Plate for Chainstitch cpl.
14	507742-000	Chainstitch Loop Retaining Insert
15	161172-000	Seam Guide
16	511112-451	Arm Top Cover Spool Pin Thread Lead-off cpl.
17	507664-454	Arm Top Cover Spool Pin Thread Lead-off (small)
18	503277-000	Needle Threader cpl.
19	381275-000	Needle Pack (Plastic) Containing: Cat. 2020 size 11, 14, 16 Cat. 2025 size 14 Cat. 2045 size 14
20	506417-000	Rotating Hook Bobbin (4x)
21	381114-451	Spool Pin for Twin Needle Sewing
22	503407-000	Seam Ripper
23	161977-452	Screw Driver (Hook Tension)
24	501750-000	Lint Brush
25	421518-001	Instruction Book German
	-002	Instruction Book English
	-003	Instruction Book Norwegian
	-004	Instruction Book Swedish
	-005	Instruction Book Finnish
	-006	Instruction Book Danish
	-007	Instruction Book Dutch
	-009	Instruction Book French
	-010	Instruction Book Italian
	-012	Instruction Book Greek
	-014	Instruction Book Spanish

1







6

8

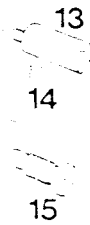


5



7

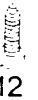
9



13

14

15



12

10

11



**MARKETING TERRITORIES****(Territory Code)****A** 105 V 115 V 220 V 240 V

Aden  
 Antilles  
 Bahrain  
 Burma  
 Cambodia  
 Cameroun  
 Congo  
 Equat. E. Africa  
 Ethiopia  
 Ghana  
 Guiana  
 Hong-Kong  
 India  
 Indonesia  
 Iran  
 Iraq  
 Italian Somaliland  
 Ivory Coast  
 Jordan  
 Kenya  
 Korea  
 Kuwait  
 Lebanon  
 Laos  
 Liberia  
 Libya  
 Madagascar  
 Malaysia  
 Mali  
 Mauritius  
 Morocco  
 Niger  
 Nigeria  
 Pakistan  
 Portuguese E. Africa  
 Portuguese W. Africa  
 Rhodesia  
 Saudi Arabia  
 Sierra Leone  
 Sri Lanka (Ceylon)  
 Sudan  
 Surinam  
 Tanzania  
 Taiwan  
 Tangiers  
 Thailand  
 Togoland  
 Tunisia  
 Uganda  
 United Arab Rep  
 Upper Volta  
 Vietnam

**B** 220 V

South Africa

**C** 220 V 240 V

New Zealand

**D** 240 VGreat Britain  
Malta**E** 220 V

Netherlands

**F** 220 V

Austria  
 Belgium  
 Denmark  
 Finland  
 Germany (+ 120 V)  
 Greece  
 Italy  
 Switzerland

**G** 120 VCanada  
United States**H** 120 V 220 V

Central America  
 Mexico  
 Philippines  
 South America (exc. Guyana)  
 West Indies

**K** 240 V

Australia

**L** 220 V

Norway

**M** 100 V

Japan

**P** 220 V

Albania  
 France  
 Iceland  
 Israel  
 Luxembourg  
 Monaco  
 Portugal  
 Spain  
 Turkey  
 Yugoslavia

**Q** 240 V

Cyprus

**R** 220 VDenmark  
Sweden**S** 220 V

Eire