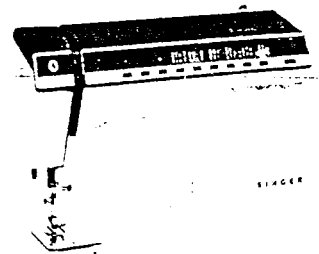


SINGER
1000

SINGER*

1021
1022 Series
see 500 Series

List of Parts



Futura*
Solid-state Electronic Sewing Machine

Model 1000

Form 30-836 G (676) Engl.
Part No. 0-503 301-002

Printed in Western Germany

SINGER GMBH
Zweigniederlassung Karlsruhe
Postfach 5640
D 7500 Karlsruhe

Phone 0721 60901
Telex 07 825 842

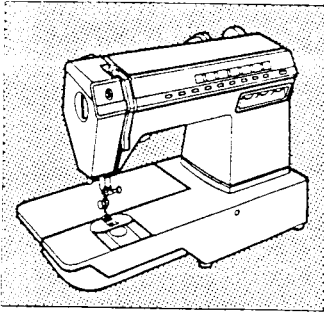
Contents

List of Parts Futura Model 1000

Group

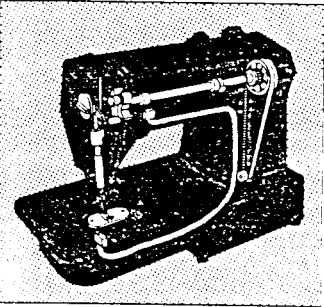
Page

1



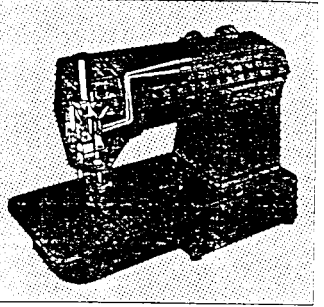
4

2



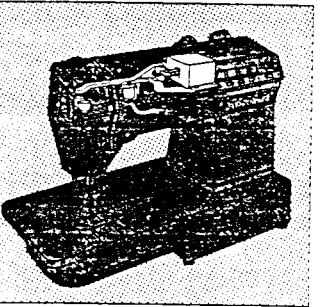
6

3



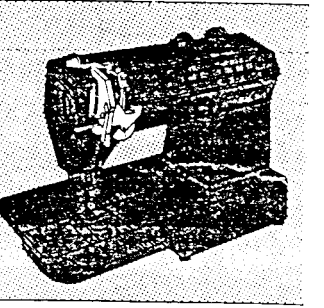
8

4



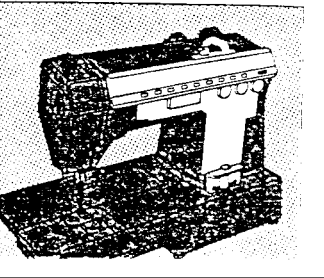
10

5



12

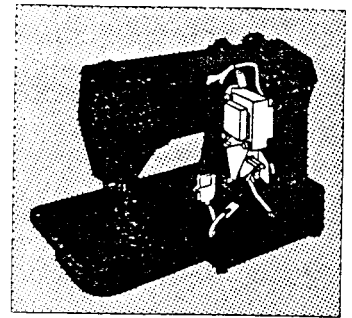
6



Group

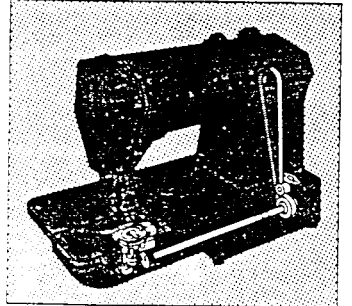
Page

7



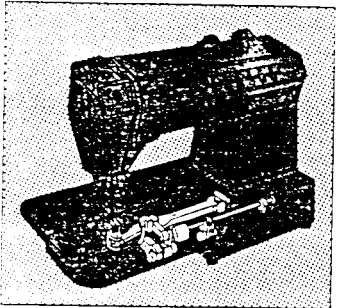
16

8



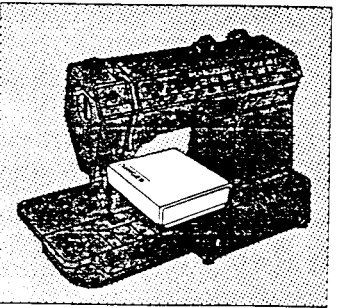
18

9



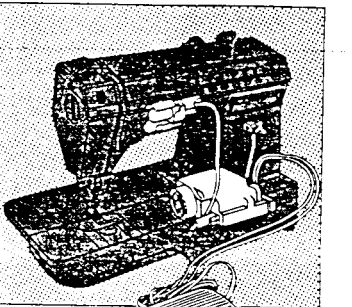
20

10



22

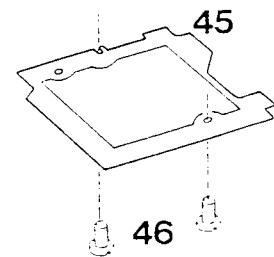
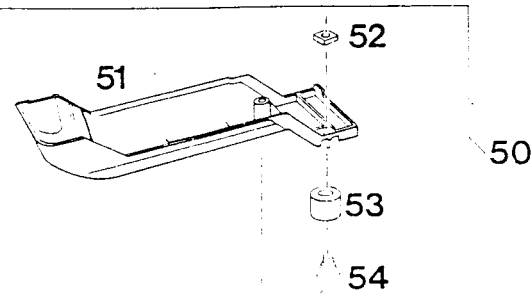
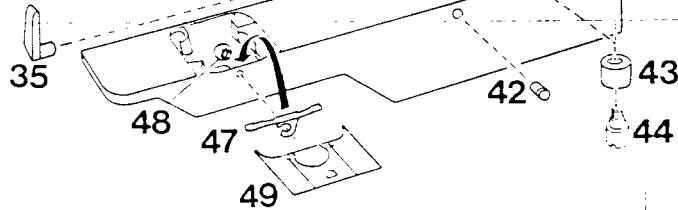
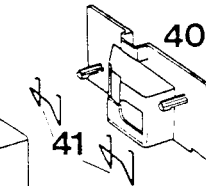
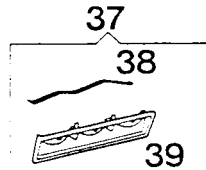
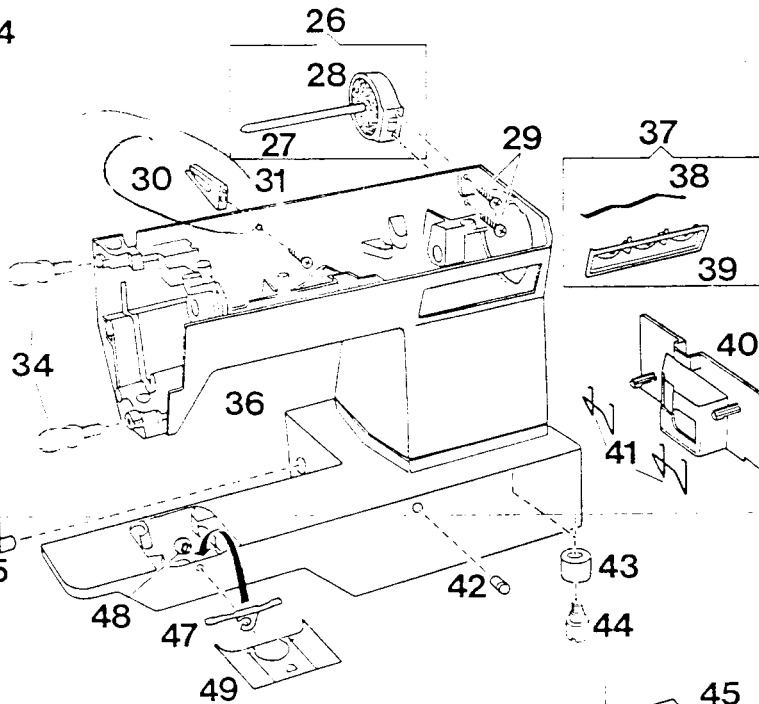
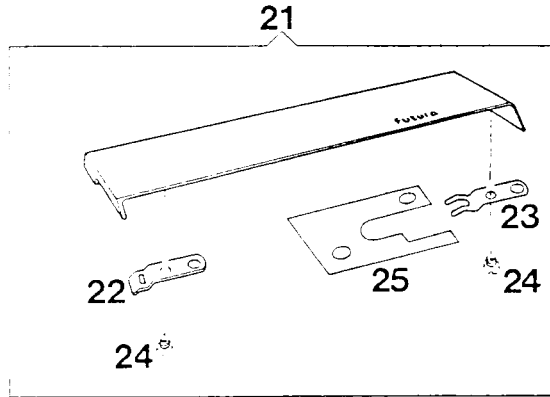
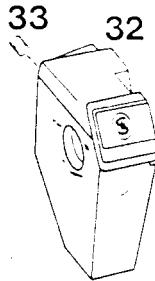
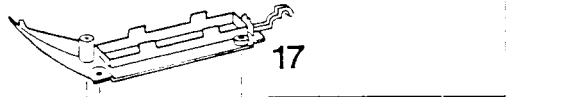
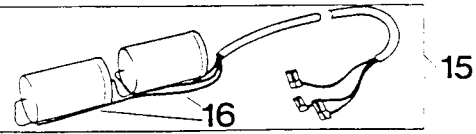
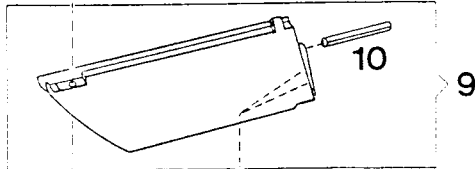
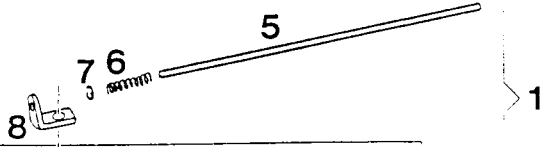
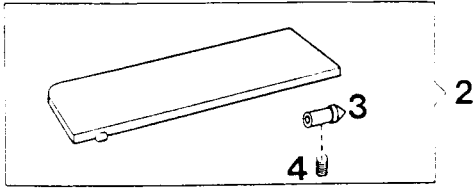
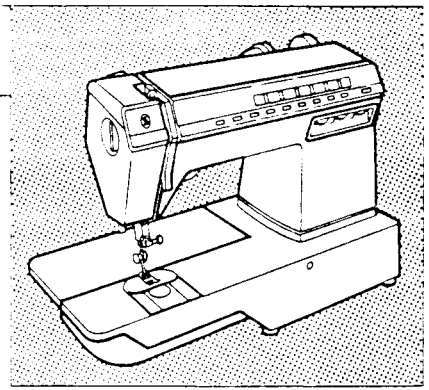
11



24

1

1000 G3



List of Parts for 1000 Machine

Pos. No.	Part No.	Description
1	502500-451	Bed (Convertible) Lid with Bed Leg (back) cpl. 502198-451, 502328, 514560-451, 502353, 502200, 507309, 502201 and 502203-451
2	<u>502198-451</u>	Bed (Convertible) Lid cpl. 502470, 514556-451
3	<u>502470-000</u>	Bed (Convertible) Lid Stud cpl.
4	514556-451	Bed (Convertible) Lid Set Screw
5	502200-000	Bed (Convertible) Lid Bracket Stud
6	502201-000	Bed (Convertible) Lid Bracket Compression Spring
7	507309-000	Bed (Convertible) Lid Bracket Retaining Ring
8	502328-000	Bed (Convertible) Lid Bracket
9	502203-451	Bed Leg (back) cpl.
10	506499-000	Bed Leg (back) Locating Pin
11	502353-000	Bed (Convertible) Lid Bracket Washer
12	514560-451	Bed (Convertible) Lid Bracket Screw
13	514629-451	Bed Leg (back) Screw (2x)
14	502472-451	Convertible Bed Leg Cover cpl. with Capacitor Unit 502329-451, 503251-000
15	503251-000	Capacitor with Harness cpl.
16	503252-000	Capacitor
17	502329-451	Convertible Bed Leg Cover
18	514670-451	Convertible Bed Leg Cover Screw (2x)
19	172203-000	Bed Leg (back) Cushion
20	514520-805	Bed Leg (back) Cushion Screw
21	502452-451	Arm Top Cover cpl. 502453-451, 503320, 502455, 502469, 514648
22	502469-000	Arm Top Cover Guide Plate
23	502455-000	Arm Top Cover Spring
24	514648-451	Arm Top Cover Screw (2x)
25	503320-000	Arm Top Cover Stabilizer Insulating Strip
26	502420-451	Arm Spool Pin cpl.
27	507139-452	Arm Spool Pin
28	503336-451	Arm Spool Pin Cushion
29	514675-451	Arm Spool Pin Screw (2x)
30	192238-451	Arm Top Cover Lid Thread Guide
31	514675-451	Arm Top Cover Lid Thread Guide Screw
32	502418-451	Face Plate cpl.
33	514509-830	Face Plate Screw (2x)
34	514655-451	Face Plate Mounting Screw (2x)
35	503324-451	Bed (Convertible) Lid Spacer
36	503328-451	Arm & Bed (Painted and Ornamented)
37	503285-451	Override Dial Panel cpl. 604824-451, 503284
38	503284-000	Override Dial Panel Spring
39	604824-000	Override Dial Panel
40	502445-451	Bed Cover Plate (right end)
41	511254-000	Bed Cover Plate (right end) Spring (2x)
42	511239-451	Bed Plug (Front, Plastic)
43	172203-000	Bed Cushion (2x)
44	140809-805	Bed Cushion Screw (2x)
45	502442-451	Bed Cover Plate (Bottom) cpl.
46	514670-451	Bed Cover Plate (Bottom) Screw (2x)
47	511077-000	Slide Plate Spring
48	514515-451	Slide Plate Spring Screw
49	506433-000	See-thru Slide Plate cpl.
50	502323-451	Bed Cover (Convertible) cpl. 502326-451, 172203, 514520-805, 500783
51	502326-451	Bed Cover (Convertible)
52	500783-000	Bed Cover (Convertible) Cushion Screw Nut
53	172003-000	Bed Cover (Convertible) Cushion
54	514520-805	Bed Cover (Convertible) Cushion Screw
55	500277-819	Bed Cover (Convertible) Screw

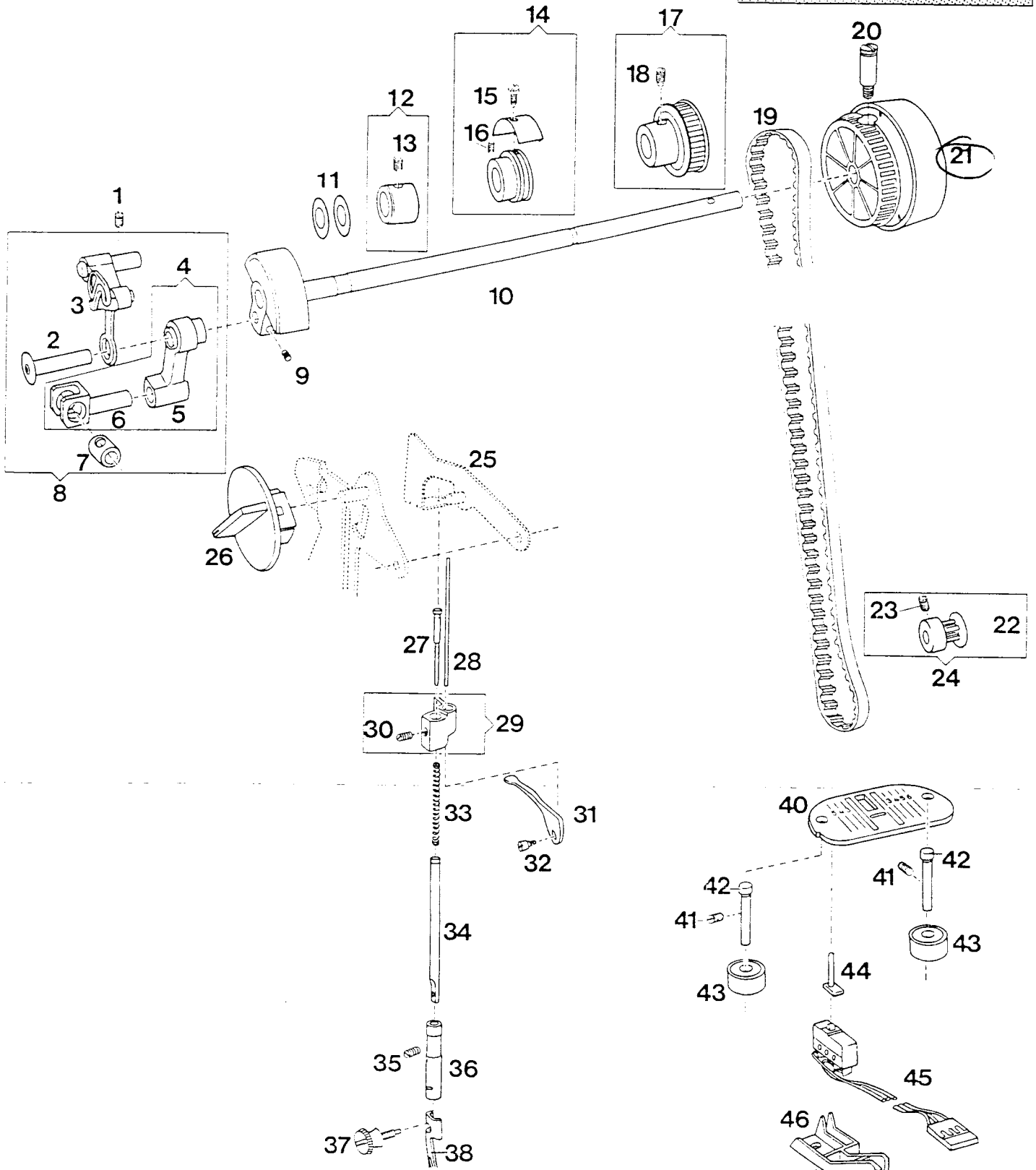
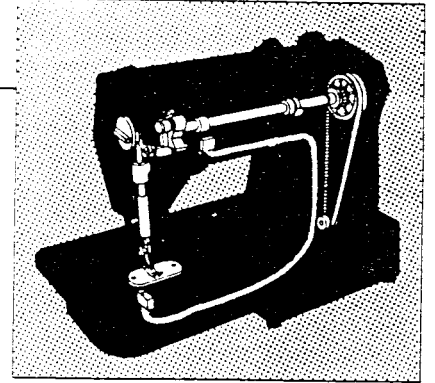
116
116030

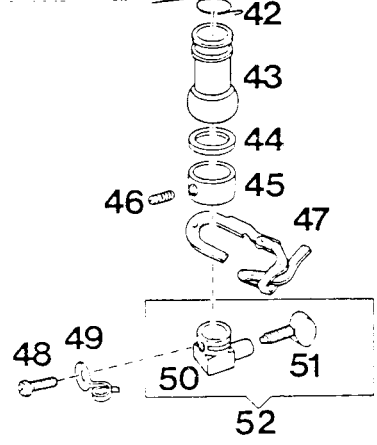
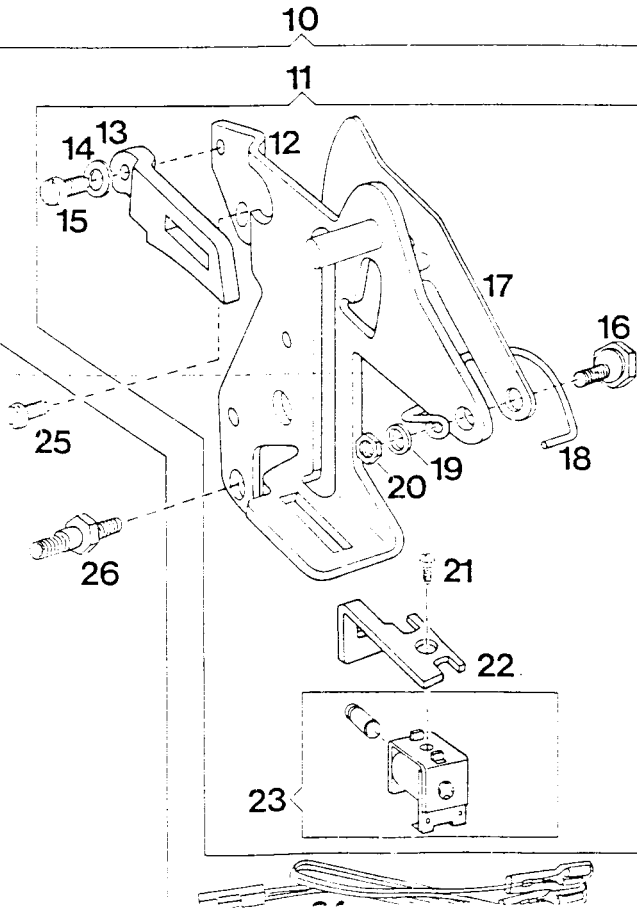
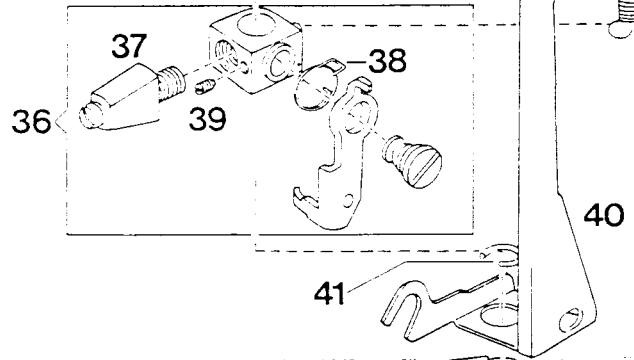
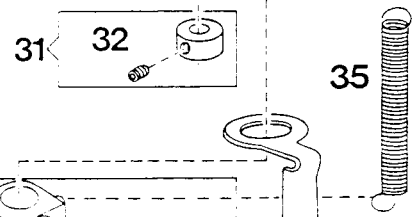
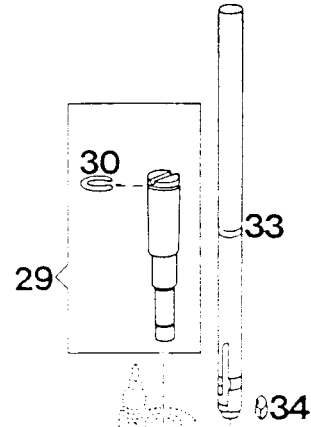
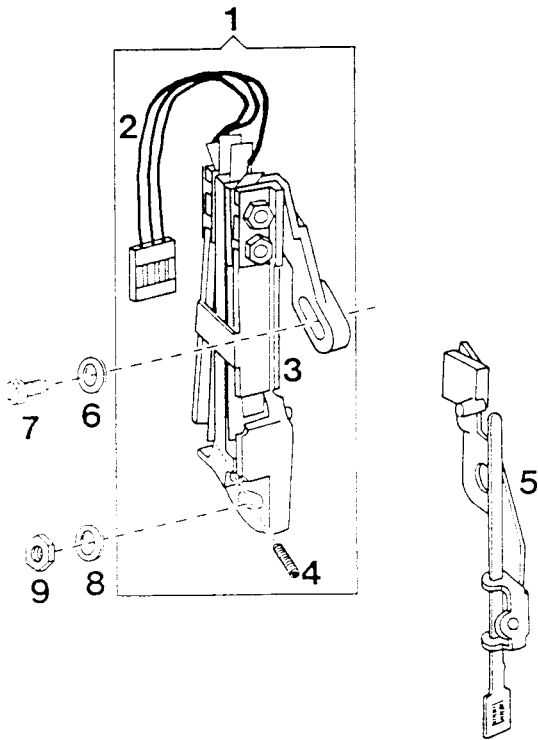
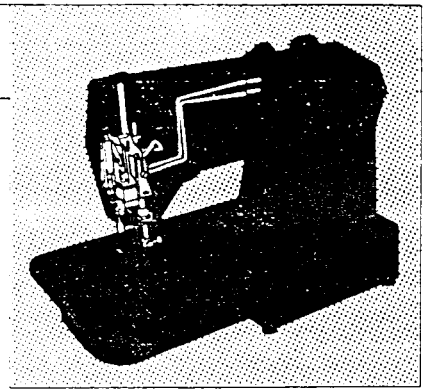
List of Parts for 1000 Machine

Pos. No.	Part No.	Description
1	514649-452	Thread Take-up Lever Link Hinge Stud Set Screw
2	511380-000	Thread Take-up Stud cpl.
3	502339-000	Thread Take-up Lever cpl. with Hinge Stud
4	502342-000	Needle Bar Connecting Link cpl. 507650, 502343
5	507650-000	Needle Bar Connecting Link
6	502343-000	Needle Bar Connecting Stud
7	172043-000	Needle Bar Connecting Hinge Pin
8	502338-000	Thread Take-up Lever cpl. with Needle Bar Connecting Link 511380, 502339, 502342, 507650, 502343, 172043
9	514556-451	Thread Take-up Stud Set Screw
10	502331-000	Arm Shaft (horizontal) with 514556-451
11	506163-000	Needle Bar Crank Washer (2x)
12	507894-000	Arm Shaft (horizontal) Collar cpl.
13	514556-451	Arm Shaft (horizontal) Collar Set Screw
14	502333-000	Synchroniser cpl.
15	514662-451	Synchroniser Screw
16	514654-451	Synchroniser Set Screw
17	507895-002	Arm Shaft Belt Drive Pulley with Screw cpl.
18	514562-451	Arm Shaft Belt Drive Pulley Screw
19	603975-000	Hand Wheel Drive Belt
20	514566-451	Hand Wheel Set Screw
21	507938-454	Hand Wheel (Motor Drive) cpl.
22	604147-002	Motor Pulley Assembly
23	514509-830	Timing Belt Pulley Screw
24	604431-002	Motor Pulley Assembly cpl.
25	503353-000	Presser Bar Pressure Lever cpl. (see group 3 Pos. No. 17)
26	502463-000	Presser Bar Pressure Regulating Knob
27	502484-000	Presser Bar Pressure Regulating Extension Pin
28	502462-000	Tension Releasing Pin
29	502461-000	Presser Bar Guide Bracket cpl.
30	000453-830	Presser Bar Guide Bracket Set Screw
31	502362-000	Presser Bar Lifter
32	514535-451	Presser Bar Lifter Hinge Screw
33	503346-000	Presser Bar Spring
34	502360-000	Presser Bar
35	000453-830	Presser Bar Bushing Set Screw
36	506449-000	Presser Bar Bushing
37	354135-453	Presser Foot Thumb Screw
38	163706-000	Presser Foot Shank
39	502280-000	Presser Foot Plate cpl.
40	502398-000	Throat Plate for Zig-Zag Stitching
41	500311-830	Throat Plate Catch Pin Screw (2x)
42	507197-000	Throat Plate Catch Pin (left and right)
43	507196-000	Throat Plate Securing Magnet (2x)
44	502414-000	Safety Micro Switch Actuating Stud (Plastic)
45	502415-000	Safety Micro Switch cpl. with Harness
46	502413-000	Safety Micro Switch Mounting Clamp
47	514670-451	Safety Micro Switch Mounting Clamp Screw

2

1000 G3





List of Parts for 1000 Machine

Pos. No.	Part No.	Description
1	502492-000	Buttonholer Switch cpl. with Harness and Connector 604993-001, 619607, 354535-451
2	619607-000	Buttonholer Switch Harness cpl.
3	604993-001	Buttonholer Switch cpl.
4	354535-451	Buttonholer Switch Body Set Screw
5	605003-001	Buttonholer Kickout Shaft Tripping Rod (Retractable) Lever
6	506343-000	Buttonholer Switch Screw Washer
7	514650-451	Buttonholer Switch Screw
8	502495-000	Buttonholer Switch Screw Stud Washer
9	514607-000	Buttonholer Switch Screw Stud Nut
10	503286-000	Presser Bar Pressure Regulating Knob and Buttonholer Switch
11	502369-000	Bearing Plate cpl. with Harness 502369, 619605 Presser Bar Pressure Regulating Knob and Buttonholer Switch Bearing Plate cpl. 502488, 503353, 503354, 503323, 506343 (2x), 514674-451, 503289-451, 514650-451, 503323, 503356, 514635-451
12	502488-000	Bearing Plate cpl. with Stud
13	503289-451	Needle Bar Recoil Spring
14	506343-000	Needle Bar Recoil Spring Washer
15	514650-451	Needle Bar Recoil Spring Screw
16	503354-000	Presser Bar Pressure Lever Hinge Screw (Eccentric)
17	503353-000	Presser Bar Pressure Lever cpl.
18	503323-000	Chain Stitch Thread Guide
19	506343-000	Chain Stitch Thread Guide Washer
20	514674-451	Chain Stitch Thread Guide Nut
21	514635-451	Skip Stitch Actuating Solenoid Screw
22	503256-000	Skip Stitch Actuating Solenoid Plunger Stop
23	503356-000	Skip Stitch Actuating Solenoid cpl.
24	619605-000	Skip Stitch Actuating Solenoid Plunger Stop
25	514560-451	Skip Stitch Actuating Solenoid Harness cpl.
26	514656-451	Set Screw
27	619636-000	Buttonhole Switch Screw Stud
28	507890-000	Insulating Tube
29	502364-000	Ty-rap (Wire Strap)
30	506199-000	Needle Bar Vibrating Bracket Hinge Pin (Eccentric) cpl.
31	503288-000	Needle Bar Vibrating Bracket Hinge Pin (Eccentric) Retaining Ring (upper)
32	514685-451	Needle Bar Vibrating Bracket Hinge Pin (Eccentric) Collar cpl.
33	503281-000	Needle Bar Vibrating Bracket Hinge Pin (Eccentric) Collar Set Screw
34	163822-000	Needle Bar
35	502349-000	Needle Bar Clip
36	502344-000	Needle Bar Latch Carrier Spring
37	514657-000	Needle Bar Latch Carrier cpl.
38	502464-000	Needle Bar Latch Carrier Socket Screw Stud cpl.
39	514529-833	Needle Bar Latch Spring
40	502348-000	Needle Bar Latch Adjusting Pin (Eccentric) Set Screw
41	503360-000	Needle Bar Latch Releasing Lever
42	503246-000	Needle Bar Latch Releasing Lever Circular Clip
43	502324-000	Needle Bar Latch Releasing Lever Spring
44	507379-000	Needle Bar Ball Bushing (lower)
45	502485-000	Needle Bar Ball Bushing (lower) Socket (lower)
46	050311-830	Needle Bar Ball Bushing (lower) Adjusting Collar
47	502379-000	Needle Bar Ball Bushing (lower) Adjusting Set Screw
48	141453-829	Thread Guide (lower) cpl.
49	163431-000	Needle Clamp Body, Needle Clamp Thread Guide and Needle Stop Screw
50	506142-000	Needle Clamp Thread Guide
51	511171-829	Needle Clamp Body
52	511279-000	Needle Thumb Screw
		Needle Clamp cpl. 506142, 511171-829

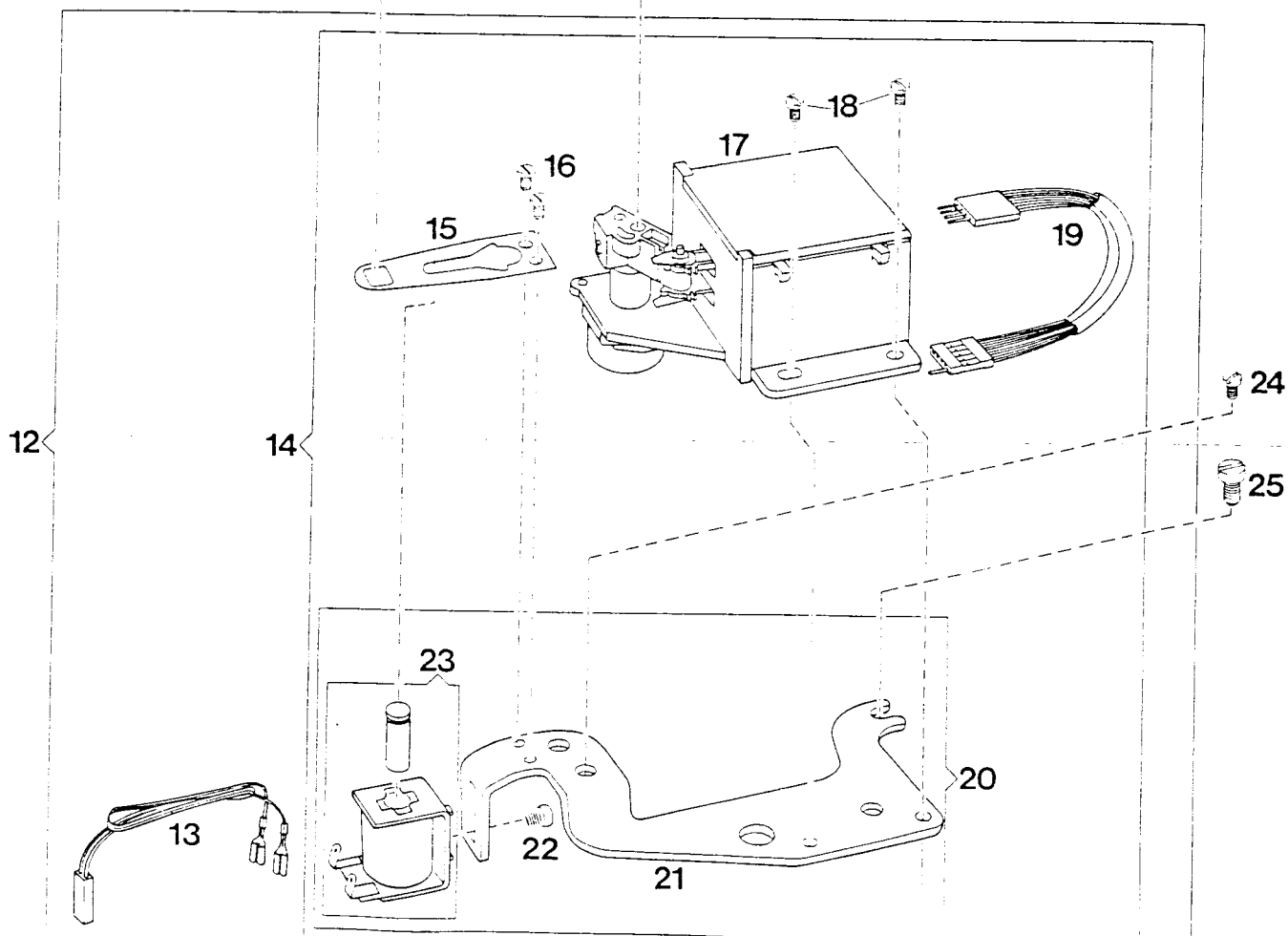
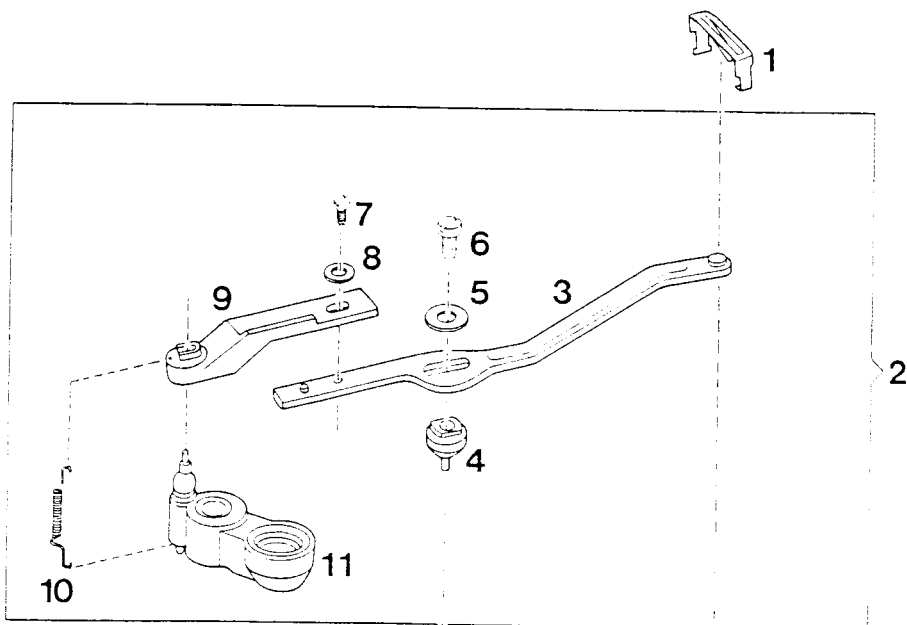
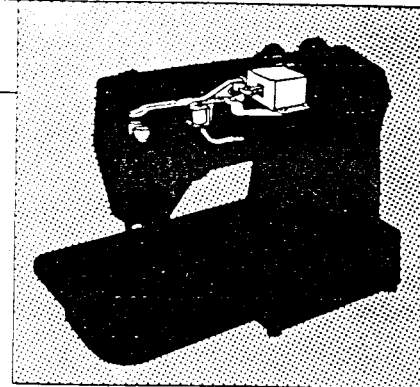
4

List of Parts for 1000 Machine

Pos. No.	Part No.	Description
1	312270-000	Needle Bar Driving Arm Extension Retaining Spring
2	503345-000	Needle Bar Vibrating Bracket with Needle Bar Driving Arm cpl. 502335, 503319, 502384, 502356, 506343, 514650-451, 502387, 155577, 514635-451
3	502384-000	Needle Bar Driving Arm cpl.
4	502387-000	Needle Bar Driving Arm Positioning Stud
5	155577-000	Needle Bar Driving Arm Positioning Stud Washer
6	514635-451	Needle Bar Driving Arm Positioning Stud Screw
7	514650-451	Needle Bar Driving Arm Ball Joint Set Screw
8	506343-000	Needle Bar Driving Arm Ball Joint Washer
9	502356-000	Needle Bar Driving Arm Ball Joint
10	503319-000	Needle Bar Driving Arm Ball Joint Spring
11	502335-000	Needle Bar Driving Bracket cpl.
12	503283-000	Bight Drive Linear Motor with Bracket, Safety Solenoid and Harness cpl. 502382, 619696
13	619606-000	Bight Drive Linear Motor Safety Solenoid Harness cpl.
14	502382-000	Bight Drive Linear Motor with Bracket and Safety Solenoid cpl. 503318, 312216, 619614, 514648-451, 382639, 514676-451
15	382639-000	Needle Bar Driving Arm Positioning Lever
16	514676-451	Needle Bar Driving Arm Positioning Lever Screw (2x)
17	312216-000	Bight Drive Linear Motor with Bight Driving Arm 312193
18	514648-451	Bight Drive Linear Motor Mounting Screw (2x)
19	619414-000	Bight Drive Linear Motor Harness (Extension)
20	503318-000	Bight Drive Linear Motor Bracket with Safety Solenoid cpl. 503383, 503372, 514671-451
21	502383-000	Bight Drive Linear Motor Bracket
22	514671-451	Needle Bar Driving Arm Safety Solenoid Screw
23	503372-000	Needle Bar Driving Arm Safety Solenoid
24	514560-451	Bight Drive Linear Motor Bracket Screw (front)
25	514680-451	Bight Drive Linear Motor Bracket Screw (back)

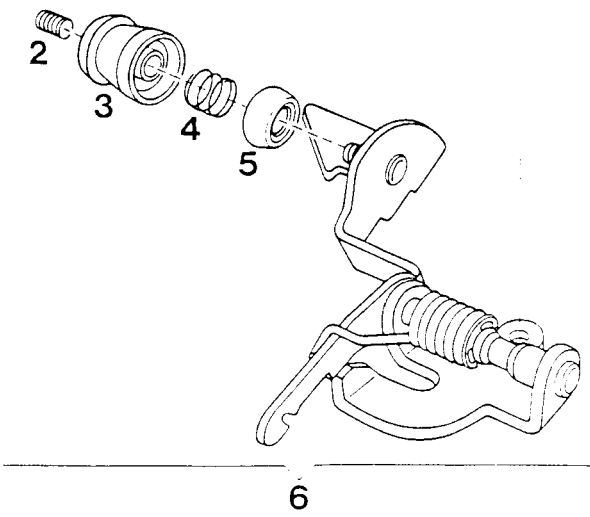
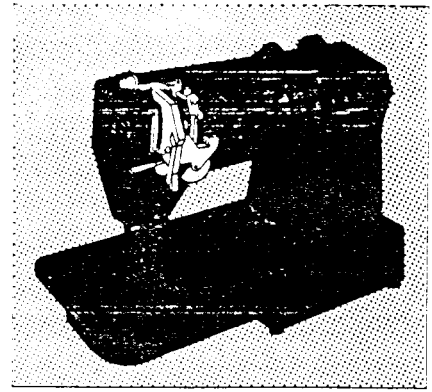
4

1000 G3

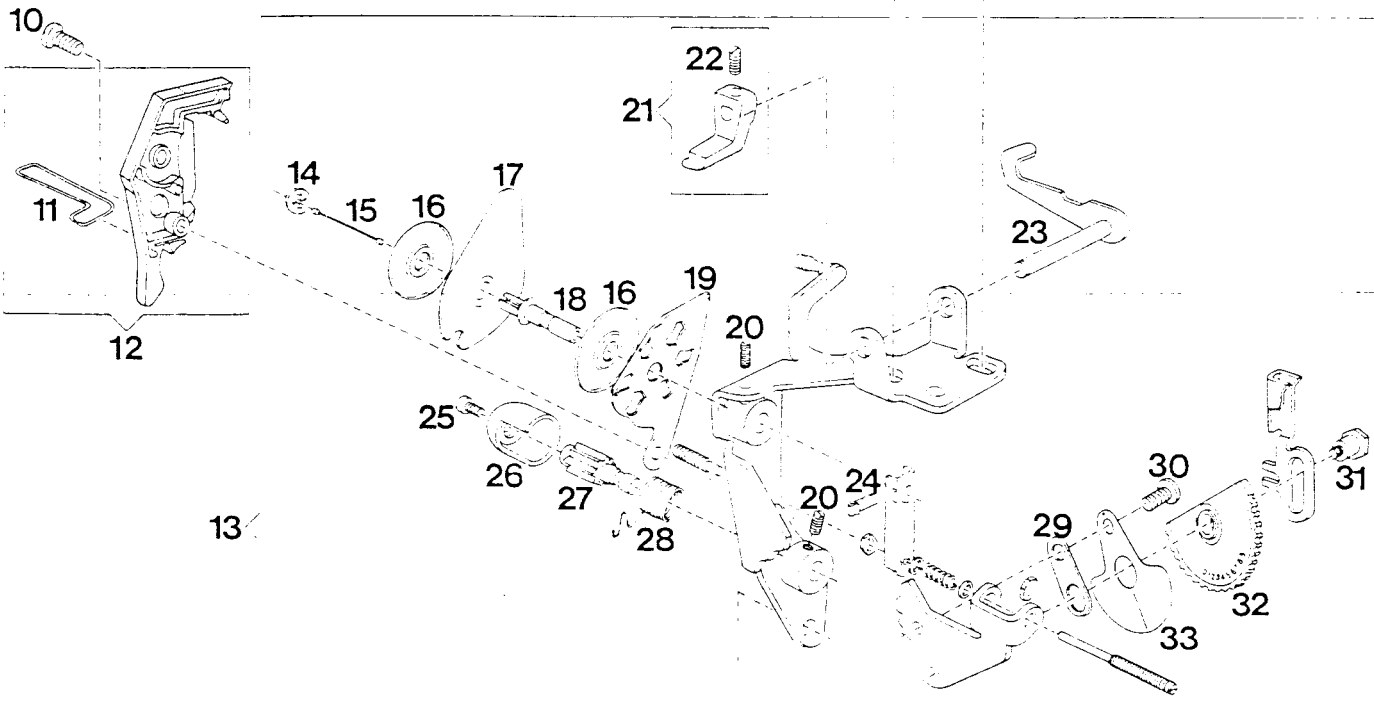


5

1000 G3



9



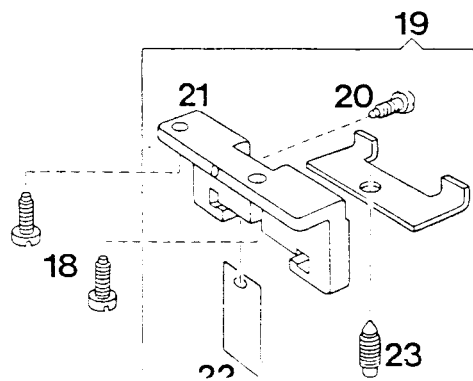
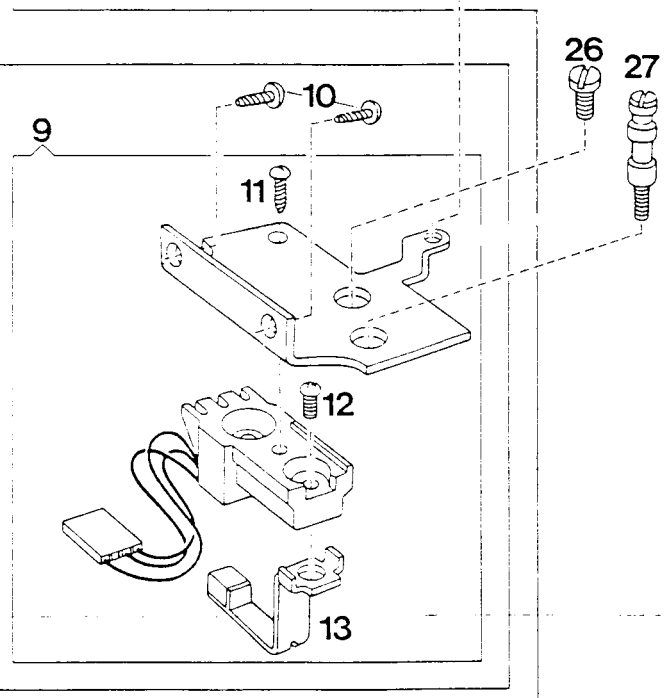
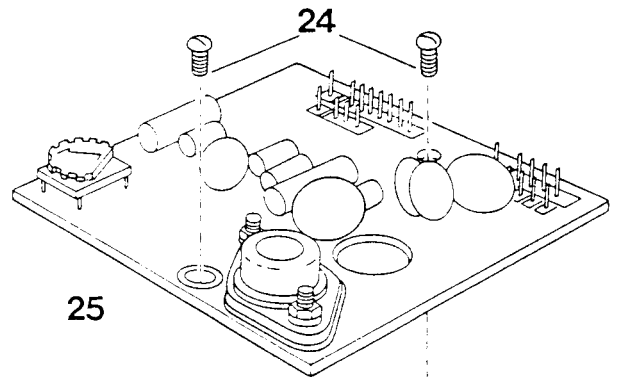
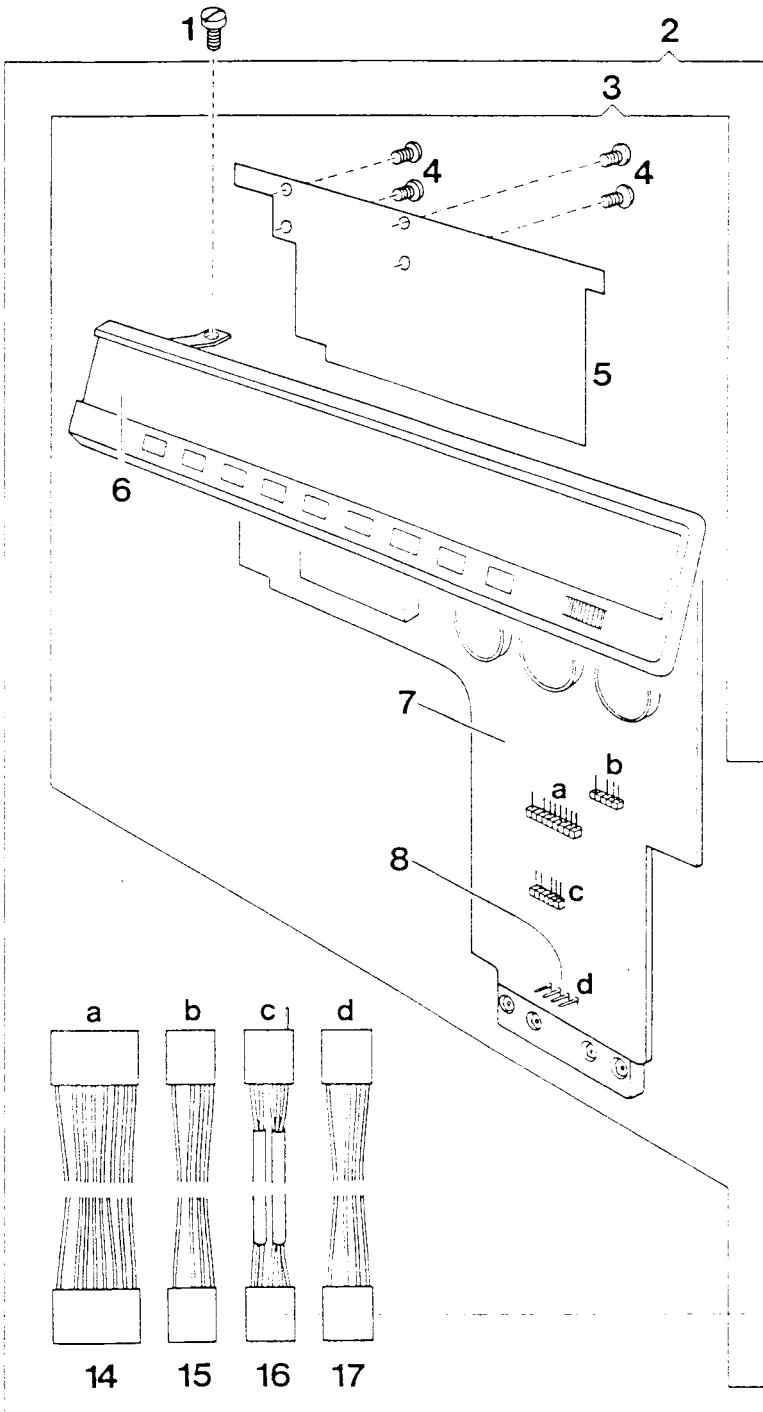
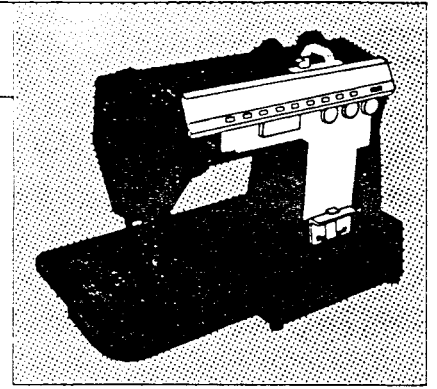
List of Parts for 1000 Machine

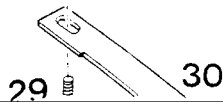
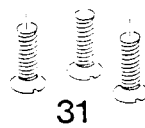
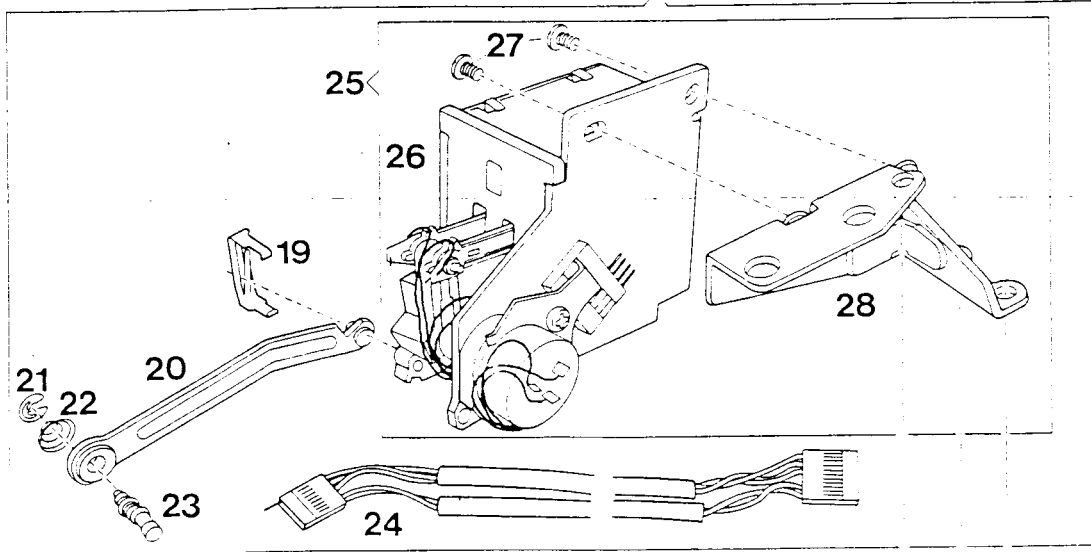
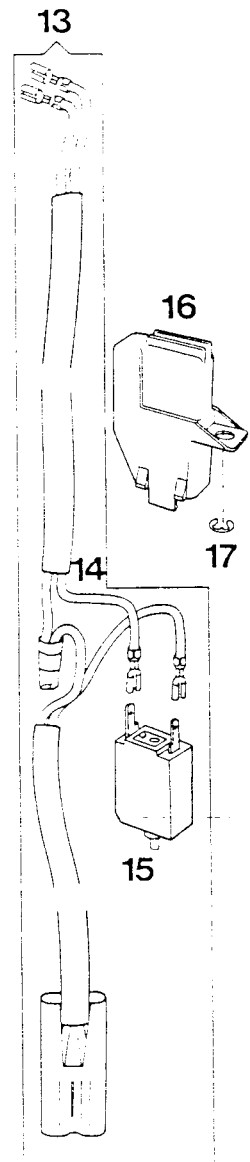
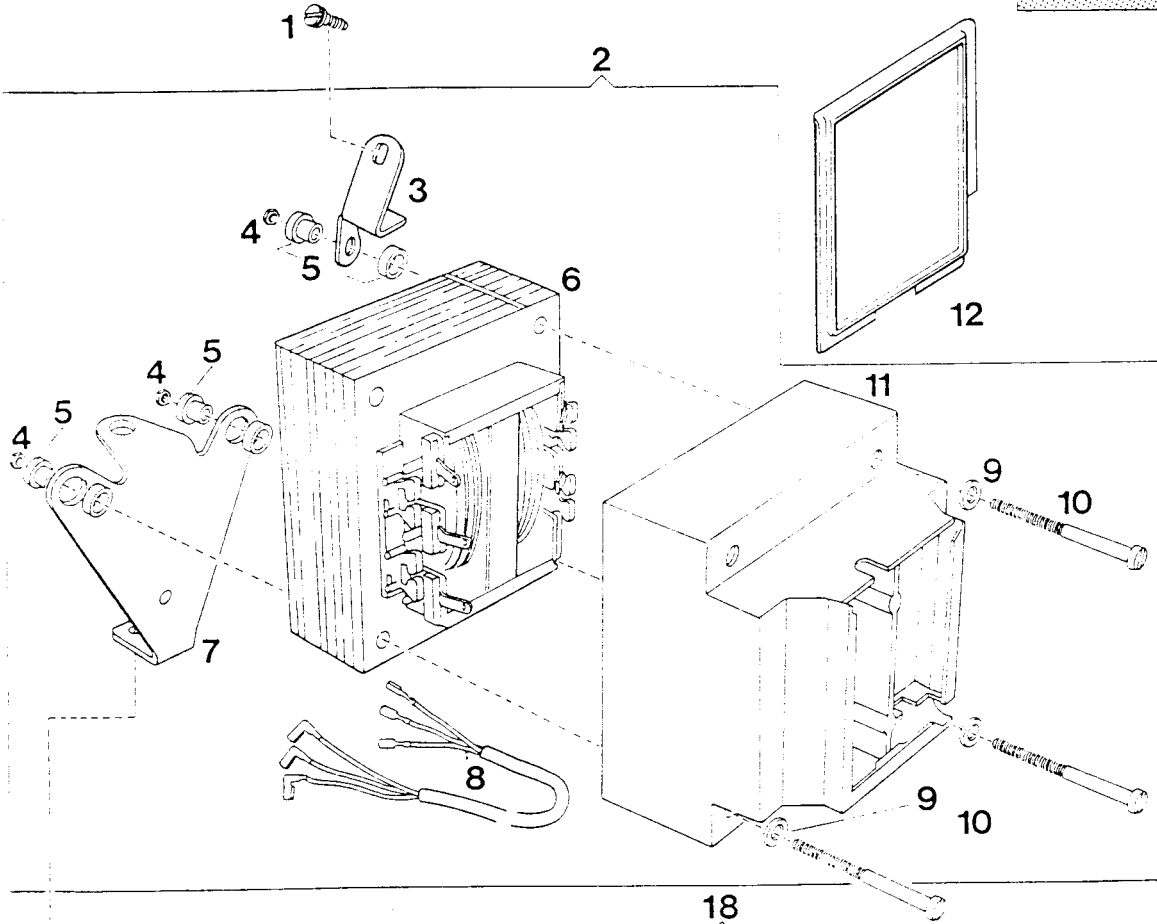
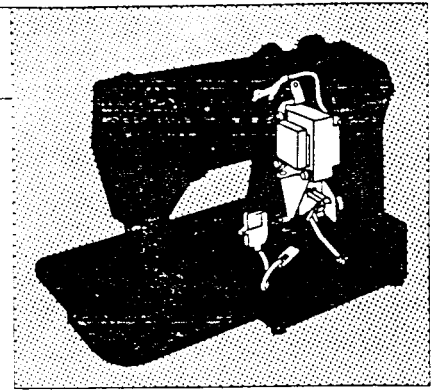
Pos. No.	Part No.	Description
1	514667-451	Pretension Mounting Screw
2	141822-451	Pretension Cap Set Screw
3	382690-000	Pretension Cap
4	174418-000	Pretension Spring
5	045915-000	Pretension Disc
6	502435-000	Pretension cpl.
7	514678-451	Tension Screw
8	514560-451	Tension Screw
9	502426-451	Tension (Graduated Adjustable) cpl. 502427-451, 502428-451, 514639-451
10	514639-451	Thread Take-up Spring Thread Guard Screw
11	502483-000	Thread Take-up Spring Thread Guard Bar
12	502428-451	Thread Take-up Spring thread Guard cpl.
13	502427-451	Tension cpl.
14	174398-000	Tension Disc Pressure Plate
15	181857-000	Tension Disc Pressure Pin
16	382586-000	Tension Disc (Small) (2x)
17	503273-000	Tension Disc (Large)
18	503270-000	Tension Stud
19	502430-451	Tension Guide Plate
20	514645-451	Tension Stud Bushing Screw (2x)
21	502424-000	Tension Releasing Lever cpl.
22	514509-830	Tension Releasing Lever Screw
23	502422-000	Tension Release Actuating Lever cpl.
24	172906-000	Tension Regulating Slide Plate Spring Clip
25	354049-451	Thread Take-up Spring Adjusting Screw
26	181864-451	Thread Take-up Spring Cap and Slack Thread Regulator
27	181875-000	Thread Take-up Spring Stud and Positioning Collar
28	181872-000	Thread Take-up Spring
29	381933-000	Tension Indicator Spacer
30	514635-451	Tension Indicator Screw
31	514669-451	Tension Indicator Dial Hinge Screw
32	181848-000	Tension Indicator Dial (with Graphics)
33	182222-000	Tension Indicator
34	514670-451	Tension Screw

List of Parts for 1000 Machine

Pos. No.	Part No.	Description
1	514664-451	Pattern Selection Button Carrier (Assy) with P. C. Board and Synchronizer Screw (front)
2	503282-000	Pattern Selection Button Carrier (Assy) with P. C. Board, Synchronizer and Harness cpl. 604836-001, 619609, 619610, 619613, 619611
3	604836-001	Pattern Selection Button Carrier (Assy) with P. C. Board and Synchronizer cpl. 604848-003, 503263-000, 604814-001, 605563-001, 604938-001, 604848-004 (2)
4	604848-003	Control P. C. Board Assy. Fastening Screw
5	503263-000	Control P. C. Board Insulation
6	605069-001	Pattern Selection Button Carrier cpl.
7	604814-001	Control P. C. Board Assembly
8	605563-001	Pin (.025 Square Post)
9	604938-001	Synchronizer Switch and Solenoid Assembly 604880-001, 604848-003, 604812-001
10	604848-004	Synchronizer Bracket Fastening Screw (2x)
11	604880-001	Solenoid Holding Block Fastening Screw
12	604848-003	Solenoid Mounting Bracket Screw
13	604812-001	Solenoid and Bracket Assembly
14	619609-000	(a) Harness cpl. P. C. Board Power Supply Board
15	619610-000	(b) Harness cpl. P. C. Board Power Supply Board
16	619613-000	(c) Harness cpl. P. C. Board Bight Drive Linear Motor
17	619611-000	(d) Harness cpl. P. C. Board Power Supply Board
18	514639-451	Transistor Heat Sink Connecting Bracket Screw (2x)
19	503274-000	Transistor Heat Sink Connecting Bracket cpl. 514650-451, 604838-002, 604877-001, 604878-001
20	514650-451	Heat Sink Clamp Retaining Spring Screw
21	604838-002	Transistor Heat Sink Connecting Bracket (Machined)
22	604877-001	Transistor Heat Sink Clamp Retaining Spring
23	604878-001	Transistor heat Sink Clamp Screw
24	604848-004	Power Supply P. C. Board Screw (back, front)
25	604829-001	Power Supply P. C. Board Assembly
26	514560-451	Pattern Selection Button Carrier (Assy) with P. C. Board and Synchronizer Screw (back)
27	514647-451	Arm Top Cover Mounting Screw

60555-001 Logic Servo Bd.





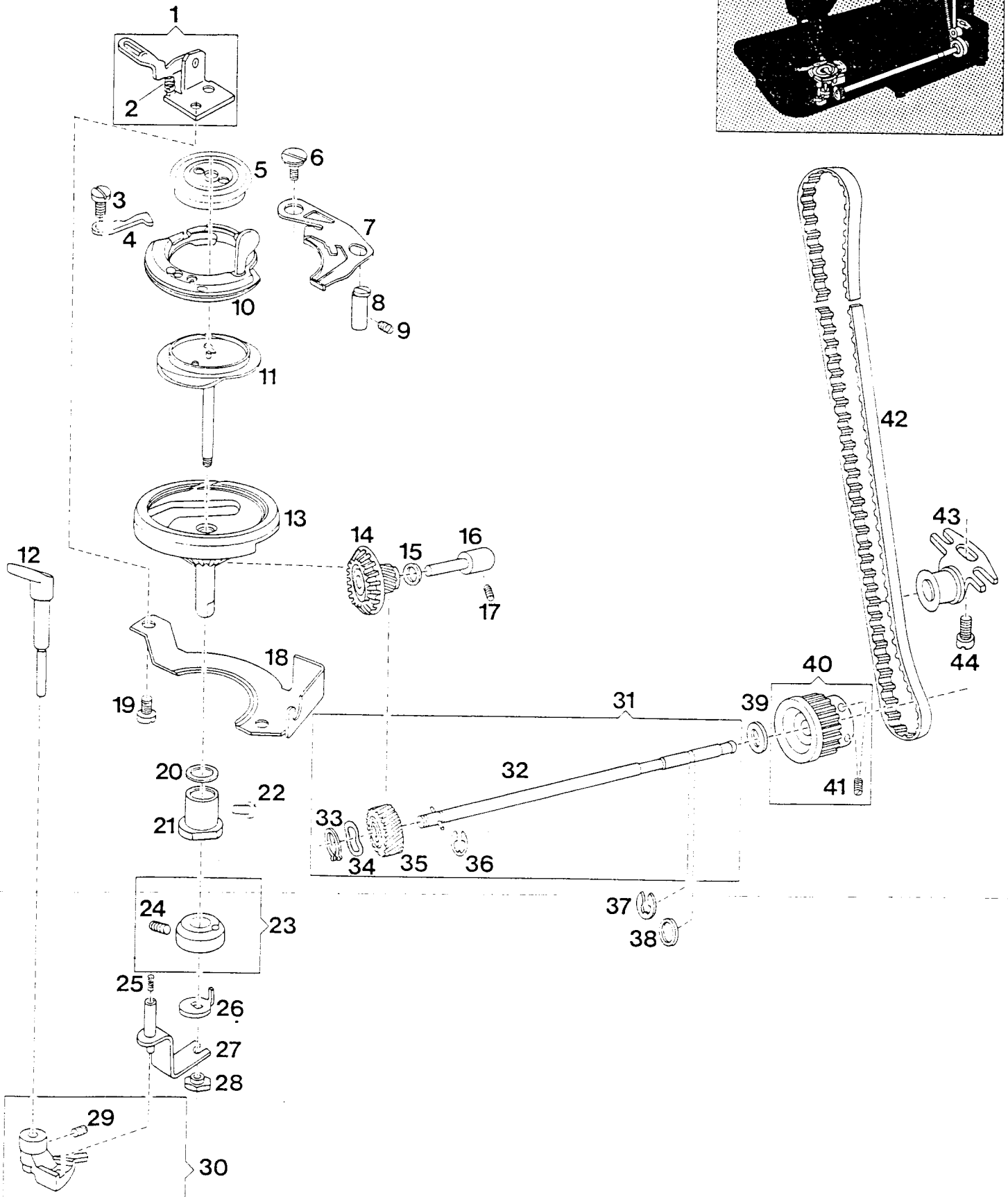
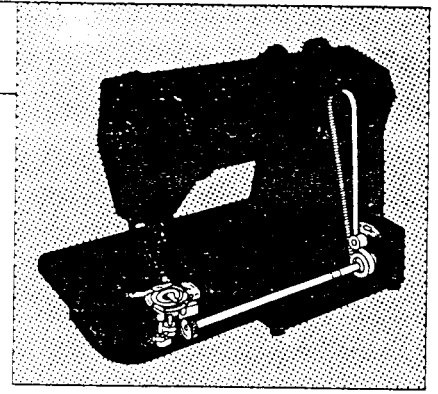
List of Parts for 1000 Machine

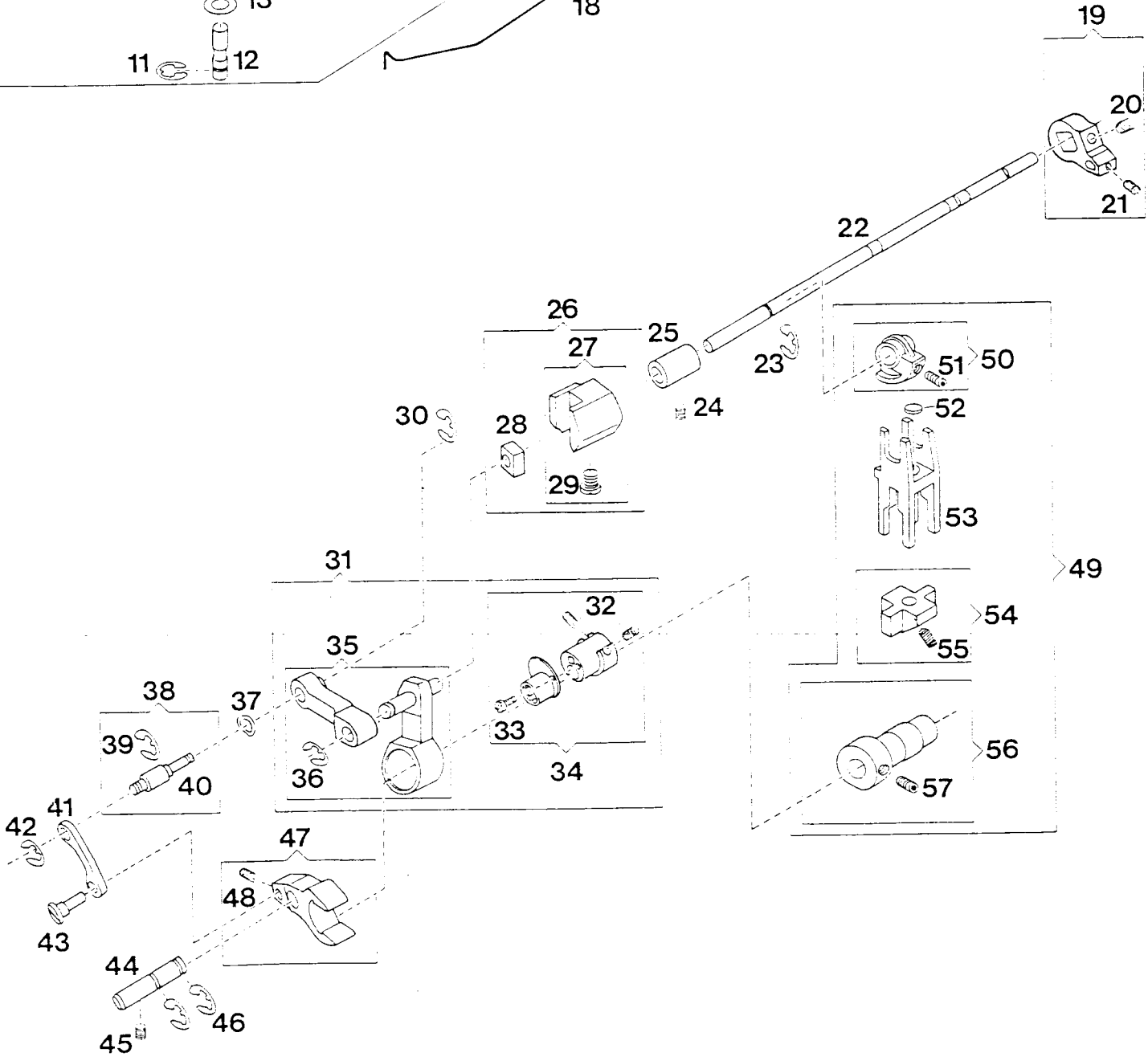
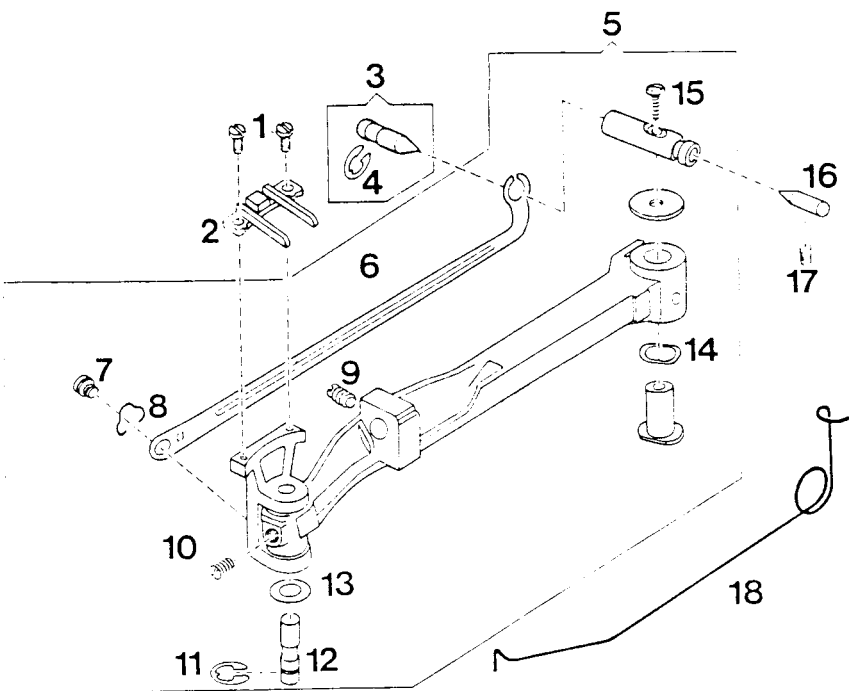
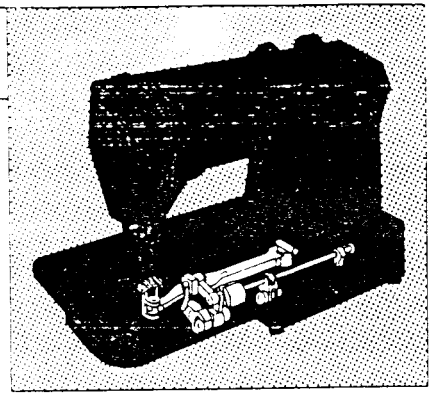
Pos. No.	Part No.	Description	
1	514670-451	Transformer Bracket (upper) Screw	
2	502409-001	Transformer cpl. 220 V. with Bracket (upper and lower)	
	502409-002	503244, 514607 (3x), 502411 (3x), 503250-001, 503316, 619615, 502495 (3x), 514660-451 (3x), 502410	
	502409-003	Transformer cpl. 240 V. with Bracket (upper and lower) (Standard)	
	502409-004	503244, 514607 (3x), 502411 (3x), 503250-002, 503316, 619615, 502495 (3x), 514660-451 (3x), 502410	
	502409-005	Transformer cpl. 120 V. with Bracket (upper and lower)	
	502409-006	503244, 514607 (3x), 502411 (3x), 503250-003, 503316, 619615, 502495 (3x), 514660-451 (3x), 502410	
	502409-007	Transformer cpl. 240 V. with Bracket (upper and lower) (Australia)	
	502409-008	503244, 514607 (3x), 502411 (3x), 503250-007, 503316, 619615, 502495 (3x), 514660-451 (3x), 502410	
	502409-009	Transformer cpl. 100 V. with Bracket (upper and lower)	
	502409-010	503244, 514607 (3x), 502411 (3x), 503250-004, 503316, 619615, 502495 (3x), 514660-451 (3x), 502410	
	502409-011	Transformer cpl. 200 V. with Bracket (upper and lower)	
	502409-012	503244, 514607 (3x), 502411 (3x), 503250-006, 503316, 619615, 502406 (3x), 514660-451 (3x), 502410	
3	503244-000	Transformer Bracket (upper)	
4	514607-000	Nut (3x)	
5	502411-000	Insulating Collar (3x)	
6	503250-001	Transformer 220 V.	
	503250-002	Transformer 240 V.	
	503250-003	Transformer 120 V.	
	503250-004	Transformer 100 V.	
	503250-005	Transformer 200 V.	
	503250-007	Transformer 240 V. Australia	
7	503316-000	Transformer Bracket (lower)	
8	619615-000	Harness cpl. Transformer Power Supply P. C. Board	
9	502495-000	Washer (3x)	
10	514660-451	Screw (3x)	
11	502410-000	Transformer Housing	
12	503262-000	Transformer Housing Cover	
			Territory Code (see page 26)
13	619626-001	Harness with Circuit Breaker cpl. 105/115 V.	A F
	-002	Harness with Circuit Breaker cpl. 220/240 V.	A B C D E F L . O P Q R S
	-003	Harness with Circuit Breaker cpl. 240 V. K
	-004	Harness with Circuit Breaker cpl. 105/115 V. G M
	-005	Harness with Circuit Breaker cpl. 200 V.	A
Part to be ordered directly from Bonnières			
14	604957-001	Harness cpl. Motor-Transformer	A B C D E F L . O P Q R S
	-002	Harness cpl. Motor-Transformer K
	-003	Harness cpl. Motor-Transformer G M
15	503247-001	Circuit Breaker 220/240 V (0.2 AMP)	A B C D E F K L . O P Q R S
	-002	Circuit Breaker 110 V (0.4 AMP)	A F G M
	-003	Circuit Breaker 200 V (0.3 AMP)	A
16	502393-000	Circuit Breaker Housing	
17	507359-000	Circuit Breaker Housing Retaining Ring	
18	503243-000	Feed Drive Linear Motor cpl.	
		312270, 502406, 502487, 503338, 503255, 619612, 503367	
19	312270-000	Feed Driving Arm Extension Retaining Spring	
20	502406-000	Feed Regulator Shaft Crank Connecting Link cpl.	
21	502487-000	Feed Regulator Shaft Crank Connecting Link Retaining Ring	
22	503338-000	Feed Regulator Shaft Crank Link Joint Spring	
23	503255-000	Feed Regulator Shaft Controlling Lever Ball Stud (eccentric)	
24	619612-000	Harness cpl. Control P. C. Board Feed Linear Motor	
25	503367-000	Feed Drive Linear Motor cpl. with Bracket 312217, 514648-451, 502402	
26	312217-000	Assembly Linear Motor Housing cpl. with Feed Driving Arm 312190	
27	514648-451	Feed Drive Linear Motor Screw	
28	502402-000	Feed Drive Linear Motor Bracket (lower)	
29	514681-451	Transformer Bracket and Linear Motor Bracket (lower) Screw	
30	503355-000	Linear Motor Bracket (lower)	
31	614682-451	Linear Motor Bracket Screw (3x)	

for linear motor see instructions at end of this section

List of Parts for 1000 Machine

Pos. No.	Part No.	Description
1	153036-000	Thread Pull-off cpl.
2	153039-000	Thread Pull-off Spring
3	514507-452	Rotating Hook Bobbin Case Position finger Screw
4	153022-000	Rotating Hook Bobbin Case Position finger
5	506417-000	Rotating Hook Bobbin cpl.
6	514561-451	Rotating Hook Bobbin Case Cushion Spring Bracket Hinge Screw
7	511477-000	Rotating Hook Bobbin Case Cushion Spring Bracket
8	153043-000	Rotating Hook Bobbin Case Cushion Spring Bracket Adjusting Stud (eccentric)
9	000624-830	Rotating Hook Bobbin Case Cushion Spring Bracket Adjusting Stud (eccentric) Set Screw
10	153143-000	Rotating Hook Bobbin Case cpl.
11	153024-000	Rotating Hook Bobbin Driver cpl.
12	153406-452	Rotating Hook Bobbin winder Lever Shaft with Lever (molded)
13	153021-000	Rotating Hook cpl.
14	155732-000	Rotating Hook Drive Bevel and Helical Gear (plastic)
15	507999-000	Rotating Hook Drive Bevel and Helical Gear Stud (eccentric) Washer
16	155729-000	Rotating Hook Drive Bevel and Helical Gear (plastic) Stud (eccentric)
17	000449-830	Rotating Hook Drive Bevel and Helical Gear Stud Set Screw
18	511317-000	Rotating Hook Drive Gear Cover Plate
19	000208-833	Thread Pull-off Mounting Bracket Screw
20	506164-000	Damping Washer
21	506173-000	Rotating Hook Flanged Bushing (eccentric)
22	514532-451	Rotating Hook Flange Bushing (eccentric) Set Screw
23	153034-C30	Rotating Hook Retaining Collar cpl.
24	000624-830	Rotating Hook Retaining Collar Set Screw
25	511175-000	Rotating Hook Bobbin Winder Actuating Lever Shaft Cam Follower Spring
26	163247-000	Rotating Hook Bobbin Driver Locator
27	153411-000	Rotating Hook Bobbin Winder Lifting Bracket Assembly cpl.
28	500799-452	Rotating Hook Bobbin Driver Locator Nut
29	514509-830	Rotating Hook Bobbin Winder Actuating Lever Shaft Screw
30	153408-000	Rotating Hook Bobbin Winder Actuating Lever Shaft Cam cpl.
31	507923-000	Feed and Rotating Hook Drive Shaft with Helical Gear cpl. 507924, 507685, 507684, 507800, 502744
32	507924-000	Feed and Rotating Hook Drive Shaft cpl.
33	507685-000	Feed and Rotating Hook Drive Shaft Helical Gear (plastic, front) Retaining Ring
34	507684-000	Feed and Rotating Hook Drive Shaft Helical Gear (plastic, front) Spring Washer
35	507800-000	Feed and Rotating Hook Drive Shaft Helical Gear (plastic, front)
36	502744-000	Feed and Rotating Hook Drive Shaft Helical Gear (plastic, front) Retaining Ring
37	502744-000	Feed and Rotating Hook Drive Shaft Retaining Ring
38	511384-000	Feed and Rotating Hook Drive Shaft Washer
39	506164-000	Damping Washer
40	507900-000	Feed and Rotating Hook Drive Shaft Belt Drive Pulley cpl.
41	514556-451	Feed and Rotating Hook Drive Shaft Belt Drive Pulley Screw (2)
42	507904-000	Feed and Rotating Hook Drive Shaft Belt
43	507903-000	Arm Shaft Belt Idler Pulley Bracket cpl.
44	514560-451	Arm Shaft Belt Idler Pulley Bracket Screw



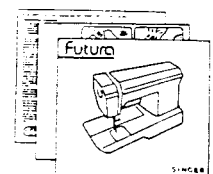
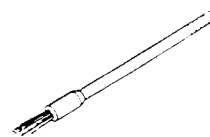
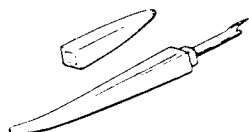
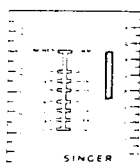
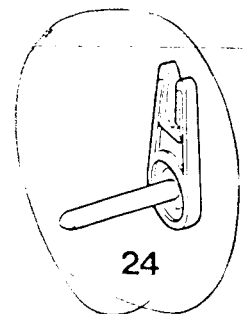
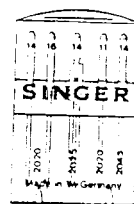
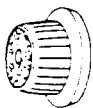
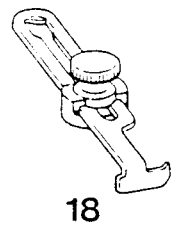
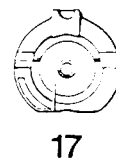
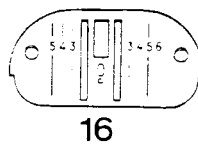
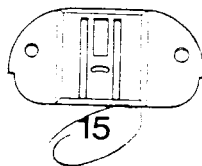
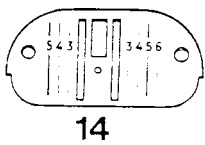
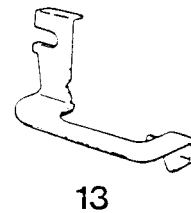
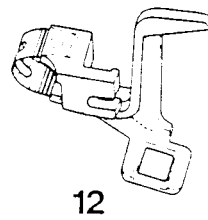
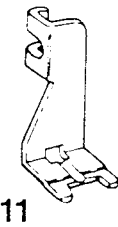
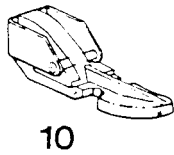
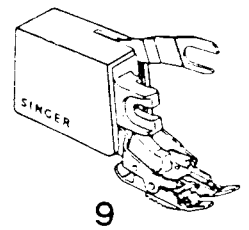
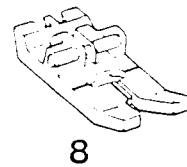
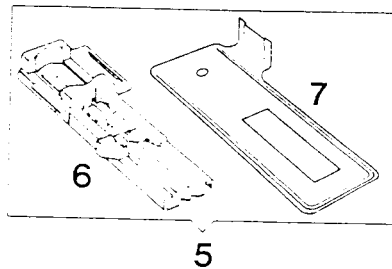
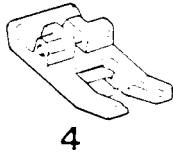
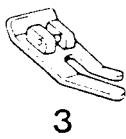
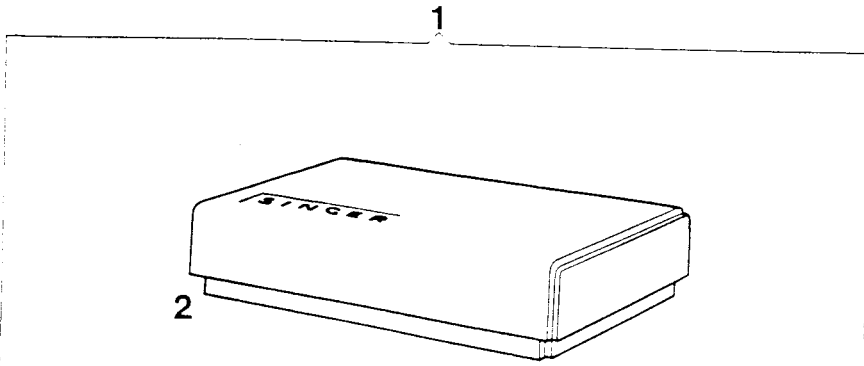
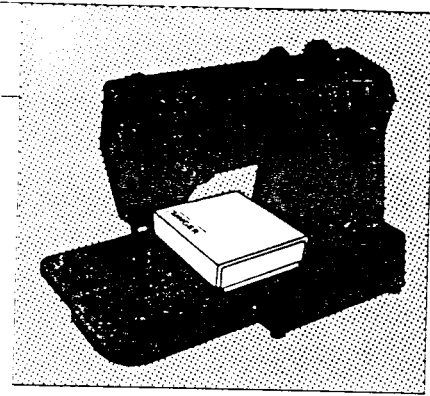


List of Parts for 1000 Machine

Pos. No.	Part No.	Description
1	000208-830	Feed Dog Screw (2x)
2	506194-000	Feed Dog (machined)
3	502310-000	Feed Bar Guide Pin (eccentric) Center cpl.
4	511213-000	Feed Bar Guide Pin (eccentric) Center (back) Retaining Ring
5	507826-000	Feed Bar cpl. 511007, 500356-850, 511075, 000448-830, 000624-830, 511213, 511052, 511210, 511211, 514677-451
6	174216-000	Feed Dog Holder Compensating Link
7	500356-850	Feed Dog Holder Compensating Link Screw Stud
8	511075-000	Feed Dog Holder Compensating Link Retaining Spring
9	000448-830	Feed Bar Connection and Feed Lifting Fork Connection Hinge Stud (eccentric) Set Screw
10	000624-830	Feed Dog Holder Stud Screw
11	511213-000	Feed Dog Holder Stud Retaining Ring
12	511052-000	Feed Dog Holder Stud
13	511210-000	Feed Dog Holder Washer
14	511211-000	Feed Bar Guide Hinge Pin Spring Washer
15	514677-451	Feed Bar Hinge Pin Fillister Screw
16	507917-000	Feed Bar Guide Pin (eccentric) Center (front)
17	514556-451	Feed Bar Guide Pin (eccentric) Center (front) Set Screw
18	503290-000	Feed Bar Guide Pin Spring
19	502403-000	Feed Regulator Shaft Controlling Lever cpl.
20	514654-451	Feed Regulating Shaft Controlling Lever Set Screw
21	514645-451	Feed Regulating Shaft Controlling Lever Stud (eccentric) Set Screw
22	502412-000	Feed Regulator Shaft
23	502744-000	Feed Regulator Shaft Retaining Ring
24	000448-830	Feed Regulator Shaft Bushing Set Screw
25	511331-000	Feed Regulator Shaft Bushing (front)
26	503344-000	Feed Regulator and Feed Regulator Slide Block cpl. 503340, 511030
27	503340-000	Feed Regulator cpl.
28	511030-000	Feed Regulator Slide Block
29	500391-803	Feed Regulator Set Screw
30	511063-000	Feed Bar Connection Ball Bearing Retaining Ring
31	507936-000	Feed Bar Connection with Eccentric cpl. 507903, 511482
32	514556-451	Feed Lifting Cam and Feed (eccentric) Set Screw (2x)
33	514632-451	Feed Lifting Cam and Feed (eccentric) Screw
34	507903-000	Feed Lifting Cam Feed (eccentric) cpl.
35	511482-000	Feed Bar Drive Connection cpl.
36	511213-000	Feed Regulator Slide Block Stud Retaining Ring
37	507722-000	Feed Bar Connection Spring Washer
38	511076-000	Feed Bar Connection and Feed Lifting Fork Connection Hinge Stud (eccentric) cpl. 511213, 511044
39	511213-000	Feed Bar Connection and Feed Lifting Fork Connection Hinge Stud (eccentric) Retaining Ring
40	511044-000	Feed Bar Connection and Feed Lifting Fork Connection Hinge Stud (eccentric)
41	511016-000	Feed Lifting Fork Connection
42	511063-000	Feed Lifting Fork Connection Retaining Ring
43	511056-000	Feed Lifting Fork Connection Hinge Stud (eccentric)
44	511057-000	Feed Lifting Fork Hinge Stud
45	000449-830	Feed Lifting Fork Hinge Stud Set Screw
46	511213-000	Feed Lifting Fork Hinge Stud Retaining Ring (2x)
47	503325-000	Feed Lifting Fork cpl.
48	514685-451	Feed Lifting Fork Connection Hinge Stud (eccentric) Set Screw
49	503369-000	Feed Regulator Shaft Stabilizer cpl. 383079, 383084, 383085, 503370, 503371
50	383079-000	Feed Regulator Shaft Locking Hub cpl. with 354574-451
51	354574-451	Feed Regulator Shaft Locking Hub Screw
52	383084-000	Feed Regulator Locking Disc
53	383085-000	Feed Regulator Lock Guide
54	503370-000	Feed Regulator Shaft Brake Adjusting Block cpl. with 514684-451
55	514684-451	Feed Regulator Shaft Brake Adjusting Block Screw
56	503371-000	Feed Lock Cam cpl. with 514556-451
57	514556-451	Feed Lock Cam Screw

List of Parts for 1000 Machine

Pos. No.	Part No.	Description
1	502446-000	Attachment Set cpl. Packed in Attachment Box No. 506206-451, 502277, 171463, 381164-451, 506377, 506415-452, 171480, 381066, 507909, 171110, 506230, 502458, 506231, 507742, 161172, 511112-451, 507664-454, 503277, 381275, 506417, 381114-451, 511267, 503407, 161977-452, 501750, and 503297
2	506206-451	Attachment Box cpl.
3	502277-000	Straight Stitch Presser Foot Plate cpl.
4	171463-000	Special Purpose Presser Foot Plate (Snap-on Plastic) cpl.
5	381164-451	Buttonhole Presser Foot (1-step) cpl. 381261-451 and 507827
6	381261-451	Buttonhole Presser Foot (1-step) cpl.
7	507827-000	Feed Plate cpl.
8	506377-000	Buttonhole Presser Foot Plate cpl.
9	506415-452	Even Feed Foot cpl.
10	171480-000	Presser Foot Plate for Cording and Slide Fasteners cpl.
11	381066-000	Presser Foot for Button Sewing
12	507909-000	Darning and Embroidery Foot
13	171110-000	Blind Stitch Guide
14	506230-000	Throat Plate for Straight Stitch
15	502458-000	Feed Cover Plate for Darning
16	506231-000	Throat Plate for Chainstitch cpl.
17	507742-000	Chainstitch Loop Retaining Insert
18	161172-000	Seam Guide
19	511112-451	Arm Top Cover Spool Pin Thread Lead-off cpl.
20	507664-454	Arm Top Cover Spool Pin Thread Lead-off (small)
21	503277-000	Needle Threader cpl.
22	381275-000	Needle Pack (Plastic) Containing: Cat. 2020 size 11, 14, 16 Cat. 2025 size 14 Cat. 2045 size 14
23	506417-000	Rotating Hook Bobbin (4x)
24	381114-451	Spool Pin for Twin Needle Sewing
25	511267-000	Buttonhole Size Marking Template
26	503407-000	Seam Ripper
27	161977-452	Screw Driver (Hook Tension)
28	501750-000	Lint Brush
29	503297-	Instruction Form



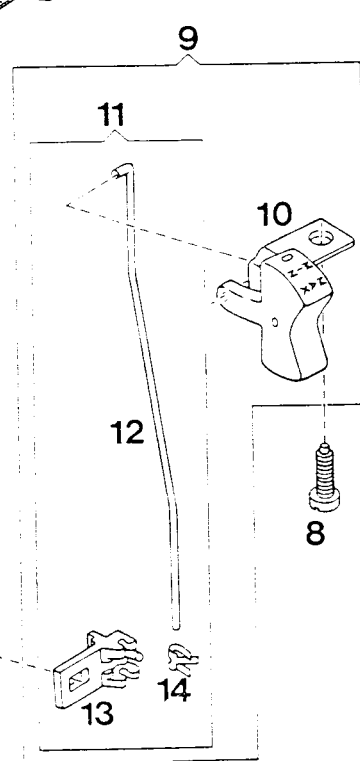
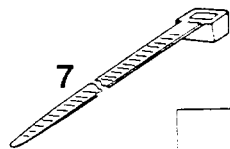
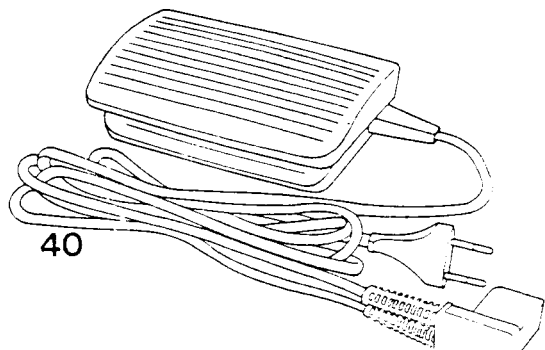
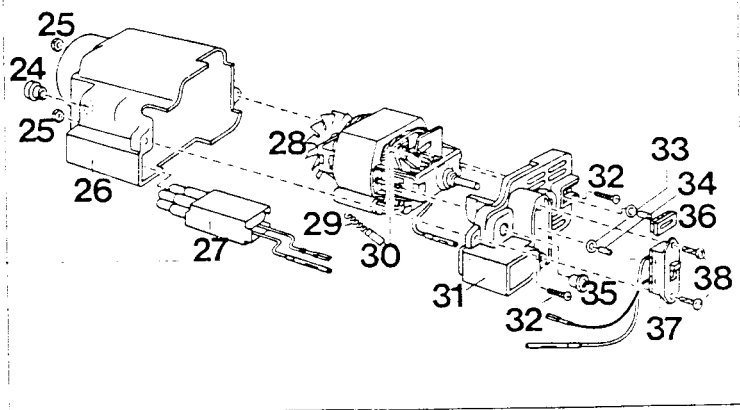
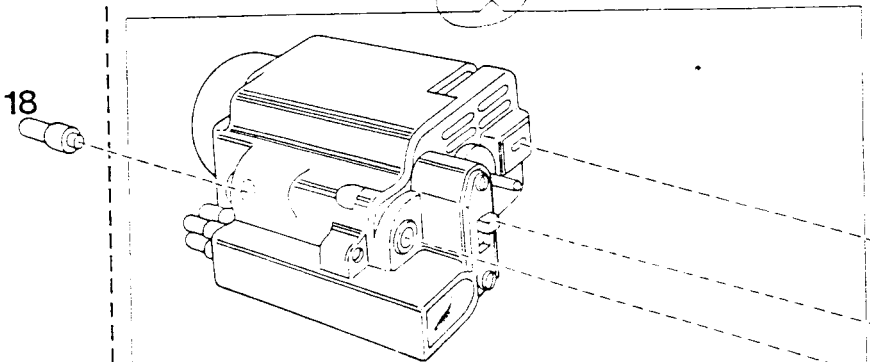
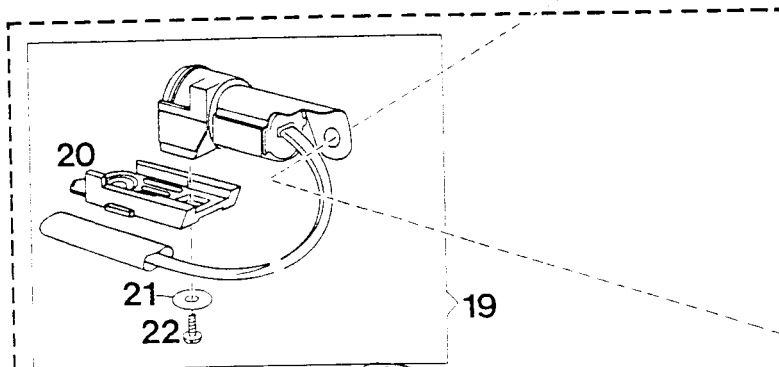
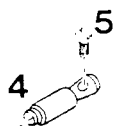
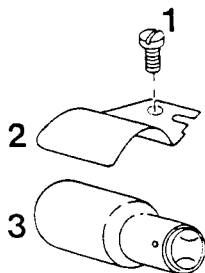
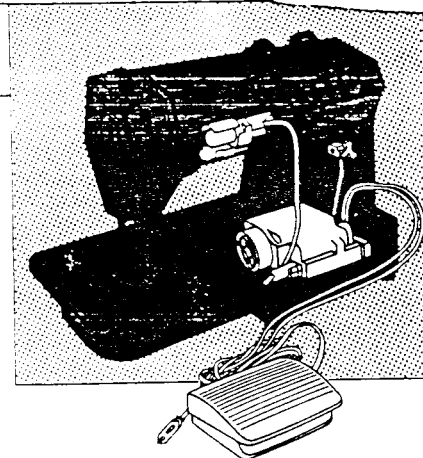
25

26

27

28

29



>39

List of Electrical Parts for Class 1000 G 3

Pos. No.	Part No.	Description
1	514541-451	Light Shield Screw
2	502394-000	Light Shield
3	194120-007	Bulb 120 Volt 15 W
	-010	Bulb 220 Volt 20 W
	-012	Bulb 250 Volt 20 W
	-013	Bulb 110 Volt 20 W
4	502396-000	Sewing Light Stud
5	514639-451	Sewing Light Stud Screw
6	507878-000	Sewing Light Stud Spring Clip
7	507890-000	Ty-rap (Wire Strap)
8	514639-451	Light Switch-Actuating Lever Rocker Button Bracket Screw
9	502481-451	Light Switch Rocker Button with Actuating Lever and Actuating Bracket (plastic) cpl. 502475-451, 503271
10	502475-451	Light Switch Actuating Lever Rocker Button cpl.
11	503271-000	Light Switch Actuating Lever with Actuating Bracket cpl. 502477, 502479, 382330
12	502477-000	Light Switch Actuating Lever
13	502479-000	Light Switch Actuating Bracket (plastic)
14	382330-000	Light Switch Actuating Lever Spring Clip
15	507930-000	Motor Adjusting Stud (ecc.)
16	514556-451	Motor Adjusting Stud (ecc.) Screw
17	502437-451	Motor Hinge Screw
18	502438-000	Motor Hinge Stud

Parts to be ordered directly from Bonnieres

Territory Code (see Page 26)

A B C D E F . . . K L . O P Q R S
G . . M

604530 c03

Mfr. 97942303 N) Brkt.

19	604891-001	Light complete	
	-002	Light complete	
	-003	Light complete	
20	618622-000	Light Lens	
21	931929-035	Washer	
22	618702-002	Screw	
23	604879-001	Motor Complete 220 V	
	-002	Motor Complete 115 V	
	-003	Motor Complete 105 V	
	-004	Motor Complete 240 V	A . . . E F . . . L . O P . R S
	-005	Motor Complete 220 V	A M
	-006	Motor Complete 240 V	A B C D Q
	-007	Motor Complete 115 V	A . C K
	-008	Motor Complete 115 V	
24	604229-001	Bushing (see rep. 35)	
25	706404-017	Nut (2x) No. 4-40	
26	604249-002	Dust Cover	
27	604882-001	Receptacle cpl.	
	-006	Receptacle cpl. 115 V.	
	-007	Receptacle cpl.	A B C D E F . . . L M O P Q R S
28	604411-001	Motor Module 220 V	
	-002	Motor Module 115 V	
	-003	Motor Module 105 V	
	-004	Motor Module 240 V	A . . . E F . . . L . O P . R S
	-005	Motor Module 220 V	A M
	-006	Motor Module 240 V	A B C D Q
	-007	Motor Module 115 V	A . C K
29	619436-001	Brush Spring (2x)	
30	619435-004	Brush (2x)	
31	604250-002	Commutator End Housing	
32	140677-003	Round Head Screw (2x) No. 4-40	
33	604018-003	Washer (2x)	
34	603907-001	Nut (2x)	
35	604229-001	Bushing (see rep. 24)	
36	604228-001	Bushing	
37	604886-001	Switch Complete	
38	618634-002	Switch Retaining Screw (2x)	
39	619494-002	Univ. Controller 115 V	
	-003	Univ. Controller 220 V	
	-004	Univ. Controller 105/115 V	B G
	-005	Univ. Controller 220/240 V	A
	-006	Univ. Controller 240 V	A
	-009	Univ. Controller 220 or 240 V	
	-076	Univ. Controller 115 V	
	-079	Univ. Controller 220/240 V	C K
	-082	Univ. Controller 220/240 V	
	-091	Univ. Controller 220 V	
	-120	Univ. Controller 115 V	D E F O P Q
	604174-002	Univ. Controller 240 V	
40	604874-000	Cords for CR 303 Universal Controller	L M R S

MARKETING TERRITORIES (Territory Code)

A 105 V/115 V - 220 V/240 V

- Aden
- Antilles
- Bahrain
- Burma
- Cambodia
- Cameroons
- Ceylon
- Congo
- Equat. E. Africa
- Ethiopia
- Ghana
- Guiana
- High Volta
- Hong-Kong
- India
- Indonesia
- Iran
- Iraq
- Italian Somaliland
- Ivory Coast
- Jordan
- Kenya
- Korea
- Kuwait
- Lebanon
- Laos
- Liberia
- Libya
- Madagascar
- Malaya
- Mali
- Mauritius
- Marocco
- Niger
- Nigeria
- Pakistan
- Portuguese E. Africa
- Portuguese W. Africa
- Rhodesia
- Saudi Arabia
- Sierra Leone
- Sudan
- Surinam
- Tanzania
- Taiwan
- Tangiers
- Thailand
- Togoland
- Tunisia
- Uganda
- United Arab Rep.
- Vietnam

B 220 V

South Africa

C 220 V/240 V

New Zealand

D 240 V

Great Britain
Malta

E 220 V

Switzerland

F 220 V

Finland
Germany

G 120 V

Canada
United States

H 120 V

Central America
Mexico
Philippines
South America (exc. Guiana)
West Indies

K 240 V

Australia

L 220 V

Norway

M 100 V

Japan

O 220 V

Austria

P 220 V

Albania
Belgium
France
Greece
Iceland
Italy
Luxembourg
Monaco
Netherlands
Portugal
Spain
Turkey & Cyprus
Yugoslavia
Israel

Q 240 V

Cyprus

R 220 V

Denmark
Sweden

S 220 V

Eire